

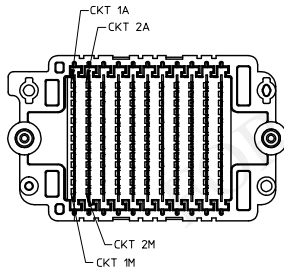
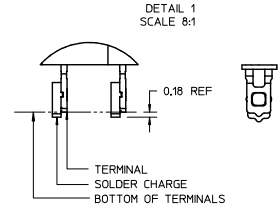
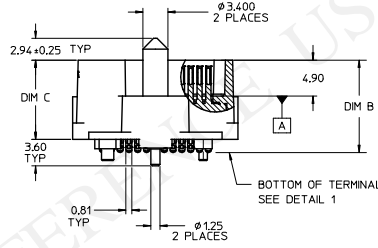
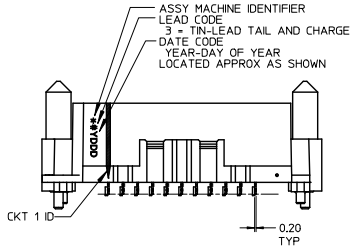
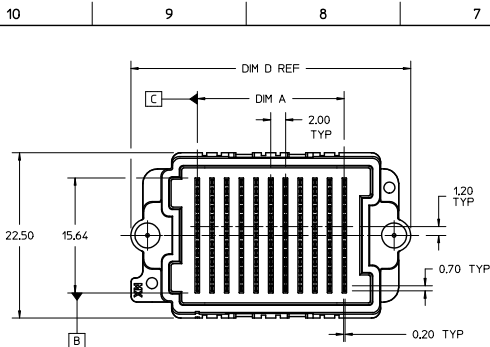
Excellent Integrated System Limited

Stocking Distributor

Click to view price, real time Inventory, Delivery & Lifecycle Information:

[Molex Connector Corporation](#)
[0458301111](#)

For any questions, you can email us directly:
sales@integrated-circuit.com



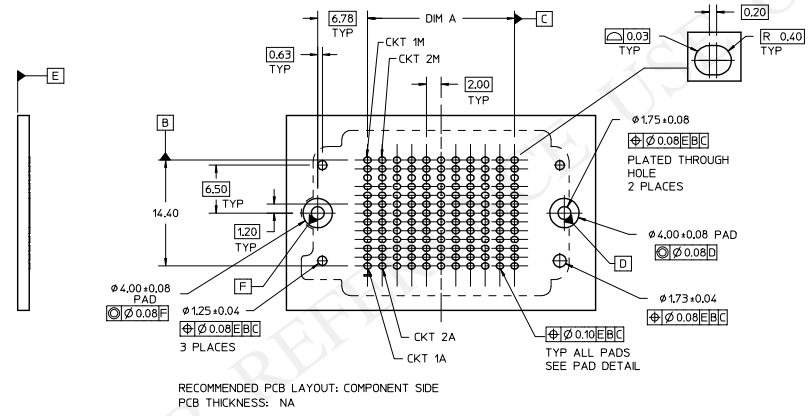
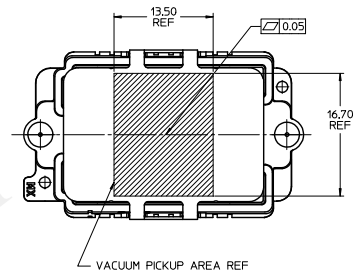
NOTES:

- HOUSING MATERIAL: LIQUID CRYSTAL POLYMER, GLASS FILLED, UL 94V-0, BLACK
CONTACT MATERIAL: HIGH PERFORMANCE COPPER ALLOY
SOLDER NAIL MATL: STAINLESS STEEL
SOLDER CHARGE MATL: 63% TIN, 37% LEAD
- FINISH:
CONTACT AREA: 0.76 MICROMETER (30 MICROINCH) MINIMUM GOLD
TAIL AREA: 2.54 MICROMETER (100 MICROINCH) MINIMUM 90/10 TIN-LEAD
ENTIRE TERMINAL: NICKEL UNDERPLATE
- PRODUCT SPEC: PS-45802-001
- COSMETIC SPEC: PS-45499-002 CLASS B
- PACKAGING SPEC: PK-45830-001 MOLEX STANDARD TRAYS
- DATUM -C- IS THE CENTERLINE OF THE 2 END SLOTS, END SLOT CENTERLINES ARE ESTABLISHED USING 2 MEASUREMENTS FOR EACH SLOT TAKEN 7.28 EITHER SIDE OF DATUM -B-.
- THERE ARE 13 CIRCUITS PER ROW

| | | | | | | | | |
|--|--------------------------------------|--|----|----------------------------|--|--------------------|---|------------------------|
| INITIAL RELEASE EC NO: IUCP2016-2554 DRAWN BY: TIBARRA 2015/12/21 CHKD BY: BBARKER 2015/12/21 APPR: TIBARRA 2016/01/27 | QUALITY SYMBOLS ▽=0 ▽=0 ▽=0 | GENERAL TOLERANCES (UNLESS SPECIFIED) | | DIMENSION STYLE MM ONLY | | SCALE 2:1 | DESIGN UNITS METRIC | THIRD ANGLE PROJECTION |
| | | | mm | INCH | DRAWN BY TIBARRA | DATE 2015/12/21 | TITLE HIGH DENSITY MEZZANINE PLUG ASSEMBLY TIN-LEAD TAILS, CHARGES | |
| | | 4 PLACES ± | ± | ± | CHECKED BY BBARKER | DATE 2015/12/21 | | |
| | | 3 PLACES ± | ± | ± | APPROVED BY TIBARRA | DATE 2016/01/27 | | |
| | | 2 PLACES ± | ± | ± | MATERIAL NO. SEE TABLE | | DOCUMENT NO. RSD-45830-0001 | SHEET NO. 1 OF 2 |
| | | 1 PLACE ± | ± | ± | THIS DRAWING CONTAINS INFORMATION THAT IS PROPRIETARY TO MOLEX INCORPORATED AND SHOULD NOT BE USED WITHOUT WRITTEN PERMISSION | | | |
| | | 0 PLACE ± | ± | ± | | | | |
| | | ANGULAR ±1/2° | | | | | | |
| | | DRAFT WHERE APPLICABLE MUST REMAIN WITHIN DIMENSIONS | | | | | | |

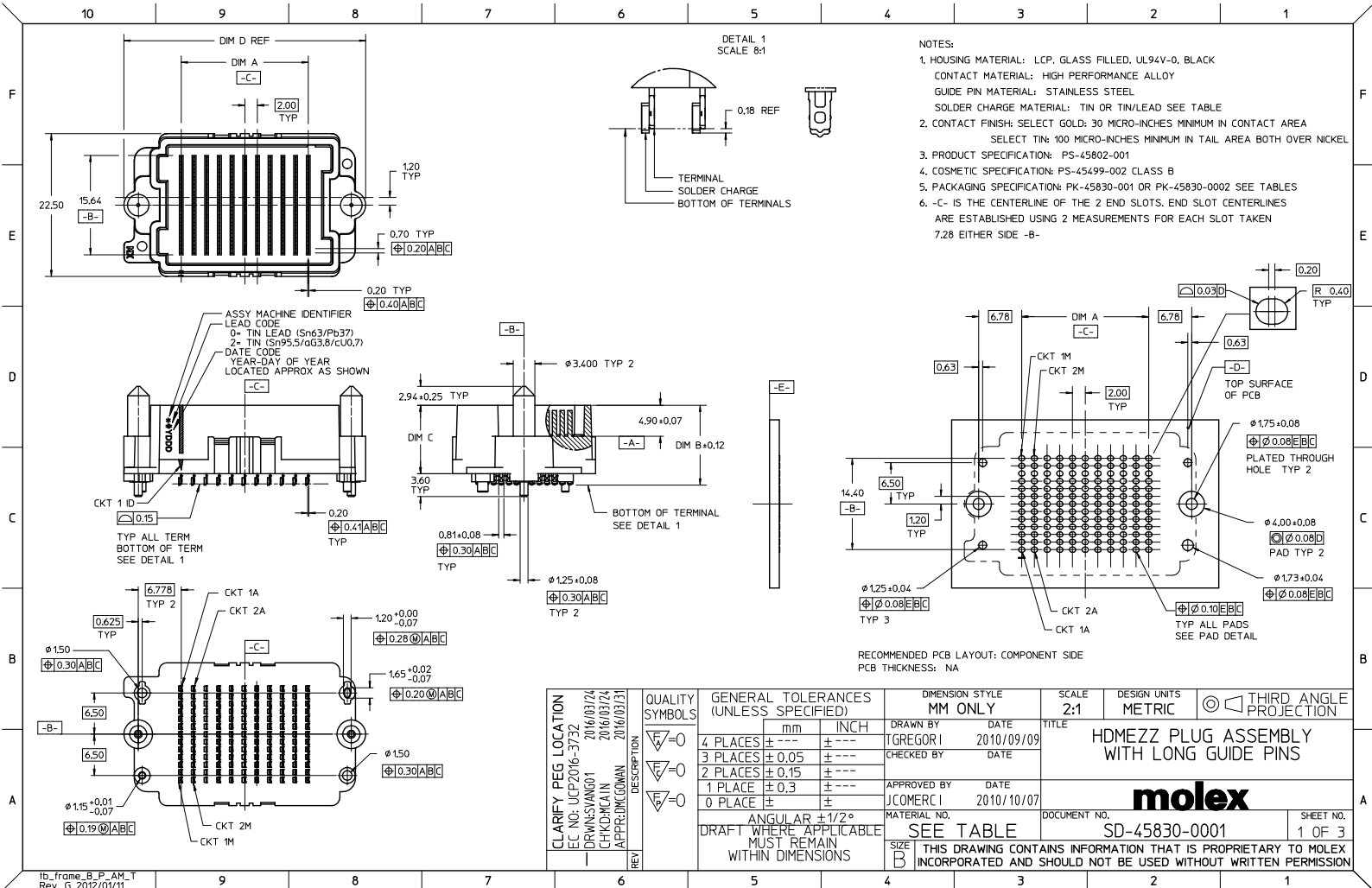
TIN / LEAD PARTS
LEAD CODE = "0"

| STACK HEIGHT: | 8mm | 9mm | 10mm | 11mm | 12mm | 13mm | 14mm | 15mm | 17mm | 18mm |
|---------------|-------|-------|-------------|-------------|-------------|-------------|-------------|-------------|-------------|-------------|
| DIM B | 10.41 | 11.41 | 12.41 | 13.41 | 14.41 | 15.41 | 16.41 | 17.41 | 19.41 | 20.41 |
| DIM C | 8.80 | 9.80 | 10.80 | 11.80 | 12.80 | 13.80 | 14.80 | 15.80 | 17.80 | 18.80 |
| ROWS | DIM A | DIM D | MATERIAL NO | MATERIAL NO | MATERIAL NO | MATERIAL NO | MATERIAL NO | MATERIAL NO | MATERIAL NO | MATERIAL NO |
| 7 | 12.00 | 30.06 | | | | | | | | |
| 9 | 16.00 | 34.06 | | | | | | | | |
| 11 | 20.00 | 38.06 | | | 45830-2111 | | | | | |
| 13 | 24.00 | 42.06 | | | | | | | | |
| 15 | 28.00 | 46.06 | | | | | | | | |
| 17 | 32.00 | 50.06 | | | | | | | | |
| 19 | 36.00 | 54.06 | | | | | | | | |
| 21 | 40.00 | 58.06 | | | | | | | | |
| 23 | 44.00 | 62.06 | | | | | | | | |
| 25 | 48.00 | 66.06 | | | | | | | | |
| 27 | 52.00 | 70.06 | | | | | | | | |

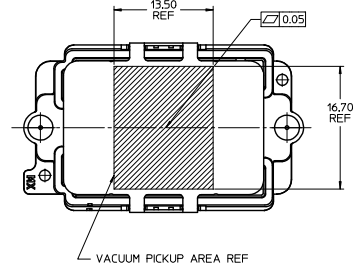


RECOMMENDED PCB LAYOUT: COMPONENT SIDE
PCB THICKNESS: NA

| | | | | | | | | | |
|---|--------------------------------------|--|--|---|--|--|--------------|------------------------|--|
| SEE SHEET 1 EC NO: UCP2016-2554 DRAWN: IBARRA 2015/12/21 CHKD: BBARKER 2015/12/21 APPR: IBARRA 2016/01/27 | QUALITY SYMBOLS ▽=0 ▽=0 ▽=0 | GENERAL TOLERANCES (UNLESS SPECIFIED) | | DIMENSION STYLE | | SCALE | DESIGN UNITS | THIRD ANGLE PROJECTION | |
| | | | | MM ONLY | | 2:1 | METRIC | | |
| | | | | DRAWN BY DATE | | TITLE | | | |
| | | | | CHECKED BY DATE | | HIGH DENSITY MEZZANINE PLUG ASSEMBLY TIN-LEAD TAILS, CHARGES | | | |
| | | APPROVED BY DATE | | MATERIAL NO. | | DOCUMENT NO. | | SHEET NO. | |
| | | IBARRA 2016/01/27 | | SEE TABLE | | RSD-45830-0001 | | 2 OF 2 | |
| | | ANGULAR ±1/2° DRAFT WHERE APPLICABLE MUST REMAIN WITHIN DIMENSIONS | | THIS DRAWING CONTAINS INFORMATION THAT IS PROPRIETARY TO MOLEX INCORPORATED AND SHOULD NOT BE USED WITHOUT WRITTEN PERMISSION | | | | | |



| | | 10 | 9 | 8 | 7 | 6 | 5 | 4 | 3 | 2 | 1 | | |
|-------------------------------------|---------------|-------|------------|-------------|-------------|-------------|-------------|-------------|-------------|-------------|-------------|-------------|------------|
| TIN / LEAD PARTS LEAD CODE = "0" | STACK HEIGHT: | | 8mm | 9mm | 10mm | 11mm | 12mm | 13mm | 14mm | 15mm | 17mm | 18mm | |
| | DIM B | | 10.41 | 11.41 | 12.41 | 13.41 | 14.41 | 15.41 | 16.41 | 17.41 | 19.41 | 20.41 | |
| | DIM C | | 8.80 | 9.80 | 10.80 | 11.80 | 12.80 | 13.80 | 14.80 | 15.80 | 17.80 | 18.80 | |
| | ROWS | DIM A | DIM D | MATERIAL NO | MATERIAL NO | MATERIAL NO | MATERIAL NO | MATERIAL NO | MATERIAL NO | MATERIAL NO | MATERIAL NO | MATERIAL NO | |
| | 7 | 12.00 | 30.06 | 45830-0007 | 45830-3007 | 45830-2007 | 45830-8007 | 45830-4007 | 45830-9007 | 45830-6007 | 45830-7007 | 45830-5007 | 45830-1007 |
| | 9 | 16.00 | 34.06 | 45830-0009 | 45830-3009 | 45830-2009 | 45830-8009 | 45830-4009 | 45830-9009 | 45830-6009 | 45830-7009 | 45830-5009 | 45830-1009 |
| | 11 | 20.00 | 38.06 | 45830-0011 | 45830-3011 | 45830-2011 | 45830-8011 | 45830-4011 | 45830-9011 | 45830-6011 | 45830-7011 | 45830-5011 | 45830-1111 |
| | 13 | 24.00 | 42.06 | 45830-0013 | 45830-3013 | 45830-2013 | 45830-8013 | 45830-4013 | 45830-9013 | 45830-6013 | 45830-7013 | 45830-5013 | 45830-1013 |
| | 15 | 28.00 | 46.06 | 45830-0015 | 45830-3015 | 45830-2015 | 45830-8015 | 45830-4015 | 45830-9015 | 45830-6015 | 45830-7015 | 45830-5015 | 45830-1015 |
| | 17 | 32.00 | 50.06 | 45830-0017 | 45830-3017 | 45830-2017 | 45830-8017 | 45830-4017 | 45830-9017 | 45830-6017 | 45830-7017 | 45830-5017 | 45830-1017 |
| 19 | 36.00 | 54.06 | 45830-0019 | 45830-3019 | 45830-2019 | 45830-8019 | 45830-4019 | 45830-9019 | 45830-6019 | 45830-7019 | 45830-5019 | 45830-1019 | |
| 21 | 40.00 | 58.06 | 45830-0021 | 45830-3021 | 45830-2021 | 45830-8021 | 45830-4021 | 45830-9021 | 45830-6021 | 45830-7021 | 45830-5021 | 45830-1021 | |
| 23 | 44.00 | 62.06 | 45830-0023 | 45830-3023 | 45830-2023 | 45830-8023 | 45830-4023 | 45830-9023 | 45830-6023 | 45830-7023 | 45830-5023 | 45830-1023 | |
| 25 | 48.00 | 66.06 | 45830-0025 | 45830-3025 | 45830-2025 | 45830-8025 | 45830-4025 | 45830-9025 | 45830-6025 | 45830-7025 | 45830-5025 | 45830-1025 | |
| 27 | 52.00 | 70.06 | 45830-0027 | 45830-3027 | 45830-2027 | 45830-8027 | 45830-4027 | 45830-9027 | 45830-6027 | 45830-7027 | 45830-5027 | 45830-1027 | |



| | | 10 | 9 | 8 | 7 | 6 | 5 | 4 | 3 | 2 | 1 | | |
|------------------------------|---------------|-------|------------|-------------|-------------|-------------|-------------|-------------|-------------|-------------|-------------|-------------|------------|
| TIN PARTS LEAD CODE = "2" | STACK HEIGHT: | | 8mm | 9mm | 10mm | 11mm | 12mm | 13mm | 14mm | 15mm | 17mm | 18mm | |
| | DIM B | | 10.41 | 11.41 | 12.41 | 13.41 | 14.41 | 15.41 | 16.41 | 17.41 | 19.41 | 20.41 | |
| | DIM C | | 8.80 | 9.80 | 10.80 | 11.80 | 12.80 | 13.80 | 14.80 | 15.80 | 17.80 | 18.80 | |
| | ROWS | DIM A | DIM D | MATERIAL NO | MATERIAL NO | MATERIAL NO | MATERIAL NO | MATERIAL NO | MATERIAL NO | MATERIAL NO | MATERIAL NO | MATERIAL NO | |
| | 7 | 12.00 | 30.06 | 45830-0207 | 45830-3207 | 45830-2207 | 45830-8207 | 45830-4207 | 45830-9207 | 45830-6207 | 45830-7207 | 45830-5207 | 45830-1207 |
| | 9 | 16.00 | 34.06 | 45830-0209 | 45830-3209 | 45830-2209 | 45830-8209 | 45830-4209 | 45830-9209 | 45830-6209 | 45830-7209 | 45830-5209 | 45830-1209 |
| | 11 | 20.00 | 38.06 | 45830-0211 | 45830-3211 | 45830-2211 | 45830-8211 | 45830-4211 | 45830-9211 | 45830-6211 | 45830-7211 | 45830-5211 | 45830-1211 |
| | 13 | 24.00 | 42.06 | 45830-0213 | 45830-3213 | 45830-2213 | 45830-8213 | 45830-4213 | 45830-9213 | 45830-6213 | 45830-7213 | 45830-5213 | 45830-1213 |
| | 15 | 28.00 | 46.06 | 45830-0215 | 45830-3215 | 45830-2215 | 45830-8215 | 45830-4215 | 45830-9215 | 45830-6215 | 45830-7215 | 45830-5215 | 45830-1215 |
| | 17 | 32.00 | 50.06 | 45830-0217 | 45830-3217 | 45830-2217 | 45830-8217 | 45830-4217 | 45830-9217 | 45830-6217 | 45830-7217 | 45830-5217 | 45830-1217 |
| 19 | 36.00 | 54.06 | 45830-0219 | 45830-3219 | 45830-2219 | 45830-8219 | 45830-4219 | 45830-9219 | 45830-6219 | 45830-7219 | 45830-5219 | 45830-1219 | |
| 21 | 40.00 | 58.06 | 45830-0221 | 45830-3221 | 45830-2221 | 45830-8221 | 45830-4221 | 45830-9221 | 45830-6221 | 45830-7221 | 45830-5221 | 45830-1221 | |
| 23 | 44.00 | 62.06 | 45830-0223 | 45830-3223 | 45830-2223 | 45830-8223 | 45830-4223 | 45830-9223 | 45830-6223 | 45830-7223 | 45830-5223 | 45830-1223 | |
| 25 | 48.00 | 66.06 | 45830-0225 | 45830-3225 | 45830-2225 | 45830-8225 | 45830-4225 | 45830-9225 | 45830-6225 | 45830-7225 | 45830-5225 | 45830-1225 | |
| 27 | 52.00 | 70.06 | 45830-0227 | 45830-3227 | 45830-2227 | 45830-8227 | 45830-4227 | 45830-9227 | 45830-6227 | 45830-7227 | 45830-5227 | 45830-1227 | |

ALL PARTS ON THIS SHEET ARE PACKED IN STANDARD MOLEX TRAYS PER PK-48030-001

NOTE:
1. SOLDER CHARGE COMPOSITION
TIN/LEAD: Sn 63/Pb 37
TIN: Sn 95.5/ Ag 3.8/ Cu 0.7

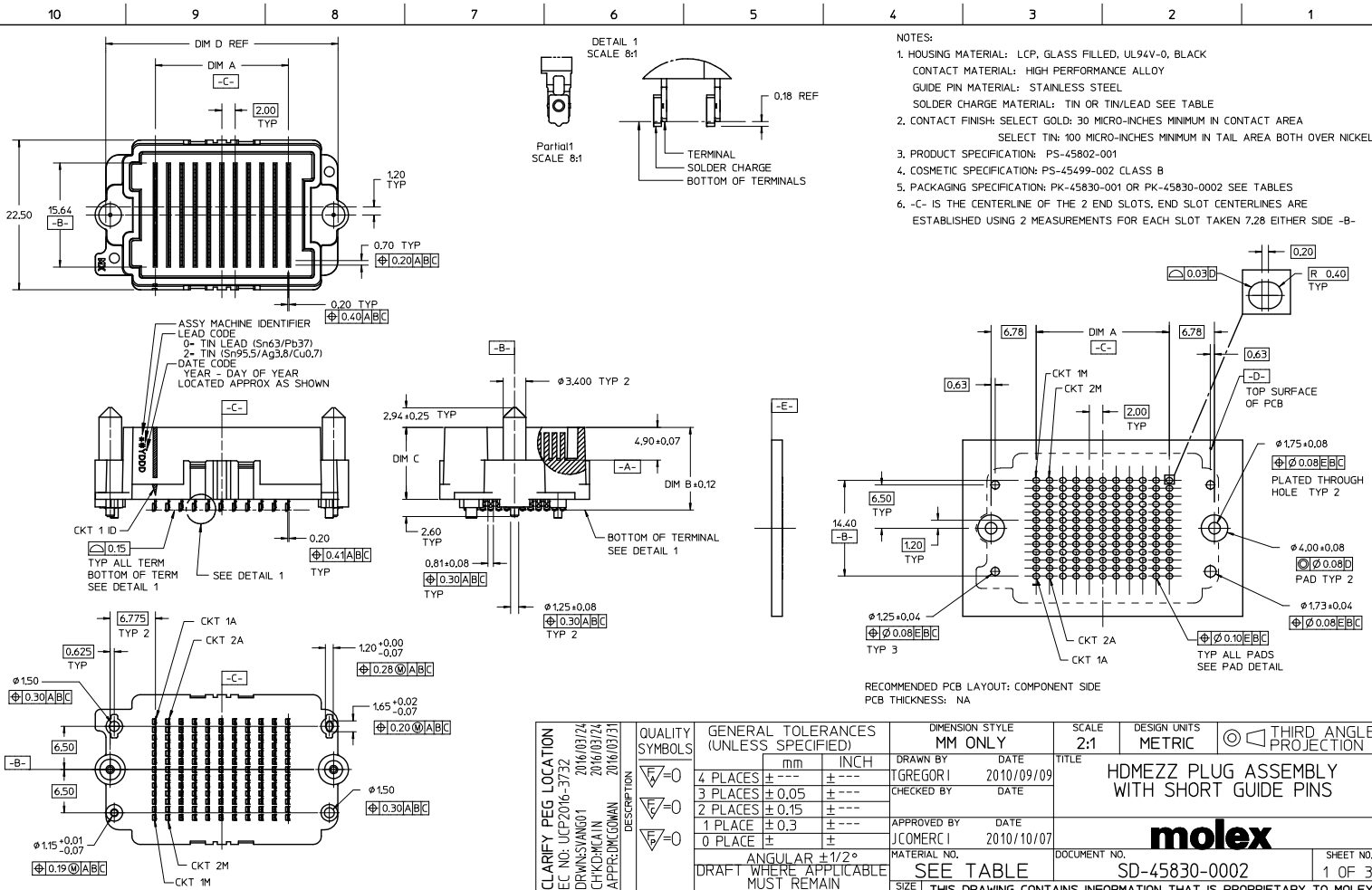
| | | | | | | | |
|---|-----------|-----------------|---------------------------------------|-----------------|-------|--------------|---|
| SEE SHEET 1 EC NO: UCP2016-3732 2016/03/24 DRAWNS: VANG01 CHKD: CHA IN 2016/03/24 APPR: JND/COMAN 2016/03/31 | REVISION | QUALITY SYMBOLS | GENERAL TOLERANCES (UNLESS SPECIFIED) | DIMENSION STYLE | SCALE | DESIGN UNITS | THIRD ANGLE PROJECTION |
| | | $\nabla=0$ | 4 PLACES ± 0.05 | MM ONLY | 2:1 | METRIC | DRAWN BY: TREGORI DATE: 2010/09/09 CHECKED BY: DATE: APPROVED BY: JCOMERC I DATE: 2010/10/07 MATERIAL NO.: DOCUMENT NO.: SD-45830-0001 SHEET NO.: 2 OF 3 |
| | | $\nabla=0$ | 3 PLACES ± 0.15 | | | | |
| | | $\nabla=0$ | 2 PLACES ± 0.3 | | | | |
| | | $\nabla=0$ | 1 PLACE ± 0.15 | | | | |
| $\nabla=0$ | 0 PLACE ± | | | | | | |
| ANGULAR ±1/2° DRAFT WHERE APPLICABLE MUST REMAIN WITHIN DIMENSIONS | | | SEE TABLE | | | | |

| | | 10 | 9 | 8 | 7 | 6 | 5 | 4 | 3 | 2 | 1 | | |
|--|---------------|-------|------------|-------------|-------------|-------------|-------------|-------------|-------------|-------------|-------------|-------------|------------|
| F TIN / LEAD PARTS LEAD CODE = "0" | STACK HEIGHT: | | 8mm | 9mm | 10mm | 11mm | 12mm | 13mm | 14mm | 15mm | 17mm | 18mm | |
| | DIM B | | 10.41 | 11.41 | 12.41 | 13.41 | 14.41 | 15.41 | 16.41 | 17.41 | 19.41 | 20.41 | |
| | DIM C | | 8.80 | 9.80 | 10.80 | 11.80 | 12.80 | 13.80 | 14.80 | 15.80 | 17.80 | 18.80 | |
| | ROWS | DIM A | DIM D | MATERIAL NO | MATERIAL NO | MATERIAL NO | MATERIAL NO | MATERIAL NO | MATERIAL NO | MATERIAL NO | MATERIAL NO | MATERIAL NO | |
| | 7 | 12.00 | 30.06 | 45830-0089 | 45830-3089 | 45830-2089 | 45830-8089 | 45830-4089 | 45830-9089 | 45830-6089 | 45830-7089 | 45830-5089 | 45830-1089 |
| | 9 | 16.00 | 34.06 | 45830-0090 | 45830-3090 | 45830-2090 | 45830-8090 | 45830-4090 | 45830-9090 | 45830-6090 | 45830-7090 | 45830-5090 | 45830-1090 |
| | 11 | 20.00 | 38.06 | 45830-0091 | 45830-3091 | 45830-2091 | 45830-8091 | 45830-4091 | 45830-9091 | 45830-6091 | 45830-7091 | 45830-5091 | 45830-1091 |
| | 13 | 24.00 | 42.06 | 45830-0092 | 45830-3092 | 45830-2092 | 45830-8092 | 45830-4092 | 45830-9092 | 45830-6092 | 45830-7092 | 45830-5092 | 45830-1092 |
| | 15 | 28.00 | 46.06 | 45830-0093 | 45830-3093 | 45830-2093 | 45830-8093 | 45830-4093 | 45830-9093 | 45830-6093 | 45830-7093 | 45830-5093 | 45830-1093 |
| | 17 | 32.00 | 50.06 | 45830-0094 | 45830-3094 | 45830-2094 | 45830-8094 | 45830-4094 | 45830-9094 | 45830-6094 | 45830-7094 | 45830-5094 | 45830-1094 |
| 19 | 36.00 | 54.06 | 45830-0095 | 45830-3095 | 45830-2095 | 45830-8095 | 45830-4095 | 45830-9095 | 45830-6095 | 45830-7095 | 45830-5095 | 45830-1095 | |
| 21 | 40.00 | 58.06 | 45830-0096 | 45830-3096 | 45830-2096 | 45830-8096 | 45830-4096 | 45830-9096 | 45830-6096 | 45830-7096 | 45830-5096 | 45830-1096 | |
| 23 | 44.00 | 62.06 | 45830-0097 | 45830-3097 | 45830-2097 | 45830-8097 | 45830-4097 | 45830-9097 | 45830-6097 | 45830-7097 | 45830-5097 | 45830-1097 | |
| 25 | 48.00 | 66.06 | 45830-0098 | 45830-3098 | 45830-2098 | 45830-8098 | 45830-4098 | 45830-9098 | 45830-6098 | 45830-7098 | 45830-5098 | 45830-1098 | |
| 27 | 52.00 | 70.06 | 45830-0099 | 45830-3099 | 45830-2099 | 45830-8099 | 45830-4099 | 45830-9099 | 45830-6099 | 45830-7099 | 45830-5099 | 45830-1099 | |

| | | 10 | 9 | 8 | 7 | 6 | 5 | 4 | 3 | 2 | 1 | | |
|-----------------------------------|---------------|-------|------------|-------------|-------------|-------------|-------------|-------------|-------------|-------------|-------------|-------------|------------|
| D TIN PARTS LEAD CODE = "2" | STACK HEIGHT: | | 8mm | 9mm | 10mm | 11mm | 12mm | 13mm | 14mm | 15mm | 17mm | 18mm | |
| | DIM B | | 10.41 | 11.41 | 12.41 | 13.41 | 14.41 | 15.41 | 16.41 | 17.41 | 19.41 | 20.41 | |
| | DIM C | | 8.80 | 9.80 | 10.80 | 11.80 | 12.80 | 13.80 | 14.80 | 15.80 | 17.80 | 18.80 | |
| | ROWS | DIM A | DIM D | MATERIAL NO | MATERIAL NO | MATERIAL NO | MATERIAL NO | MATERIAL NO | MATERIAL NO | MATERIAL NO | MATERIAL NO | MATERIAL NO | |
| | 7 | 12.00 | 30.06 | 45830-0289 | 45830-3289 | 45830-2289 | 45830-8289 | 45830-4289 | 45830-9289 | 45830-6289 | 45830-7289 | 45830-5289 | 45830-1289 |
| | 9 | 16.00 | 34.06 | 45830-0290 | 45830-3290 | 45830-2290 | 45830-8290 | 45830-4290 | 45830-9290 | 45830-6290 | 45830-7290 | 45830-5290 | 45830-1290 |
| | 11 | 20.00 | 38.06 | 45830-0291 | 45830-3291 | 45830-2291 | 45830-8291 | 45830-4291 | 45830-9291 | 45830-6291 | 45830-7291 | 45830-5291 | 45830-1291 |
| | 13 | 24.00 | 42.06 | 45830-0292 | 45830-3292 | 45830-2292 | 45830-8292 | 45830-4292 | 45830-9292 | 45830-6292 | 45830-7292 | 45830-5292 | 45830-1292 |
| | 15 | 28.00 | 46.06 | 45830-0293 | 45830-3293 | 45830-2293 | 45830-8293 | 45830-4293 | 45830-9293 | 45830-6293 | 45830-7293 | 45830-5293 | 45830-1293 |
| | 17 | 32.00 | 50.06 | 45830-0294 | 45830-3294 | 45830-2294 | 45830-8294 | 45830-4294 | 45830-9294 | 45830-6294 | 45830-7294 | 45830-5294 | 45830-1294 |
| 19 | 36.00 | 54.06 | 45830-0295 | 45830-3295 | 45830-2295 | 45830-8295 | 45830-4295 | 45830-9295 | 45830-6295 | 45830-7295 | 45830-5295 | 45830-1295 | |
| 21 | 40.00 | 58.06 | 45830-0296 | 45830-3296 | 45830-2296 | 45830-8296 | 45830-4296 | 45830-9296 | 45830-6296 | 45830-7296 | 45830-5296 | 45830-1296 | |
| 23 | 44.00 | 62.06 | 45830-0297 | 45830-3297 | 45830-2297 | 45830-8297 | 45830-4297 | 45830-9297 | 45830-6297 | 45830-7297 | 45830-5297 | 45830-1297 | |
| 25 | 48.00 | 66.06 | 45830-0298 | 45830-3298 | 45830-2298 | 45830-8298 | 45830-4298 | 45830-9298 | 45830-6298 | 45830-7298 | 45830-5298 | 45830-1298 | |
| 27 | 52.00 | 70.06 | 45830-0299 | 45830-3299 | 45830-2299 | 45830-8299 | 45830-4299 | 45830-9299 | 45830-6299 | 45830-7299 | 45830-5299 | 45830-1299 | |

ALL PARTS ON THIS SHEET ARE PACKED IN JEDEC STYLE TRAYS PER PK-45830-0002

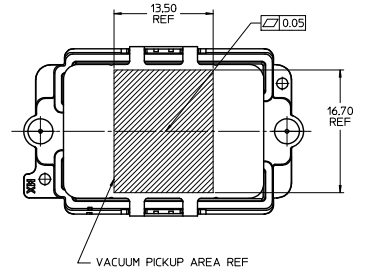
| | | | | | | | | | |
|--|--------------------------------------|---------------------------------------|-----------------|---|-----------|---------------------|------------------------|--------------------|-----------------|
| A SEE SHEET 1 EC NO: UCP2016-3732 DRAWN BY: DRWNSVANG01 CHKD BY: CHKDKALIN APPROVED BY: APPROVCOMAN 2016/03/24 2016/03/24 2016/03/31 | QUALITY SYMBOLS ▽=0 ▽=0 ▽=0 | GENERAL TOLERANCES (UNLESS SPECIFIED) | DIMENSION STYLE | | SCALE 1:1 | DESIGN UNITS METRIC | THIRD ANGLE PROJECTION | | |
| | | | mm | INCH | | | | | |
| | | | 4 PLACES ± 0.05 | ± 0.0015 | | | | DRAWN BY T.GREGORI | DATE 2010/09/09 |
| | | | 3 PLACES ± 0.15 | ± 0.003 | | | | CHECKED BY | DATE |
| 2 PLACES ± 0.3 | ± 0.006 | APPROVED BY J.COMERC | DATE 2010/10/07 | TITLE HDMEZZ PLUG ASSEMBLY WITH LONG GUIDE PINS | | | | | |
| 1 PLACE ± 0.6 | ± 0.012 | MATERIAL NO. | DOCUMENT NO. | molex | | | | | |
| 0 PLACE ± 1.2 | ± 0.025 | SEE TABLE | SD-45830-0001 | SHEET NO. 3 OF 3 | | | | | |
| DRAFT WHERE APPLICABLE MUST REMAIN WITHIN DIMENSIONS | | | | | | | | | |
| SIZE B THIS DRAWING CONTAINS INFORMATION THAT IS PROPRIETARY TO MOLEX INCORPORATED AND SHOULD NOT BE USED WITHOUT WRITTEN PERMISSION | | | | | | | | | |



1b_frame_B_P_AM_T
Rev. G 2012/01/11

| | | | | | | | |
|---|---|---|---------------------|-------|--------------|--|--|
| CLARIFY PEG LOCATION EC NO: IUCP2016-3732 DT DRIVS/VANG01 2016/03/24 CH/KD/MCA/IN 2016/03/24 APPR/D/COMAN 2016/03/31 REV | QUALITY SYMBOLS | GENERAL TOLERANCES (UNLESS SPECIFIED) | DIMENSION STYLE | SCALE | DESIGN UNITS | THIRD ANGLE PROJECTION | |
| | $\sqrt{\text{---}}=0$ $\sqrt{\text{---}}=0$ $\sqrt{\text{---}}=0$ | mm INCH 4 PLACES ± --- ± --- 3 PLACES ± 0.05 ± --- 2 PLACES ± 0.15 ± --- 1 PLACE ± 0.3 ± --- 0 PLACE ± ± | MM ONLY | 2:1 | METRIC | DRAWN BY DATE T/GREGOR I 2010/09/09 CHECKED BY DATE APPROVED BY DATE J/COMERC I 2010/10/07 | TITLE HDMEZZ PLUG ASSEMBLY WITH SHORT GUIDE PINS DOCUMENT NO. SD-45830-0002 |
| | ANGULAR ±1/2° DRAFT WHERE APPLICABLE MUST REMAIN WITHIN DIMENSIONS | MATERIAL NO. SEE TABLE | SHEET NO. 1 OF 3 | | | | |
| | SIZE B THIS DRAWING CONTAINS INFORMATION THAT IS PROPRIETARY TO MOLEX INCORPORATED AND SHOULD NOT BE USED WITHOUT WRITTEN PERMISSION | | | | | | |

| | | 10 | 9 | 8 | 7 | 6 | 5 | 4 | 3 | 2 | 1 | | |
|-------------------------------------|---------------|-------|------------|-------------|-------------|-------------|-------------|-------------|-------------|-------------|-------------|-------------|------------|
| TIN / LEAD PARTS LEAD CODE = "0" | STACK HEIGHT: | 8mm | 9mm | 10mm | 11mm | 12mm | 13mm | 14mm | 15mm | 17mm | 18mm | | |
| | DIM B | 10.41 | 11.41 | 12.41 | 13.41 | 14.41 | 15.41 | 16.41 | 17.41 | 19.41 | 20.41 | | |
| | DIM C | 8.80 | 9.80 | 10.80 | 11.80 | 12.80 | 13.80 | 14.80 | 15.80 | 17.80 | 18.80 | | |
| | ROWS | DIM A | DIM D | MATERIAL NO | MATERIAL NO | MATERIAL NO | MATERIAL NO | MATERIAL NO | MATERIAL NO | MATERIAL NO | MATERIAL NO | MATERIAL NO | |
| | 7 | 12.00 | 30.06 | 45830-0707 | 45830-3707 | 45830-2707 | 45830-8707 | 45830-4707 | 45830-9707 | 45830-6707 | 45830-7707 | 45830-5707 | 45830-1707 |
| | 9 | 16.00 | 34.06 | 45830-0709 | 45830-3709 | 45830-2709 | 45830-8709 | 45830-4709 | 45830-9709 | 45830-6709 | 45830-7709 | 45830-5709 | 45830-1709 |
| | 11 | 20.00 | 38.06 | 45830-0711 | 45830-3711 | 45830-2711 | 45830-8711 | 45830-4711 | 45830-9711 | 45830-6711 | 45830-7711 | 45830-5711 | 45830-1711 |
| | 13 | 24.00 | 42.06 | 45830-0713 | 45830-3713 | 45830-2713 | 45830-8713 | 45830-4713 | 45830-9713 | 45830-6713 | 45830-7713 | 45830-5713 | 45830-1713 |
| | 15 | 28.00 | 46.06 | 45830-0715 | 45830-3715 | 45830-2715 | 45830-8715 | 45830-4715 | 45830-9715 | 45830-6715 | 45830-7715 | 45830-5715 | 45830-1715 |
| | 17 | 32.00 | 50.06 | 45830-0717 | 45830-3717 | 45830-2717 | 45830-8717 | 45830-4717 | 45830-9717 | 45830-6717 | 45830-7717 | 45830-5717 | 45830-1717 |
| 19 | 36.00 | 54.06 | 45830-0719 | 45830-3719 | 45830-2719 | 45830-8719 | 45830-4719 | 45830-9719 | 45830-6719 | 45830-7719 | 45830-5719 | 45830-1719 | |
| 21 | 40.00 | 58.06 | 45830-0721 | 45830-3721 | 45830-2721 | 45830-8721 | 45830-4721 | 45830-9721 | 45830-6721 | 45830-7721 | 45830-5721 | 45830-1721 | |
| 23 | 44.00 | 62.06 | 45830-0723 | 45830-3723 | 45830-2723 | 45830-8723 | 45830-4723 | 45830-9723 | 45830-6723 | 45830-7723 | 45830-5723 | 45830-1723 | |
| 25 | 48.00 | 66.06 | 45830-0725 | 45830-3725 | 45830-2725 | 45830-8725 | 45830-4725 | 45830-9725 | 45830-6725 | 45830-7725 | 45830-5725 | 45830-1725 | |
| 27 | 52.00 | 70.06 | 45830-0727 | 45830-3727 | 45830-2727 | 45830-8727 | 45830-4727 | 45830-9727 | 45830-6727 | 45830-7727 | 45830-5727 | 45830-1727 | |



| | | 10 | 9 | 8 | 7 | 6 | 5 | 4 | 3 | 2 | 1 | | |
|------------------------------|---------------|-------|------------|-------------|-------------|-------------|-------------|-------------|-------------|-------------|-------------|-------------|------------|
| TIN PARTS LEAD CODE = "2" | STACK HEIGHT: | 8mm | 9mm | 10mm | 11mm | 12mm | 13mm | 14mm | 15mm | 17mm | 18mm | | |
| | DIM B | 10.41 | 11.41 | 12.41 | 13.41 | 14.41 | 15.41 | 16.41 | 17.41 | 19.41 | 20.41 | | |
| | DIM C | 8.80 | 9.80 | 10.80 | 11.80 | 12.80 | 13.80 | 14.80 | 15.80 | 17.80 | 18.80 | | |
| | ROWS | DIM A | DIM D | MATERIAL NO | MATERIAL NO | MATERIAL NO | MATERIAL NO | MATERIAL NO | MATERIAL NO | MATERIAL NO | MATERIAL NO | MATERIAL NO | |
| | 7 | 12.00 | 30.06 | 45830-0807 | 45830-3807 | 45830-2807 | 45830-8807 | 45830-4807 | 45830-9807 | 45830-6807 | 45830-7807 | 45830-5807 | 45830-1807 |
| | 9 | 16.00 | 34.06 | 45830-0809 | 45830-3809 | 45830-2809 | 45830-8809 | 45830-4809 | 45830-9809 | 45830-6809 | 45830-7809 | 45830-5809 | 45830-1809 |
| | 11 | 20.00 | 38.06 | 45830-0811 | 45830-3811 | 45830-2811 | 45830-8811 | 45830-4811 | 45830-9811 | 45830-6811 | 45830-7811 | 45830-5811 | 45830-1811 |
| | 13 | 24.00 | 42.06 | 45830-0813 | 45830-3813 | 45830-2813 | 45830-8813 | 45830-4813 | 45830-9813 | 45830-6813 | 45830-7813 | 45830-5813 | 45830-1813 |
| | 15 | 28.00 | 46.06 | 45830-0815 | 45830-3815 | 45830-2815 | 45830-8815 | 45830-4815 | 45830-9815 | 45830-6815 | 45830-7815 | 45830-5815 | 45830-1815 |
| | 17 | 32.00 | 50.06 | 45830-0817 | 45830-3817 | 45830-2817 | 45830-8817 | 45830-4817 | 45830-9817 | 45830-6817 | 45830-7817 | 45830-5817 | 45830-1817 |
| 19 | 36.00 | 54.06 | 45830-0819 | 45830-3819 | 45830-2819 | 45830-8819 | 45830-4819 | 45830-9819 | 45830-6819 | 45830-7819 | 45830-5819 | 45830-1819 | |
| 21 | 40.00 | 58.06 | 45830-0821 | 45830-3821 | 45830-2821 | 45830-8821 | 45830-4821 | 45830-9821 | 45830-6821 | 45830-7821 | 45830-5821 | 45830-1821 | |
| 23 | 44.00 | 62.06 | 45830-0823 | 45830-3823 | 45830-2823 | 45830-8823 | 45830-4823 | 45830-9823 | 45830-6823 | 45830-7823 | 45830-5823 | 45830-1823 | |
| 25 | 48.00 | 66.06 | 45830-0825 | 45830-3825 | 45830-2825 | 45830-8825 | 45830-4825 | 45830-9825 | 45830-6825 | 45830-7825 | 45830-5825 | 45830-1825 | |
| 27 | 52.00 | 70.06 | 45830-0827 | 45830-3827 | 45830-2827 | 45830-8827 | 45830-4827 | 45830-9827 | 45830-6827 | 45830-7827 | 45830-5827 | 45830-1827 | |

ALL PARTS ON THIS SHEET ARE PACKED IN STANDARD MOLEX TRAYS PER PK-45830-001

NOTE:
1. SOLDER CHARGE COMPOSITION
TIN/LEAD: Sn 63/Pb 37
TIN: Sn 95.5/ Ag 3.8/ Cu 0.7

| | | | | | | | | | | |
|--|---|---------------------------------------|---------------------|---|-------------------|---------------------------|------------------------|------------------------|---|---|
| SEE SHEET 1 EIC NO: IJCP2016-3732 2016/03/24 FT DRWNSVANG01 CHKDRICA IN APPR:JCOMAN 2016/03/31 | QUALITY SYMBOLS $\nabla=0$ $\nabla=0$ $\nabla=0$ | GENERAL TOLERANCES (UNLESS SPECIFIED) | | DIMENSION STYLE MM ONLY | | SCALE 2:1 | DESIGN UNITS METRIC | THIRD ANGLE PROJECTION | | |
| | | 4 PLACES ± 0.05 | 3 PLACES ± 0.15 | 2 PLACES ± 0.3 | 1 PLACE ± 0.5 | 0 PLACE ± 0.5 | DRAWN BY TGREGOR I | DATE 2010/09/09 | TITLE HDMEZZ PLUG ASSEMBLY WITH SHORT GUIDE PINS | |
| | | ANGULAR $\pm 1/2^\circ$ | | DRAFT WHERE APPLICABLE MUST REMAIN WITHIN DIMENSIONS | | APPROVED BY JCOMERC I | | DATE 2010/10/07 | DOCUMENT NO. SD-45830-0002 | |
| | | SIZE B | | THIS DRAWING CONTAINS INFORMATION THAT IS PROPRIETARY TO MOLEX INCORPORATED AND SHOULD NOT BE USED WITHOUT WRITTEN PERMISSION | | MATERIAL NO. SEE TABLE | | SHEET NO. 2 OF 3 | | A |

| | | 10 | 9 | 8 | 7 | 6 | 5 | 4 | 3 | 2 | 1 | | |
|--|---------------|-------|------------|-------------|-------------|-------------|-------------|-------------|-------------|-------------|-------------|-------------|------------|
| F TIN / LEAD PARTS LEAD CODE = "0" | STACK HEIGHT: | | 8mm | 9mm | 10mm | 11mm | 12mm | 13mm | 14mm | 15mm | 17mm | 18mm | |
| | DIM B | | 10.41 | 11.41 | 12.41 | 13.41 | 14.41 | 15.41 | 16.41 | 17.41 | 19.41 | 20.41 | |
| | DIM C | | 8.80 | 9.80 | 10.80 | 11.80 | 12.80 | 13.80 | 14.80 | 15.80 | 17.80 | 18.80 | |
| | ROWS | DIM A | DIM D | MATERIAL NO | MATERIAL NO | MATERIAL NO | MATERIAL NO | MATERIAL NO | MATERIAL NO | MATERIAL NO | MATERIAL NO | MATERIAL NO | |
| | 7 | 12.00 | 30.06 | 45830-0789 | 45830-3789 | 45830-2789 | 45830-8789 | 45830-4789 | 45830-9789 | 45830-6789 | 45830-7789 | 45830-5789 | 45830-1789 |
| | 9 | 16.00 | 34.06 | 45830-0790 | 45830-3790 | 45830-2790 | 45830-8790 | 45830-4790 | 45830-9790 | 45830-6790 | 45830-7790 | 45830-5790 | 45830-1790 |
| | 11 | 20.00 | 38.06 | 45830-0791 | 45830-3791 | 45830-2791 | 45830-8791 | 45830-4791 | 45830-9791 | 45830-6791 | 45830-7791 | 45830-5791 | 45830-1791 |
| | 13 | 24.00 | 42.06 | 45830-0792 | 45830-3792 | 45830-2792 | 45830-8792 | 45830-4792 | 45830-9792 | 45830-6792 | 45830-7792 | 45830-5792 | 45830-1792 |
| | 15 | 28.00 | 46.06 | 45830-0793 | 45830-3793 | 45830-2793 | 45830-8793 | 45830-4793 | 45830-9793 | 45830-6793 | 45830-7793 | 45830-5793 | 45830-1793 |
| | 17 | 32.00 | 50.06 | 45830-0794 | 45830-3794 | 45830-2794 | 45830-8794 | 45830-4794 | 45830-9794 | 45830-6794 | 45830-7794 | 45830-5794 | 45830-1794 |
| | 19 | 36.00 | 54.06 | 45830-0795 | 45830-3795 | 45830-2795 | 45830-8795 | 45830-4795 | 45830-9795 | 45830-6795 | 45830-7795 | 45830-5795 | 45830-1795 |
| | 21 | 40.00 | 58.06 | 45830-0796 | 45830-3796 | 45830-2796 | 45830-8796 | 45830-4796 | 45830-9796 | 45830-6796 | 45830-7796 | 45830-5796 | 45830-1796 |
| | 23 | 44.00 | 62.06 | 45830-0797 | 45830-3797 | 45830-2797 | 45830-8797 | 45830-4797 | 45830-9797 | 45830-6797 | 45830-7797 | 45830-5797 | 45830-1797 |
| 25 | 48.00 | 66.06 | 45830-0798 | 45830-3798 | 45830-2798 | 45830-8798 | 45830-4798 | 45830-9798 | 45830-6798 | 45830-7798 | 45830-5798 | 45830-1798 | |
| 27 | 52.00 | 70.06 | 45830-0799 | 45830-3799 | 45830-2799 | 45830-8799 | 45830-4799 | 45830-9799 | 45830-6799 | 45830-7799 | 45830-5799 | 45830-1799 | |

| | | 10 | 9 | 8 | 7 | 6 | 5 | 4 | 3 | 2 | 1 | | |
|-----------------------------------|---------------|-------|------------|-------------|-------------|-------------|-------------|-------------|-------------|-------------|-------------|-------------|------------|
| D TIN PARTS LEAD CODE = "2" | STACK HEIGHT: | | 8mm | 9mm | 10mm | 11mm | 12mm | 13mm | 14mm | 15mm | 17mm | 18mm | |
| | DIM B | | 10.41 | 11.41 | 12.41 | 13.41 | 14.41 | 15.41 | 16.41 | 17.41 | 19.41 | 20.41 | |
| | DIM C | | 8.80 | 9.80 | 10.80 | 11.80 | 12.80 | 13.80 | 14.80 | 15.80 | 17.80 | 18.80 | |
| | ROWS | DIM A | DIM D | MATERIAL NO | MATERIAL NO | MATERIAL NO | MATERIAL NO | MATERIAL NO | MATERIAL NO | MATERIAL NO | MATERIAL NO | MATERIAL NO | |
| | 7 | 12.00 | 30.06 | 45830-0889 | 45830-3889 | 45830-2889 | 45830-8889 | 45830-4889 | 45830-9889 | 45830-6889 | 45830-7889 | 45830-5889 | 45830-1889 |
| | 9 | 16.00 | 34.06 | 45830-0890 | 45830-3890 | 45830-2890 | 45830-8890 | 45830-4890 | 45830-9890 | 45830-6890 | 45830-7890 | 45830-5890 | 45830-1890 |
| | 11 | 20.00 | 38.06 | 45830-0891 | 45830-3891 | 45830-2891 | 45830-8891 | 45830-4891 | 45830-9891 | 45830-6891 | 45830-7891 | 45830-5891 | 45830-1891 |
| | 13 | 24.00 | 42.06 | 45830-0892 | 45830-3892 | 45830-2892 | 45830-8892 | 45830-4892 | 45830-9892 | 45830-6892 | 45830-7892 | 45830-5892 | 45830-1892 |
| | 15 | 28.00 | 46.06 | 45830-0893 | 45830-3893 | 45830-2893 | 45830-8893 | 45830-4893 | 45830-9893 | 45830-6893 | 45830-7893 | 45830-5893 | 45830-1893 |
| | 17 | 32.00 | 50.06 | 45830-0894 | 45830-3894 | 45830-2894 | 45830-8894 | 45830-4894 | 45830-9894 | 45830-6894 | 45830-7894 | 45830-5894 | 45830-1894 |
| | 19 | 36.00 | 54.06 | 45830-0895 | 45830-3895 | 45830-2895 | 45830-8895 | 45830-4895 | 45830-9895 | 45830-6895 | 45830-7895 | 45830-5895 | 45830-1895 |
| | 21 | 40.00 | 58.06 | 45830-0896 | 45830-3896 | 45830-2896 | 45830-8896 | 45830-4896 | 45830-9896 | 45830-6896 | 45830-7896 | 45830-5896 | 45830-1896 |
| | 23 | 44.00 | 62.06 | 45830-0897 | 45830-3897 | 45830-2897 | 45830-8897 | 45830-4897 | 45830-9897 | 45830-6897 | 45830-7897 | 45830-5897 | 45830-1897 |
| 25 | 48.00 | 66.06 | 45830-0898 | 45830-3898 | 45830-2898 | 45830-8898 | 45830-4898 | 45830-9898 | 45830-6898 | 45830-7898 | 45830-5898 | 45830-1898 | |
| 27 | 52.00 | 70.06 | 45830-0899 | 45830-3899 | 45830-2899 | 45830-8899 | 45830-4899 | 45830-9899 | 45830-6899 | 45830-7899 | 45830-5899 | 45830-1899 | |

ALL PARTS ON THIS SHEET ARE PACKED IN JEDEC STYLE TRAYS PER PK-45830-0002

| | | | | | | | | |
|--|--------------------------------------|---|-------|-------------------------------|---------------------|--|------------------------|---------------------------|
| A SEE SHEET 1 EC NO: UCP2016-3732 DRAWN BY: 2016/03/24 CHK: CHIKKAIAN APP: PREDICOMAN 2016/03/24 | QUALITY SYMBOLS ▽=0 ▽=0 ▽=0 | GENERAL TOLERANCES (UNLESS SPECIFIED) | | DIMENSION STYLE MM ONLY | | SCALE 1:1 | DESIGN UNITS METRIC | THIRD ANGLE PROJECTION |
| | | mm | INCH | DRAWN BY TGREGORI | DATE 2010/09/09 | TITLE HDMEZZ PLUG ASSEMBLY WITH SHORT GUIDE PINS | | |
| | | 4 PLACES ± --- | ± --- | CHECKED BY | DATE | molex | | |
| | | 3 PLACES ± 0.05 | ± --- | APPROVED BY JCOMERC I | DATE 2010/10/07 | | | |
| 2 PLACES ± 0.15 | ± --- | MATERIAL NO. SEE TABLE | | DOCUMENT NO. SD-45830-0002 | SHEET NO. 3 OF 3 | | | |
| 1 PLACE ± 0.3 | ± --- | DRAFT WHERE APPLICABLE MUST REMAIN WITHIN DIMENSIONS | | | | | | SIZE B |
| 0 PLACE ± | ± | THIS DRAWING CONTAINS INFORMATION THAT IS PROPRIETARY TO MOLEX INCORPORATED AND SHOULD NOT BE USED WITHOUT WRITTEN PERMISSION | | | | | | |