

Excellent Integrated System Limited

Stocking Distributor

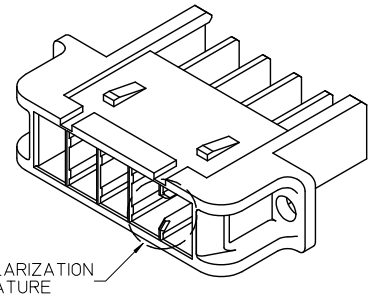
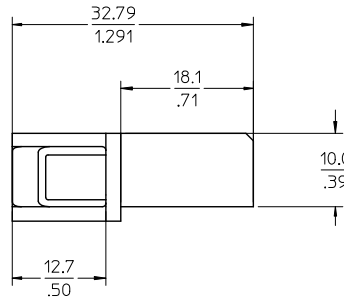
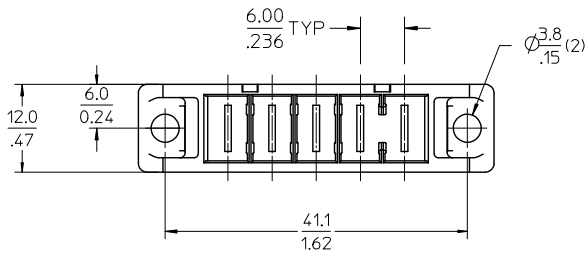
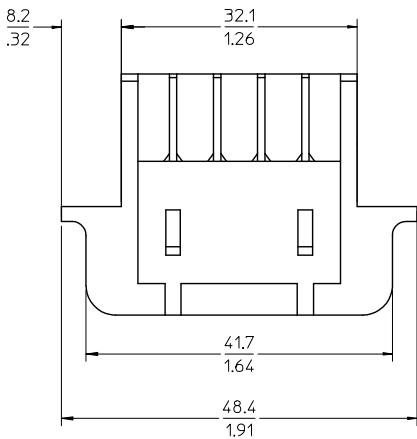
Click to view price, real time Inventory, Delivery & Lifecycle Information:

[Molex Connector Corporation](#)
[0463945001](#)

For any questions, you can email us directly:

sales@integrated-circuit.com

10 9 8 7 6 5 4 3 2 46394



NOTES:

1. MATERIAL: HOUSING: UNFILLED, PBT 94V-0, COLOR: BLACK.
2. HOUSING ACCEPTS MOLEX BLADE TERMINAL 44262-6*** SERIES (SEE SD-44262-026 FOR TERMINAL OPTIONS).
3. PLUG HOUSING MATES WITH RECEPTACLE HOUSING SERIES 46396-**** (SEE SD-46396-101 FOR HOUSING OPTIONS).
4. HOUSING REQUIRES TERMINAL POSITION LOCK, PART NUMBER 46395-0001 TO BE ORDERED SEPARATELY.
5. HOUSING IS RoHS COMPLIANT.
6. PACKAGED PER PK-46394-XXX.

RVD TITLE BLK EC NO: UCP/2009-1352 DRAWN BY: 2008/11/27 CHKD: 2008/11/25 APPR: APATEL 2008/11/25	QUALITY SYMBOLS DESCRIPTION	GENERAL TOLERANCES (UNLESS SPECIFIED)		DIMENSION STYLE MM/IN		SCALE 2:1	DESIGN UNITS METRIC	THIRD ANGLE PROJECTION	
			mm	INCH	DRAWN BY	DATE	TITLE PLUG HOUSING 5 POSITION CONNECTOR		
		4 PLACES	± .10	± .004	BKOSTIC	2006/11/07	MOLEX INCORPORATED		
		3 PLACES	± .10	± .010	CHECKED BY	DATE	MATERIAL NO. 46394-5001		
	2 PLACES	± 0.25	± .013	BKOSTIC	2006/11/07	DOCUMENT NO. SD-46394-001			
	1 PLACE	± 0.33	± .013	APPROVED BY	DATE	SHEET NO. 1 OF 1			
		ANGULAR ± 1/2°		APATEL	2006/11/07	THIS DRAWING CONTAINS INFORMATION THAT IS PROPRIETARY TO MOLEX INCORPORATED AND SHOULD NOT BE USED WITHOUT WRITTEN PERMISSION			
DRAFT WHERE APPLICABLE MUST REMAIN WITHIN DIMENSIONS									

9 8 7 6 5 4 3 2 1