

## Excellent Integrated System Limited

Stocking Distributor

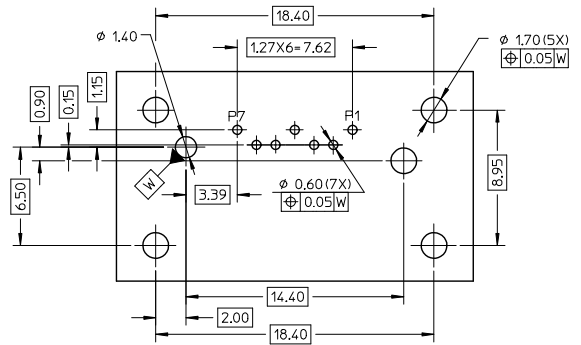
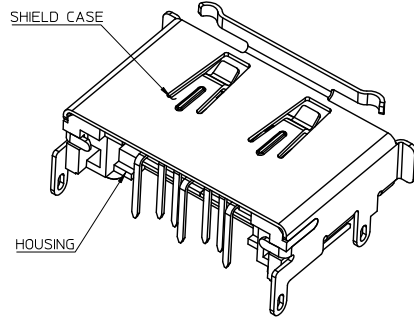
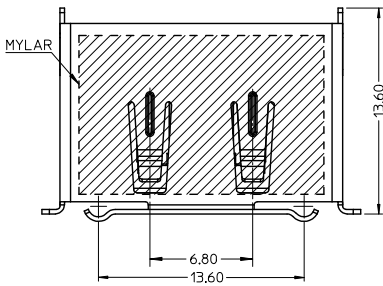
Click to view price, real time Inventory, Delivery & Lifecycle Information:

[Molex Connector Corporation](#)  
[0473920104](#)

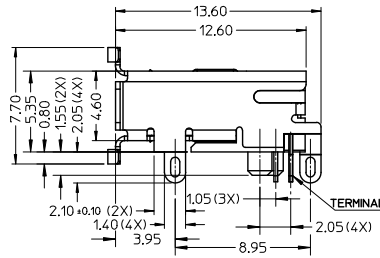
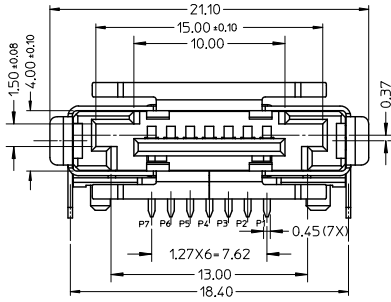
For any questions, you can email us directly:

[sales@integrated-circuit.com](mailto:sales@integrated-circuit.com)

10 9 8 7 6 5 4 3 2 1

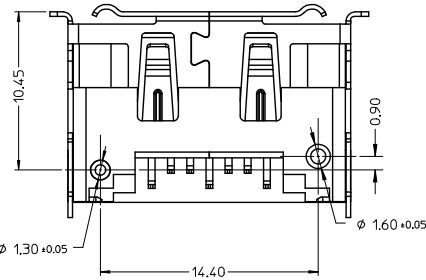


RECOMMEND PCB LAYOUT(CONNECTOR SIDE)  
THICKNESS=1.30(ALL TOLERANCE: +7-0.05)



NOTES:

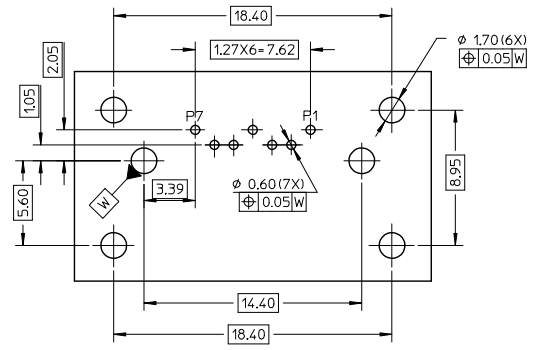
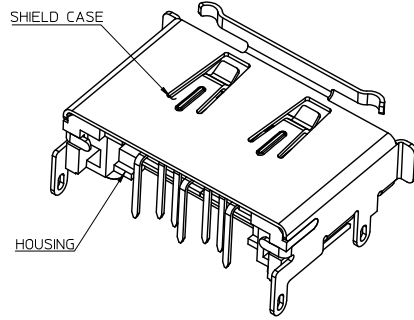
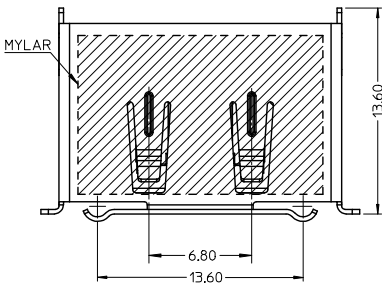
- MATERIAL:  
HOUSING: THERMAL PLASTIC,COLOR: BLACK, UL94V-0.  
SHIELD CASE: COPPER ALLOY.  
TERMIANL: COPPER ALLOY.
- PLATING:  
SHIELD CASE: 100-200μ SOLDERABLE NICKEL OVER ALL.  
TERMINAL: CONTACT AREA GOLD PLATING(SEE CHART) AND SOLDER TAIL 50-100μ TIN ALLOY PLATING OVER 50μ MIN. NICKEL.
- PRODUCT SPEC REFER TO PS-47082-001.
- PACKAGE SPEC REFER TO PK-47379-001.
- PRODUCT MEET STANDARD 1.0 REVISION OF THE SERIAL ATA II: CABLE AND CONNECTOR VOL 2 SPECIFICATION.
- PRODUCT COMPLIANT TO RoHS DIRECTIVE 2002/95/EC AND ELV 2000/53/EC.



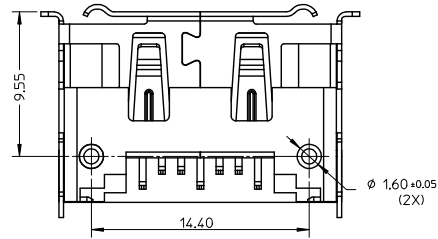
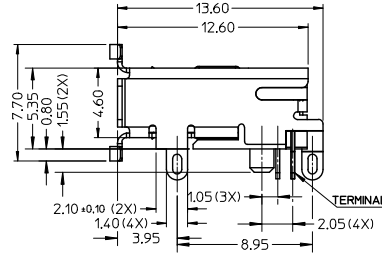
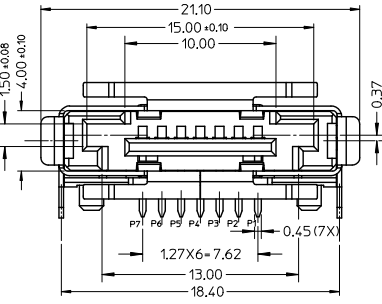
REVISED	EC NO:	2007/06/30	QUALITY SYMBOLS	GENERAL TOLERANCES (UNLESS SPECIFIED)		DIMENSION STYLE		SCALE	DESIGN UNITS	THIRD ANGLE PROJECTION
	DRWINGLLI	2007/05/04		mm	INCH	MM ONLY	1:1	METRIC		
	CHKD:	2007/05/04		4 PLACES ± ---	± ---	DRAWN BY	DATE	TITLE		
	APPR: JINCHEN	2007/05/09		3 PLACES ± ---	± ---	CHECKED BY	DATE	EXTERNAL SATA PLUG WITH SHELL DIP MOUNT TYPE		
			▽=0	2 PLACES ± 0.2	± ---	APPROVED BY	DATE	MOLEX INCORPORATED		
			▽=0	1 PLACE ± 0.25	± ---	GRATE MA	2006/11/17	MOLEX INCORPORATED		
				ANGULAR ± 3°		MATERIAL NO.		DOCUMENT NO.	SHEET NO.	
				DRAFT WHERE APPLICABLE MUST REMAIN WITHIN DIMENSIONS		SEE TABLE IN SHEET 3		SD-47392-100		1 OF 3
						SIZE		THIS DRAWING CONTAINS INFORMATION THAT IS PROPRIETARY TO MOLEX INCORPORATED AND SHOULD NOT BE USED WITHOUT WRITTEN PERMISSION		

9 8 7 6 5 4 3 2 1

10 9 8 7 6 5 4 3 2 1



RECOMMEND PCB LAYOUT (CONNECTOR SIDE)  
THICKNESS=1.30 (ALL TOLERANCE: +7-0.05)



REVISED	EC NO:	2007/06/30	QUALITY SYMBOLS	GENERAL TOLERANCES (UNLESS SPECIFIED)		DIMENSION STYLE MM ONLY	SCALE 1:1	DESIGN UNITS METRIC	THIRD ANGLE PROJECTION
	DRWING LI	2007/05/04		mm	INCH				
D	CHKD:	2007/05/04	DESCRIPTION	4 PLACES	± ---	DRAWN BY DIXON LI	DATE 2006/11/17	TITLE EXTERNAL SATA PLUG WITH SHELL DIP MOUNT TYPE	
	APPR: JINCHEN	2007/05/09		3 PLACES	± ---				CHECKED BY JENNY ZENG
	REV			2 PLACES	± 0.2	APPROVED BY GRATE MA	DATE 2006/11/17	MATERIAL NO.	
				1 PLACE	± 0.25	SEE TABLE IN SHEET 3		DOCUMENT NO. SD-47392-100	
DRAFT WHERE APPLICABLE MUST REMAIN WITHIN DIMENSIONS				ANGULAR ± 3°		THIS DRAWING CONTAINS INFORMATION THAT IS PROPRIETARY TO MOLEX INCORPORATED AND SHOULD NOT BE USED WITHOUT WRITTEN PERMISSION		SHEET NO. 2 OF 3	

9 8 7 6 5 4 3 2 1

