



## **Excellent Integrated System Limited**

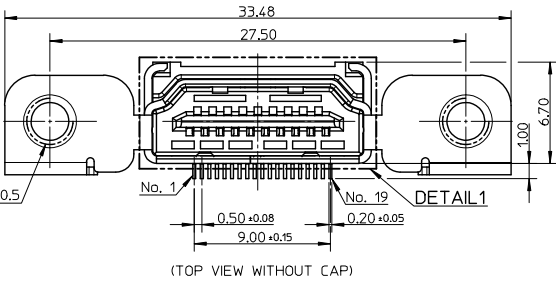
Stocking Distributor

Click to view price, real time Inventory, Delivery & Lifecycle Information:

[Molex Connector Corporation](#)  
[0476313001](#)

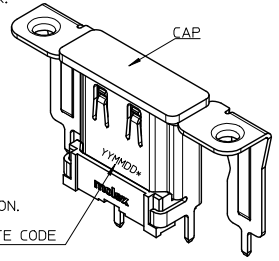
For any questions, you can email us directly:

[sales@integrated-circuit.com](mailto:sales@integrated-circuit.com)

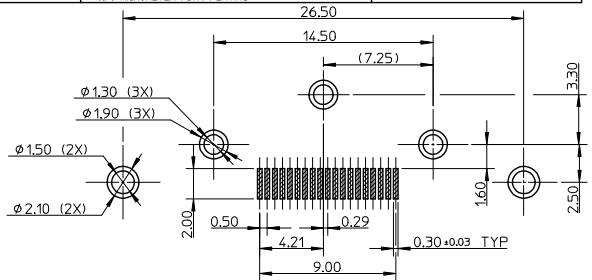
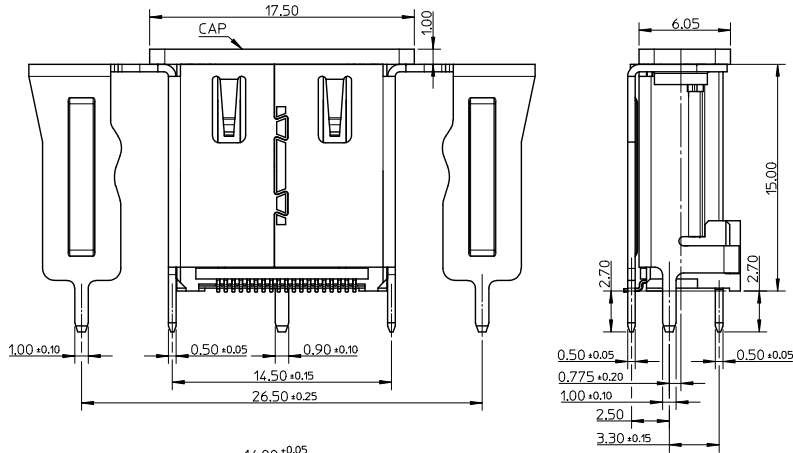


NOTES:

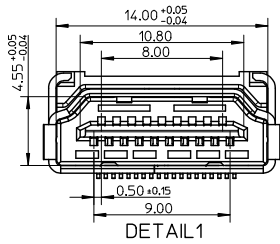
- MATERIAL:  
HOUSING/CAP: HIGH TEMPERATURE THERMAL PLASTIC, COLOR: BLACK.  
SHELL: COPPER ALLOY.  
TERMINAL: COPPER ALLOY.
- PLATING:  
TERMINAL:  
CONTACT AREA: SEE TABLE.  
SOLDER AREA: 1 MICROMETER MIN. TIN-BISMUTH ALLOY PLATED.  
UNDER PLATE: 1 MICROMETER MIN. NICKEL.  
SHELL: 1.27 MICROMETER MIN. SOLDERABLE NICKEL PLATE OVERALL.
- COPLANARITY: 0.10mm MAX.
- PRODUCT SPECIFICATION REFER TO PS-47152-001; TBA FOR PD/NI OPTION.
- PACKAGE SPECIFICATION: SEE TABLE.
- DATE CODE: YY: YEAR, MM: MONTH, DD: DAY,  
\*: MANUFACTURE FACTORY, C=CHENGDU, D=DONGGUAN.
- PRODUCT COMPLIANT TO RoHS DIRECTIVE 2002/95/EC AND ELV DIRECTIVE 2000/53/EC.



P/N	CONTACT AREA PLATING	PACKAGE
47631-2000	0.38 MICROMETER MIN. GOLD PLATING	TAPE REEL, PK-47631-001
47631-3000	GOLD FLASH	
47631-1000	0.76 MICROMETER MIN. GOLD PLATING	TRAY, PK-47631-002
47631-2001	0.38 MICROMETER MIN. GOLD PLATING	
47631-3001	GOLD FLASH	
47631-4000	0.05 MICROMETER MIN. GOLD PLATING OVER 0.70 MICROMETER PD/NI PLATING	



RECOMMENDED PCB LAYOUT (CONNECTOR SIDE)  
GENERAL TOLERANCE: +0.05, THICKNESS=1.6MM



ADD NEW P/N EC NO: S2012-0578 DRWN: ZENG CHKD: JESSIE CHUA APPR: MAGE SHUN	2012/03/15 2012/03/15 2012/03/19	QUALITY SYMBOLS ▽=0 ▽=0.20 ▽=0.30	GENERAL TOLERANCES (UNLESS SPECIFIED)		DIMENSION STYLE	SCALE	DESIGN UNITS	THIRD ANGLE PROJECTION		
			mm	INCH	MM ONLY	4:1	METRIC	THIRD ANGLE PROJECTION		
			4 PLACES ± ---	± ---	DRAWN BY	DATE	TITLE			
			3 PLACES ± ---	± ---	CHEN BO	2007/11/06	HDMI RECEPTACLE VERTICAL SMT TYPE			
2 PLACES ± 0.20	± ---	JOHNSON	2007/11/06	MATERIAL NO.						
1 PLACE ± 0.30	± ---	APPROVED BY	DATE	MOLEX INCORPORATED						
ANGULAR ± 1°		XJSONG	2010/01/26	DOCUMENT NO.						
DRAFT WHERE APPLICABLE MUST REMAIN WITHIN DIMENSIONS		SEE TABLE		SD-47631-100						
		SIZE	THIS DRAWING CONTAINS INFORMATION THAT IS PROPRIETARY TO MOLEX INCORPORATED AND SHOULD NOT BE USED WITHOUT WRITTEN PERMISSION							
		A3								