

Excellent Integrated System Limited

Stocking Distributor

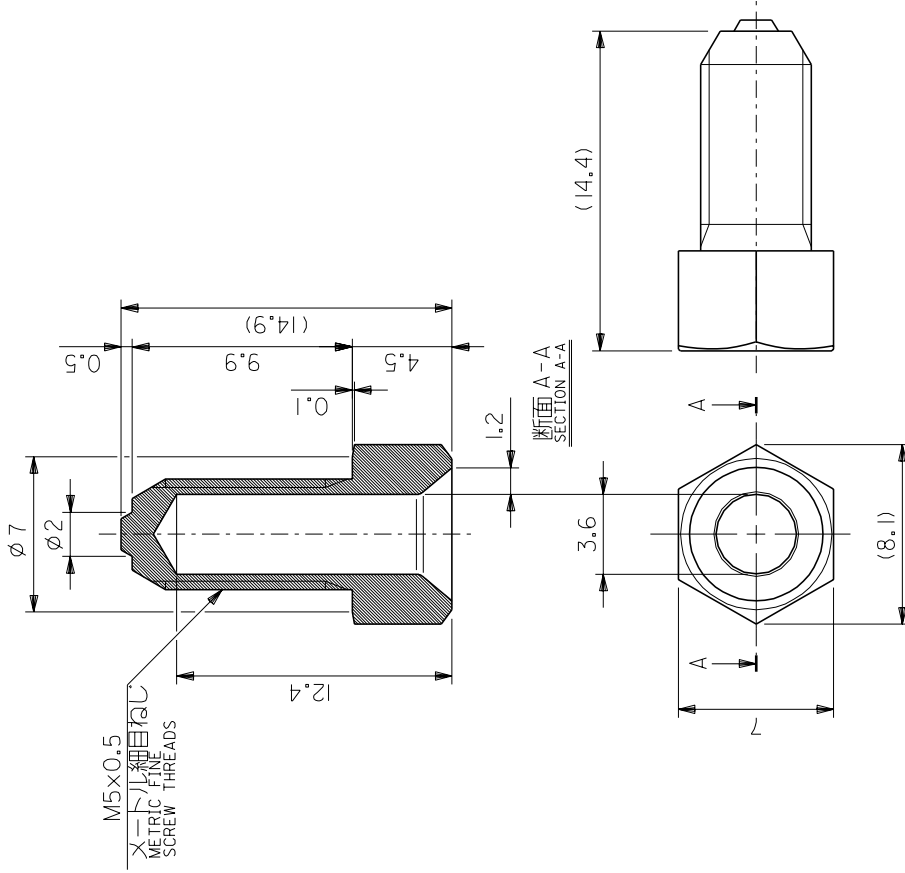
Click to view price, real time Inventory, Delivery & Lifecycle Information:

[Molex Connector Corporation](#)
[0580010000](#)

For any questions, you can email us directly:

sales@integrated-circuit.com

DWG. NO. SD-58001-0000



注) NOTES

1. 材質 : 鋼材
MATERIAL : STEEL
2. ヌツギ仕様 : ニツケル 2.0µm MIN.
PLATING SPECIFICATION : NICKEL

角度	ANGLE	+3°
30以上	OVER	+0.3
10以上	OVER	+0.25
10未満	UNDER	+0.2
一般公差		
GENERAL TOLERANCES		

材料	MATERIAL	MOLEX-JAPAN CO.,LTD. MOLEX 日本モレックス株式会社
注) 参照	SEE NOTES	
仕上げ	FINISH	
適用電線範囲	WIRE RANGE	
被覆外径	INS. RANGE	
DRAWN BY	95/6/28	CHK'D BY
APPR'D BY	H. Sakai	DATE
新編作成	RELEASED	(150551)
変更内容	REVISION RECORD	
記号	LTR	DR. DATE
		CHK. DATE
		SCALE 4-1
		DWG. NO. SD-58001-0000
		REV. 0

DIMENSIONS IN METRIC DO NOT SCALE DRAWING

ZF3110.032158001.DGN