

Excellent Integrated System Limited

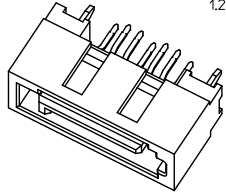
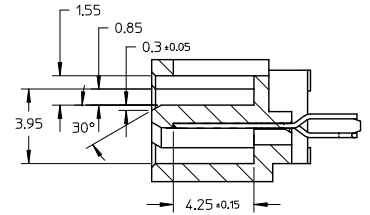
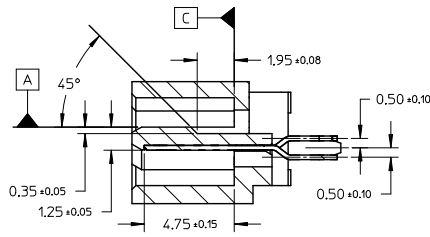
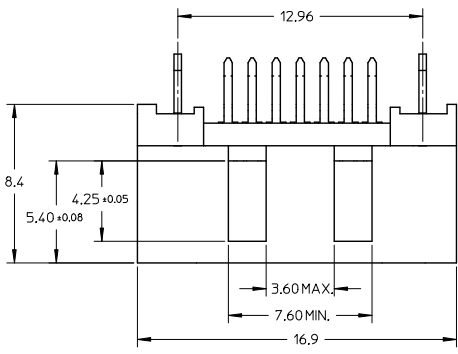
Stocking Distributor

Click to view price, real time Inventory, Delivery & Lifecycle Information:

[Molex Connector Corporation](#)
[0678008101](#)

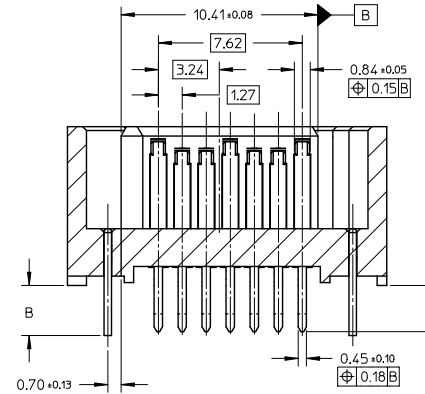
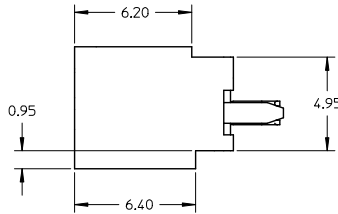
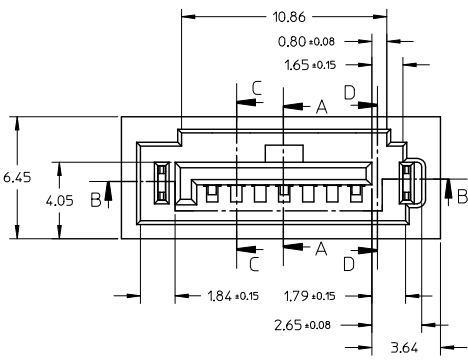
For any questions, you can email us directly:

sales@integrated-circuit.com

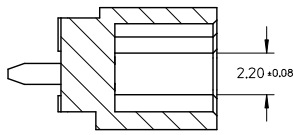


SECTION A-A

SECTION C-C



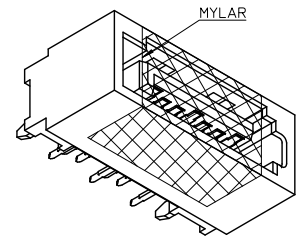
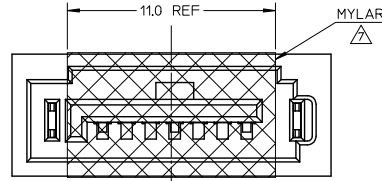
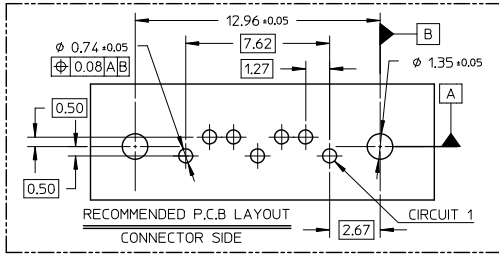
SECTION B-B



SECTION D-D

REMOVE PART NUMBER EC NO: SH2012-0062 DRAWN BY: XZHZHANG 2012/01/30 CHKD BY: XZHZHANG 2012/01/30 APPR: ATIN 2012/02/02	DESCRIPTION REV	QUALITY SYMBOLS	GENERAL TOLERANCES (UNLESS SPECIFIED)		DIMENSION STYLE MM ONLY		SCALE 5:1	DESIGN UNITS METRIC	THIRD ANGLE PROJECTION	
		▽=0	4 PLACES ± ---	± ---	DRAWN BY GRATE	DATE 2004/02/02	TITLE HIGH SPEED CONNECTOR 1.27MM PITCH VERTICAL DIP SOLDER TAIL MOLEX INCORPORATED			
		▽=0	3 PLACES ± ---	± ---	CHECKED BY YAJUN	DATE 2004/02/02				
		▽=0	2 PLACES ± 0.15	± ---	APPROVED BY SAM	DATE 2004/02/02				
▽=0	1 PLACE ± 0.25	± ---	MATERIAL NO. SEE SHEET 2		DOCUMENT NO. SD-67800-008	SHEET NO. 1 OF 2				
DRAFT WHERE APPLICABLE MUST REMAIN WITHIN DIMENSIONS			THIS DRAWING CONTAINS INFORMATION THAT IS PROPRIETARY TO MOLEX INCORPORATED AND SHOULD NOT BE USED WITHOUT WRITTEN PERMISSION							

10 9 8 7 6 5 4 3 2 1



SCHEMATIC DRAWING OF MYLAR
ONLY FOR 678008205
(SCALE 5:1)

NOTES:

1. MATERIAL:
HOUSING/COLOR: SEE TABLE, GLASS FILLED, UL94V-0
TERMINAL/PEG: BRASS
 2. TERMINAL PLATING:
CONTACT AREA: (a) GOLD FLASH
(b) GOLD, THICKNESS=0.76 MICRON MINIMUM
(c) GOLD, THICKNESS=0.38 MICRON MINIMUM
SOLDER TAIL: TIN PLATED 1.27 MICRON MINIMUM
OVER NICKEL PLATED 1.27 MICRON MINIMUM
 3. PEG PLATING: TIN PLATED 1.27 MICRON MINIMUM
OVER NICKEL PLATED 1.8 MICRON MINIMUM
 4. PACKAGING SPECIFICATION:
FOR 67800-8205: TAPE & REEL, PK-67800-003
FOR OTHER P/N: TRAY, PK-67800-001
 5. PRODUCT SPECIFICATION REFER TO PS-67491-001
 6. RECOMMENDED SOLDERING PROCESS:
THERMAL PLASTIC FOR WAVE SOLDERING PROCESS
HIGH TEMPERATURE THERMAL PLASTIC FOR IR SOLDERING PROCESS
- THE MYLAR STICKED ON THE HOUSING IS JUST USED FOR PICK-UP PLACE, PLEASE REMOVE IT AFTER REFLOW

PART NUMBER	PLATING TYPE	DIM A	DIM B	P.C.B THICKNESS	PLASTIC TYPE	PLASTIC COLOR	REMARK
67800-8245	SEE NOTE2(c)	2.10			THERMAL PLASTIC	NATURE	
67800-8041	SEE NOTE2(a)	2.45	2.65	1.60±0.05	THERMAL PLASTIC	PROCESS BLUE C ΔE<3	
67800-8085	SEE NOTE2(c)	3.25	3.45	2.40±0.05			
67800-8082	SEE NOTE2(b)				THERMAL PLASTIC	BLACK	PURE TIN
67800-8075	SEE NOTE2(c)						
67800-8072	SEE NOTE2(b)	2.85	3.05	2.00±0.05	THERMAL PLASTIC	BLACK	PURE TIN
67800-8071	SEE NOTE2(a)						
67800-8235	SEE NOTE2(c)	2.10			THERMAL PLASTIC	BLACK	PURE TIN
67800-8035	SEE NOTE2(c)	2.45	2.65	1.60±0.05			
67800-8032	SEE NOTE2(b)				THERMAL PLASTIC	BLACK	PURE TIN
67800-8025	SEE NOTE2(c)	3.25	3.45	2.40±0.05			
67800-8021	SEE NOTE2(a)				THERMAL PLASTIC	BLACK	PURE TIN
67800-8305	SEE NOTE2(c)	2.10					
67800-8005	SEE NOTE2(c)				THERMAL PLASTIC	BLACK	PURE TIN
67800-8002	SEE NOTE2(b)	2.45	2.65	1.60±0.05			
67800-8001	SEE NOTE2(a)				THERMAL PLASTIC	BLACK	PURE TIN
67800-8125	SEE NOTE2(c)	3.25	3.45	2.40±0.05			
67800-8122	SEE NOTE2(b)				HIGH TEMPERATURE THERMAL PLASTIC	BLACK	PURE TIN
67800-8115	SEE NOTE2(c)	2.85	3.05	2.00±0.05			
67800-8205	SEE NOTE2(c)				THERMAL PLASTIC	BLACK	PURE TIN
67800-8102	SEE NOTE2(b)	2.45	2.65	1.60±0.05			
67800-8101	SEE NOTE2(a)				THERMAL PLASTIC	BLACK	PURE TIN

SEE SHEET 1 EC NO: SH2012-0062 GJDRW: XZHANG 2012/01/30 CHKD: XZHANG 2012/01/30 APPR: ATIN 2012/02/02	QUALITY SYMBOLS √=0 ∇=0 ∇=0	GENERAL TOLERANCES (UNLESS SPECIFIED)		DIMENSION STYLE MM ONLY		SCALE 1:1	DESIGN UNITS METRIC	THIRD ANGLE PROJECTION	
			mm	INCH	DRAWN BY GRATE	DATE 2004/02/02	TITLE HIGH SPEED CONNECTOR 1.27MM PITCH VERTICAL DIP SOLDER TAIL		
		4 PLACES ±---	±---		CHECKED BY YA JUN	DATE 2004/02/02	MOLEX INCORPORATED		
		3 PLACES ±---	±---		APPROVED BY SAM	DATE 2004/02/02	MATERIAL NO. SEE TABLE		
							DOCUMENT NO. SD-67800-008	SHEET NO. 2 OF 2	
DRAFT WHERE APPLICABLE MUST REMAIN WITHIN DIMENSIONS THIS DRAWING CONTAINS INFORMATION THAT IS PROPRIETARY TO MOLEX INCORPORATED AND SHOULD NOT BE USED WITHOUT WRITTEN PERMISSION									

9 8 7 6 5 4 3 2 1