

Excellent Integrated System Limited

Stocking Distributor

Click to view price, real time Inventory, Delivery & Lifecycle Information:

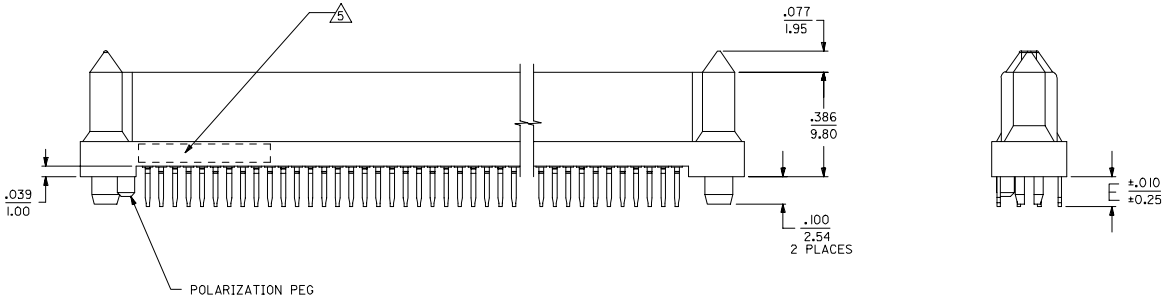
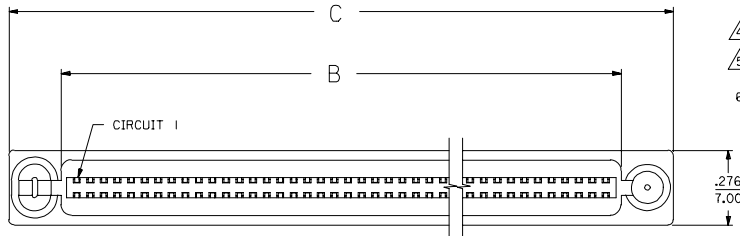
[Molex Connector Corporation](#)
[0716606068](#)

For any questions, you can email us directly:

sales@integrated-circuit.com

NOTES:

- 1) MATERIALS:
HOUSING- GLASS FILLED LCP (LIQUID CRYSTAL POLYMER), UL94V-0, BLACK.
TERMINALS- COPPER ALLOY
- 2) FINISH:
TERMINALS: GOLD (Au) IN THE CONTACT AREA;
THICKNESS= 30 MICROINCH/0.76 MICROMETER MINIMUM;
TIN (Sn) IN THE PC TAIL AREA;
THICKNESS=100 MICROINCH/2.54 MICROMETER MINIMUM;
NICKEL (Ni) UNDERPLATE OVERALL.
CONTACT AREA IS COATED WITH MOLEX PROPRIETARY LUBE
- 3) MATES WITH MOLEX PRODUCT 71661-7***.
CONFORMS TO PRODUCT SPECIFICATION PS-71660.
- 4) RECOMMENDED P.C. BOARD THICKNESS IS .062 INCH/1.6 MM.
- 5) FOUR DIGIT DATE CODE TO BE LOCATED ON SURFACE AS SHOWN.
- 6) PACKAGED PER MOLEX SPEC PK-71660.



2	A
1	A
SHT	REV

INITIAL RELEASE EC NO: UC2004-2054 DRAWN BY: 2005/02/08 CHKD BY: 2005/02/08 APPR: MILLER 2005/02/11	QUALITY SYMBOLS ▽=0 ▽=0	GENERAL TOLERANCES (UNLESS SPECIFIED)		DIMENSION STYLE IN/MM	SCALE 4:1	DESIGN UNITS INCH	THIRD ANGLE PROJECTION		
		4 PLACES ±.005 ±.005	3 PLACES ±.005 ±.005	2 PLACES ±.013 ±.010	1 PLACE ±0.25 ±.005	DRAWN BY: BARKER DATE: 04/04/19	CHECKED BY: MORGAN DATE: 04/04/19	APPROVED BY: MILLER DATE: 04/04/19	TITLE SALES ASSEMBLY - MOLEX EBBI 50D VERTICAL BLIND MATE RECEPTACLE W/ LUBE
		ANGULAR ± 2 °		DRAFT WHERE APPLICABLE MUST REMAIN WITHIN DIMENSIONS		MATERIAL NO. SEE TABLE	DOCUMENT NO. SD-71660-003	MOLEX INCORPORATED	
		A		REV		SIZE C	THIS DRAWING CONTAINS INFORMATION THAT IS PROPRIETARY TO MOLEX INCORPORATED AND SHOULD NOT BE USED WITHOUT WRITTEN PERMISSION		

