

## Excellent Integrated System Limited

Stocking Distributor

Click to view price, real time Inventory, Delivery & Lifecycle Information:

[Molex Connector Corporation](#)  
[0733300180](#)

For any questions, you can email us directly:

[sales@integrated-circuit.com](mailto:sales@integrated-circuit.com)

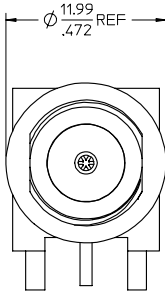
MATERIALS AND FINISHES

BODY ZINC ALLOY  
PLATED MATTE TIN OVER NICKEL

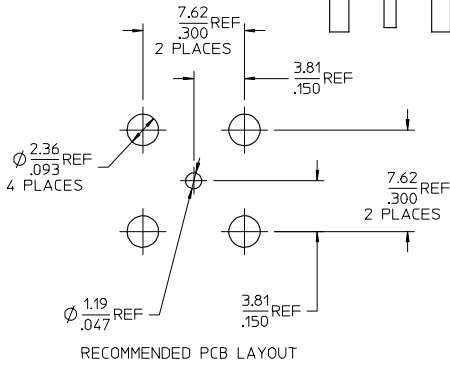
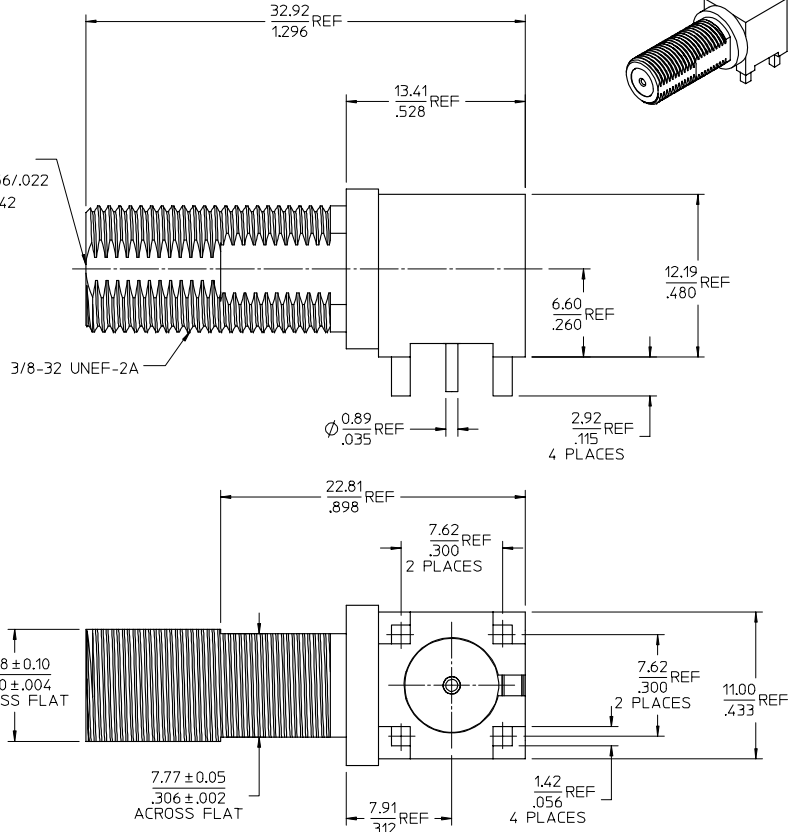
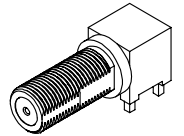
REAR CONTACT BRASS OR PHOSPHOR BRONZE  
PLATED MATTE TIN OVER NICKEL

FRONT CONTACT BERYLLIUM COPPER  
PLATED GOLD

INSULATOR TEFLON



F JACK  
INTERFACE  
ACCEPTS  $\phi 0.561.022$   
THRU  $\phi 1.071.042$



RECOMMENDED PCB LAYOUT

PART # 73330-0180

CHG: REDREW TO STOP REVISIONS COMPONENTS EC NO: URF2006-0268 DRW: TELAHARTY 2005/12/16 CHK: KOS SHAH 2005/12/16 APPR: JMWENER 2005/12/16 A1	QUALITY SYMBOLS ▽=0 ▽=0	GENERAL TOLERANCES (UNLESS SPECIFIED)		DIMENSION STYLE MM/IN	SCALE DESIGN UNITS METRIC	THIRD ANGLE PROJECTION
		4 PLACES ± --- ± --- 3 PLACES ± --- ± --- 2 PLACES ± --- ± --- 1 PLACE ± --- ± ---	DRAWN BY JOHN DATE 2005/08/09	TITLE F R/A .75 OHM PCB TYPE, EWR-2968 F-RA/PCB		
		ANGULAR ± 2 °	APPROVED BY MISEN DATE 2005/08/09	MOLEX INCORPORATED		
		DRAFT WHERE APPLICABLE MUST REMAIN WITHIN DIMENSIONS	MATERIAL NO. 733300180	DOCUMENT NO. SD-73330-018	SHEET NO. 1 OF 1	