

Excellent Integrated System Limited

Stocking Distributor

Click to view price, real time Inventory, Delivery & Lifecycle Information:

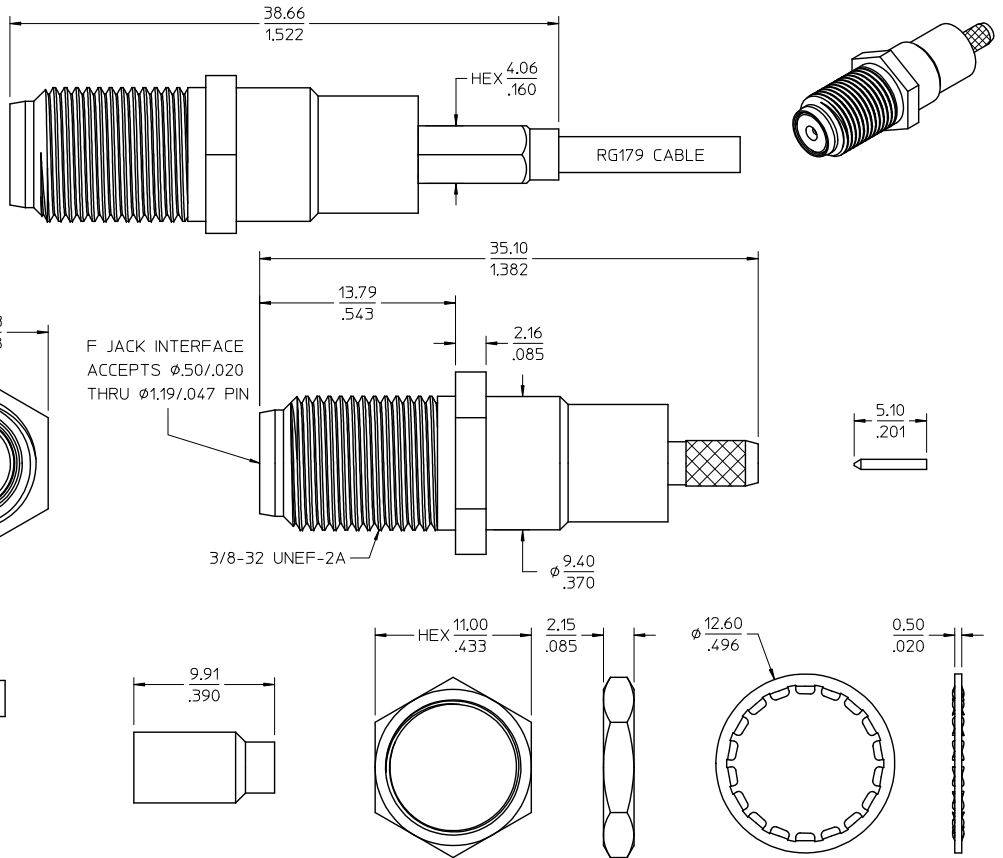
[Molex Connector Corporation](#)
[0733560180](#)

For any questions, you can email us directly:

sales@integrated-circuit.com

MATERIALS AND FINISHES

- BODY: ZINC ALLOY
PLATED NICKEL
- CRIMP TUBE, JAM NUT: BRASS
PLATED NICKEL
- CENTER CONTACT: PHOSPHOR BRONZE
PLATED TIN
- CABLE CONTACT: BRASS
PLATED TIN
- INSULATOR: POLYPROPYLENE, TEFLON
- LOCK WASHER: PHOSPHOR BRONZE
PLATED NICKEL



73356-0180	BULK
PART NO	PACKAGING
AS-89678-3400	CABLE ASSEMBLY INSTRU
PS-89675-1710	ELEC/MECH PERFORMANCE
SPECIFICATION	DESCRIPTION

CHG: UPDATED VIEWS PER: REF: E031 EC NO: URF2014-0120 DRAWN BY: 2013/10/04 CHKD: 2013/10/23 APPR: HJANG	QUALITY SYMBOLS □=0 ▽=0 ▽=0	GENERAL TOLERANCES (UNLESS SPECIFIED) mm INCH 4 PLACES ± --- ± --- 3 PLACES ± --- ± --- 2 PLACES ± --- ± --- 1 PLACE ± --- ± --- 0 PLACE ± --- ± ---	DIMENSION STYLE MM/IN DRAWN BY: SSS DATE: 2000/08/18 CHECKED BY: TEF DATE: 2000/08/18 APPROVED BY: GMH DATE: 2000/08/18	SCALE: 5:1 DESIGN UNITS: METRIC THIRD ANGLE PROJECTION	TITLE: F JACK STR BKHD W/O D-FLAT FOR RG179 F-J/CABLE molex MATERIAL NO. SEE TABLE DOCUMENT NO. SD-73356-018	SHEET NO. 1 OF 1
		ANGULAR ± 2 ° DRAFT WHERE APPLICABLE MUST REMAIN WITHIN DIMENSIONS	THIS DRAWING CONTAINS INFORMATION THAT IS PROPRIETARY TO MOLEX INCORPORATED AND SHOULD NOT BE USED WITHOUT WRITTEN PERMISSION			