

## Excellent Integrated System Limited

Stocking Distributor

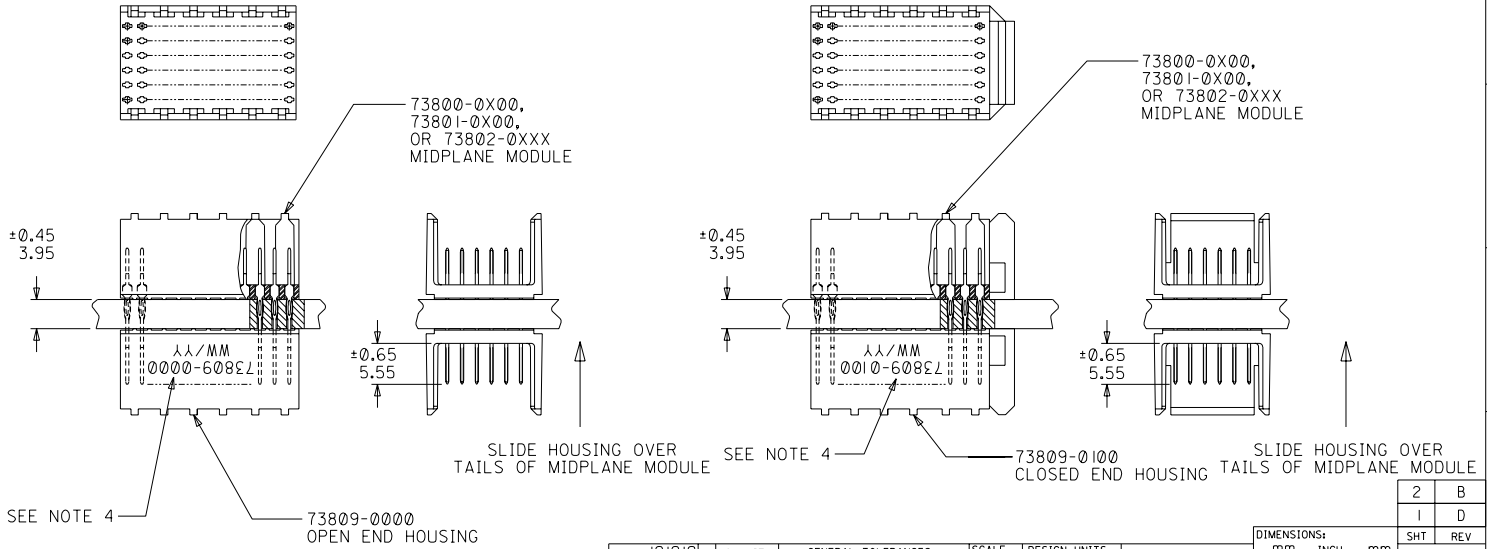
Click to view price, real time Inventory, Delivery & Lifecycle Information:

[Molex Connector Corporation](#)  
[0738090209](#)

For any questions, you can email us directly:  
[sales@integrated-circuit.com](mailto:sales@integrated-circuit.com)

**NOTES:**

1. HOUSING MATERIALS: LIQUID CRYSTAL POLYMER (LCP), GLASS-FILLED, UL94V-0, COLOR: BLACK.
2. THIS PART CONFORMS TO MOLEX PRODUCT SPECIFICATION PS-73670-9999.
3. SEE DRAWINGS SD-73800-001, SD-73801-001, AND SD-73802-001 FOR DIMENSIONAL INFORMATION.
4. PARTS MARKED WITH PART NUMBER AND DATE CODE, ON EITHER SIDE, APPROXIMATELY WHERE SHOWN.
5. PARTS PACKAGED PER PK-70873-0818.



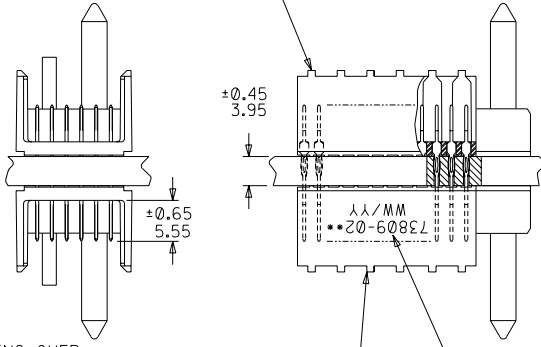
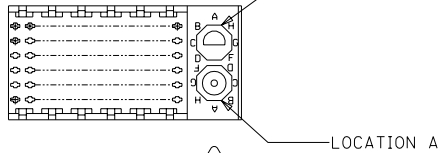
REVISED EC NO: LUCP2003-2260 DPNW: THOMAS 03/04/25 CHK: BINGHAM 03/04/25 APPR: SREED 03/04/25 D REV	QUALITY SYMBOLS MAJOR $\nabla$ = 0 CRITICAL $\nabla$ / C = 0	GENERAL TOLERANCES: (UNLESS SPECIFIED) mm INCH 4 PLACES $\pm 0.1$ $\pm$ 3 PLACES $\pm 0.15$ $\pm$ 2 PLACES $\pm 0.25$ $\pm$ 1 PLACE $\pm 0.4$ $\pm$ ANGULAR: $\pm 1/2^\circ$	SCALE 2 : 1 DESIGN UNITS <input checked="" type="checkbox"/> mm <input type="checkbox"/> INCH DRAWN BY & DATE JBINGHAM 97/06/19 CHECKED BY & DATE SREED 97/06/19 APPROVED BY & DATE CBIXLER 97/06/19 CAD FILENAME S73809X1.DGN	THIRD ANGLE PROJECTION DIMENSIONS: <input type="checkbox"/> mm <input type="checkbox"/> INCH <input type="checkbox"/> mm ONLY <input checked="" type="checkbox"/> mm ONLY TITLE: SALES ASSEMBLY, HDM DOUBLE-END MIDPLANE, 72 POS. SLIDE-ON HOUSING MOLEX INCORPORATED MATERIAL NO. SEE CHART DRAWING NO. SD-73809-001 SHEET NO. 1 OF 2 SIZE B
	DRAFT WHERE APPLICABLE MUST REMAIN WITHIN DIMENSIONS THIS DRAWING CONTAINS INFORMATION THAT IS PROPRIETARY TO MOLEX INCORPORATED AND SHOULD NOT BE USED WITHOUT WRITTEN PERMISSION.			
	DIMENSIONS: <input type="checkbox"/> mm <input type="checkbox"/> INCH <input type="checkbox"/> mm ONLY <input checked="" type="checkbox"/> mm ONLY			
	TITLE: SALES ASSEMBLY, HDM DOUBLE-END MIDPLANE, 72 POS. SLIDE-ON HOUSING MOLEX INCORPORATED			

73809- \* \* \* \*

0 = 72-CIRCUIT

0 = OPEN END VERSION  
1 = CLOSED END VERSION  
2 = POLAR/GUIDE VERSION

73800-0X00,  
73801-0X00,  
OR 73802-0XXX  
MIDPLANE MODULE



SLIDE HOUSING OVER  
TAILS OF MIDPLANE MODULE

73809-02XX  
POLAR/GUIDE HOUSING

SEE NOTE 5

NUMBER	GUIDE POST LOCATION	POLAR KEY POSITION
00	N/A	N/A
01	B	A
02	A	A
03	B	B
04	A	B
05	B	C
06	A	C
07	B	D
08	A	D
09	B	E
10	A	E
11	B	F
12	A	F
13	B	G
14	A	G
15	B	H
16	A	H
17	B	N/A
18	A	N/A

SEE SHEET 1 EC NO. UDT2000-0443 DRW: JBINGHAM 99/11/04 CHK: SREED 99/11/04 APPR: CBIXLER 99/11/04	QUALITY SYMBOLS MAJOR = 0 CRITICAL = 0 C = 0	GENERAL TOLERANCES: (UNLESS SPECIFIED)	SCALE 2 : 1	DESIGN UNITS <input checked="" type="checkbox"/> mm <input type="checkbox"/> INCH	DIMENSIONS: <input type="checkbox"/> mm <input type="checkbox"/> INCH <input checked="" type="checkbox"/> mm ONLY	SHT REV		
		4 PLACES ±0.1 ±. 3 PLACES ±0.1 ±. 2 PLACES ±0.05 ±. 1 PLACE ±0.10 ±.	ANGLAR: ± 1/2°	DRAFT WHERE APPLICABLE MUST REMAIN WITHIN DIMENSIONS	DRAWN BY & DATE JBINGHAM 97/06/19 CHECKED BY & DATE SREED 97/06/19 APPROVED BY & DATE CBIXLER 97/06/19	CAD FILENAME S73809X2.DGN	TITLE: SALES ASSEMBLY, HDM DOUBLE-END MIDPLANE, 72 POS. SLIDE-ON HOUSING MOLEX INCORPORATED	REVISE ON CAD ONLY
REV B					MATERIAL NO. SEE CHART	DRAWING NO. SD-73809-001	SHEET NO. 2	SIZE B