

Excellent Integrated System Limited

Stocking Distributor

Click to view price, real time Inventory, Delivery & Lifecycle Information:

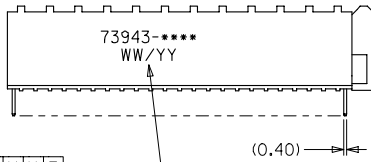
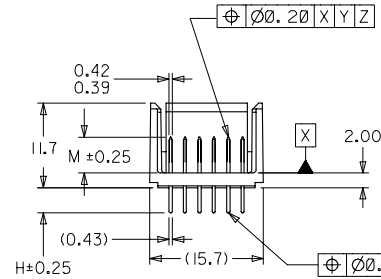
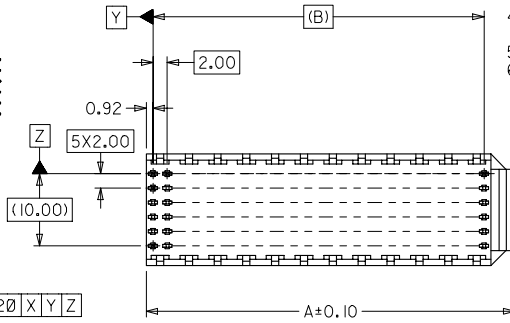
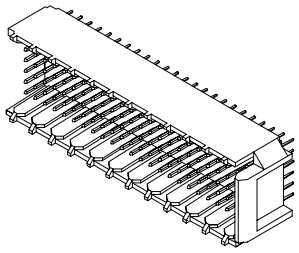
[Molex Connector Corporation](#)
[0739435200](#)

For any questions, you can email us directly:
sales@integrated-circuit.com

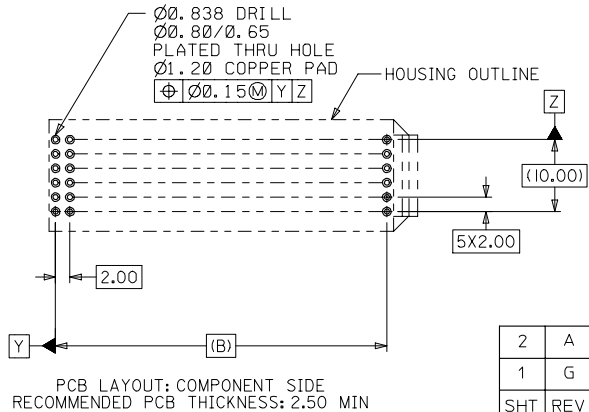
10 9 8 7 6 5 4 3 2 73943

NOTES:

1. MATERIALS: HOUSING--LIQUID CRYSTAL POLYMER (LCP), GLASS FILLED, UL94V-0, COLOR: BLACK, TERMINAL: PHOSPHOR BRONZE.
2. FINISH: 0.75 MICROMETERS MINIMUM SELECTIVE GOLD (Au) IN MATING AREA 2.50 MICROMETERS MINIMUM SELECTIVE TIN (Sn) IN TAIL AREA NICKEL (Ni) UNDERPLATE OVERALL.
3. THIS PART CONFORMS TO MOLEX PRODUCT SPECIFICATION PS-73670-9999.
4. FOR MIXED CONTACT MATING LENGTHS, CONSULT FACTORY FOR AVAILABILITY.
5. PACKAGE PER PK-70873-0818.
6. PARTS MARKED WITH PART NUMBER AND DATE CODE, ON EITHER SIDE, APPROXIMATELY WHERE SHOWN.



SEE NOTE 6



PCB LAYOUT: COMPONENT SIDE
RECOMMENDED PCB THICKNESS: 2.50 MIN

| | |
|-----|-----|
| 2 | A |
| 1 | G |
| SHT | REV |

| | | | | | | | | | |
|--|-------------------------------|---------------------------------------|------------|---|--------------------|------------|--|------------------------|--|
| MODIFY FINISH NOTE EC NO. UCP2007-2259 2007/03/13 GIDRINKAS BARBA 2007/03/21 CHYKOBARKER 2007/03/22 APPR: SHILLER | QUALITY SYMBOLS ▽=0 ▽=0 | GENERAL TOLERANCES (UNLESS SPECIFIED) | | DIMENSION STYLE | | SCALE | DESIGN UNITS | THIRD ANGLE PROJECTION | |
| | | | | MM ONLY | | 2:1 | METRIC | | |
| | | 4 PLACES | ±--- | ±--- | DRAWN BY | DATE | TITLE | | |
| | | 3 PLACES | ±--- | ±--- | JB INGHAM | 1998/01/13 | SALES ASSY HDM BACKPLANE END WALL OPTION SOLDER TAIL VERSION | | |
| 2 PLACES | ±0.05 | ±--- | CHECKED BY | DATE | MOLEX INCORPORATED | | | | |
| 1 PLACE | ±0.10 | ±--- | SREED | 1998/01/13 | | | | | |
| ANGULAR ±1/2° | | APPROVED BY | | DATE | | | | | |
| DRAFT WHERE APPLICABLE MUST REMAIN WITHIN DIMENSIONS | | MATERIAL NO. | | 1998/01/13 | DOCUMENT NO. | | | | |
| | | SEE CHART | | SD-73943-001 | | | SHEET NO. | | |
| | | SIZE B | | THIS DRAWING CONTAINS INFORMATION THAT IS PROPRIETARY TO MOLEX INCORPORATED AND SHOULD NOT BE USED WITHOUT WRITTEN PERMISSION | | | 1 OF 2 | | |

9 8 7 6 5 4 3 2 1

MATERIAL NUMBER ASSIGNMENT

73943-* * 0 0

| NUMBER | CIRCUIT SIZE | DIM "A" | DIM "B" | DIM "H" |
|--------|--------------|---------|---------|---------|
| 0 | 72 | 27.6 | 22.00 | 2.0 |
| 1 | 144 | 51.6 | 46.00 | 2.0 |
| 2 | 72 | 27.6 | 22.00 | 2.5 |
| 3 | 144 | 51.6 | 46.00 | 2.5 |
| 4 | 72 | 27.6 | 22.00 | 3.0 |
| 5 | 144 | 51.6 | 46.00 | 3.0 |
| 6 | 72 | 27.6 | 22.00 | 3.5 |
| 7 | 144 | 51.6 | 46.00 | 3.5 |

| NUMBER | DIM "M" |
|--------|---------|
| 0 | 5.0 |
| 1 | 5.5 |
| 2 | 6.0 |

| | | | | | | | | | |
|--|---|---|---|--|--|--|-------------------------------|-----------------------------|--|
| SEE SHEET 1 EC NO. U81577 DRAWN BY BINGHAM CHK: REED APPR: BIXLER REV A | DESCRIPTION MAJOR CRITICAL ✓/0 | QUALITY SYMBOLS =0 ✓/0 | GENERAL TOLERANCES: (UNLESS SPECIFIED) mm INCH 4 PLACES ±0. ±. 3 PLACES ±0. ±. 2 PLACES ±0.N/A ±. 1 PLACE ±0.NA/ ±. ANGULAR: ± ° | SCALE NO: NE DESIGN UNITS <input checked="" type="checkbox"/> mm <input type="checkbox"/> INCH DRAWN BY & DATE BINGHAM 98/01/13 CHECKED BY & DATE SREED 98/01/13 APPROVED BY & DATE CBIXLER 98/01/13 CAD FILENAME S73943X2.DGN | THIRD ANGLE PROJECTION <input type="checkbox"/> INCH <input type="checkbox"/> mm <input type="checkbox"/> mm <input checked="" type="checkbox"/> INCH ONLY | DIMENSIONS: mm INCH mm INCH ONLY | SHT REV REVISE ON CAD ONLY | | |
| | | TITLE: SALES ASS'Y, HDM BACKPLANE END WALL OPTION SOLDER TAIL VERSION | | | MOLEX INCORPORATED | | MATERIAL NO. SEE CHART | DRAWING NO. SD-73943-001 | SHEET NO. 2 |
| | | DRAFT WHERE APPLICABLE MUST REMAIN WITHIN DIMENSIONS | | | | | | | THIS DRAWING CONTAINS INFORMATION THAT IS PROPRIETARY TO MOLEX INCORPORATED AND SHOULD NOT BE USED WITHOUT WRITTEN PERMISSION. |