

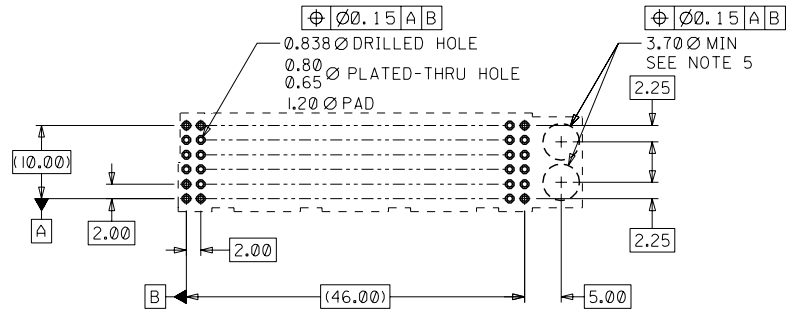
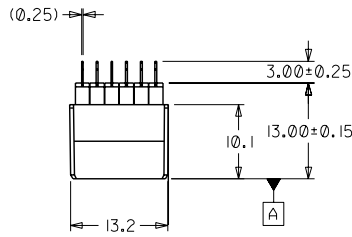
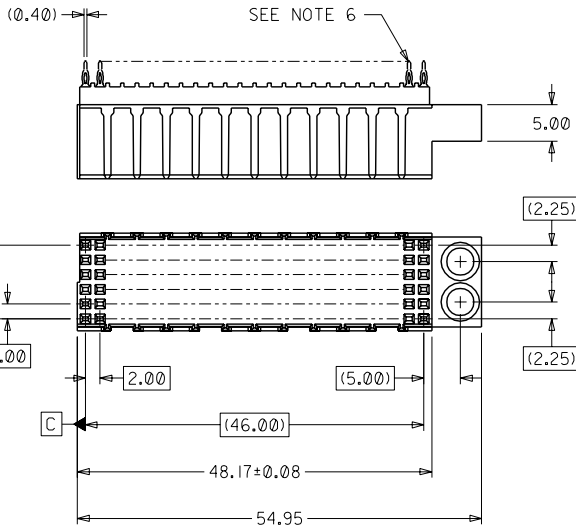
Excellent Integrated System Limited

Stocking Distributor

Click to view price, real time Inventory, Delivery & Lifecycle Information:

[Molex Connector Corporation](#)
[0743000001](#)

For any questions, you can email us directly:
sales@integrated-circuit.com



NOTES:

1. MATERIALS: HOUSING - LIQUID CRYSTAL POLYMER (LCP), GLASS-FILLED, 94V-0, COLOR: BLACK
TERMINALS - COPPER ALLOY
2. FINISH: GOLD (Au) 0.00076mm MINIMUM THICKNESS IN CONTACT AREA; SELECTIVE TIN/LEAD (Sn/Pb) 0.00038mm MINIMUM THICKNESS ON PRESS-FIT TAILS; NICKEL (Ni) OVERALL.
3. THIS PART CONFORMS TO MOLEX PRODUCT SPECIFICATION PS-73780-999.
4. PARTS TO BE PACKAGED IN TUBES PER PK-70873-0900.
5. DEPENDING ON APPLICATION, THIS HOLE MAY BE NEEDED FOR CLEARANCE OF BACKPLANE GUIDE PIN. LOCATION OF HOLE WILL DEPEND ON LOCATION OF GUIDE PIN.
6. TRUE POSITION OF PC TAILS IS INSPECTED USING GAUGE NUMBER 73727-0014.

RELEASED FOR PRODUCTION EC NO. UDT2002-0483 DRAWN BY: REED 01/09/20 CHK: BINGHAM 01/09/20 APPR: BIXLER 01/09/20	DESCRIPTION REV A	QUALITY SYMBOLS MAJOR = 0 CRITICAL = 0	GENERAL TOLERANCES: (UNLESS SPECIFIED)		SCALE 2 : 1	DESIGN UNITS <input checked="" type="checkbox"/> mm <input type="checkbox"/> INCH	THIRD ANGLE PROJECTION <input type="checkbox"/> mm <input type="checkbox"/> INCH <input checked="" type="checkbox"/> mm ONLY	DIMENSIONS:		SHT	REV
			4 PLACES ±0.---	±.---	DRAWN BY & DATE REED 01/09/20	TITLE: SALES ASSY, HDM DAUGHTERCARD STACKING MODULE, GUIDE OPTION		REVISE ON CAD ONLY			
DRAFT WHERE APPLICABLE MUST REMAIN WITHIN DIMENSIONS			ANGULAR: ±---°		CHECKED BY & DATE BINGHAM 01/09/20	APPROVED BY & DATE BIXLER 01/09/20	MOLEX INCORPORATED		MATERIAL NO. 74300-0001	DRAWING NO. SD-74300-001	SHEET NO. 1 OF 1
THIS DRAWING CONTAINS INFORMATION THAT IS PROPRIETARY TO MOLEX INCORPORATED AND SHOULD NOT BE USED WITHOUT WRITTEN PERMISSION.											