



**Distributor of Molex Connector Corporation: Excellent Integrated System Limited**  
Datasheet of 0743206600 - Connector Receptacle DVI-I, Dual Link 28 Position Through Hole,  
Vertical

Contact us: [sales@integrated-circuit.com](mailto:sales@integrated-circuit.com) Website: [www.integrated-circuit.com](http://www.integrated-circuit.com)

---

## **Excellent Integrated System Limited**

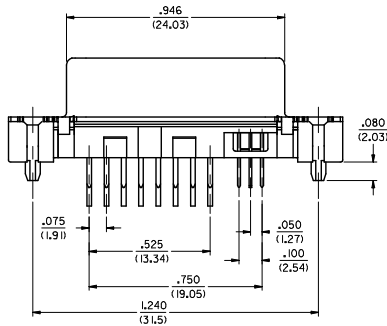
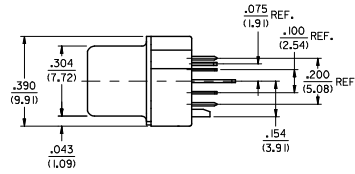
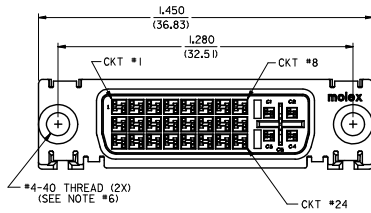
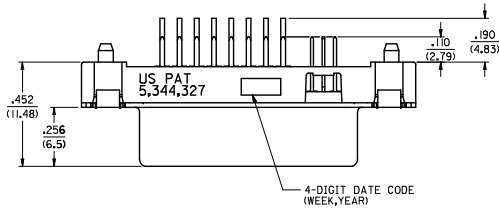
Stocking Distributor

Click to view price, real time Inventory, Delivery & Lifecycle Information:

[Molex Connector Corporation](#)  
[0743206600](#)

For any questions, you can email us directly:  
[sales@integrated-circuit.com](mailto:sales@integrated-circuit.com)

Contact us: sales@integrated-circuit.com Website: www.integrated-circuit.com



**NOTES:**

- MATERIAL:**  
SHIELD: DEEP DRAW STEEL,  
HOUSING: LCP, UL94V-0, NATURAL (WHITE),  
CONTACT: COPPER ALLOY.
- PLATING:**  
OUTER SHIELD: 150µ/(13.75µm) MIN. BRIGHT TIN OVER  
50µ/(1.27µm) MIN. NICKEL OVER COPPER FLASH.  
0.075"/(1.91mm) CONTACTS: SELECT GOLD FLASH AND  
100µ/(2.50µm) MIN. SELECT PURE TIN  
OVER 50µ/(1.27µm) MIN. NICKEL OVERALL.  
0.100"/(2.54mm) CONTACTS: SELECT GOLD FLASH AND  
100µ/(2.50µm) MIN. SELECT PURE TIN  
OVER 50µ/(1.27µm) MIN. NICKEL OVERALL.
- PRODUCT CONFORMS TO MOLEX PRODUCT SPECIFICATION NUMBER PS-74320-001.
- PARTS WILL BE PACKAGED IN TRAYS PER PK-74320-010.
- PRODUCT CONFORMS TO DDWG DVI SPECIFICATION, REFER TO THIS SPECIFICATION FOR CONNECTOR MATING DIMENSIONS.
- REFER TO PRODUCT SPECIFICATION NUMBER PS-74320-001 FOR THIS APPLICATION TORQUE REQUIREMENT.

<b>REVISED</b> EC NO. SH2015-02200 DRAWN: XQZHANG 2014/12/11 CHECKED: XQZHANG 2014/12/11 APPR: AYIN 2015/02/09	<b>DESCRIPTION</b> QUALITY SYMBOLS √=0 √=0 √=0	<b>GENERAL TOLERANCES (UNLESS SPECIFIED)</b>		<b>DIMENSION STYLE</b> IN/MM		SCALE 1:1	DESIGN UNITS INCH	THIRD ANGLE PROJECTION	
		4 PLACES ± --- ± ---	mm	INCH	DRAWN BY	DATE	DVI-I VERTICAL RECEPTACLE ASSEMBLY FOR ADAPTER <b>molex</b> DOCUMENT NO. SD-74320-010 SHEET NO. 1 OF 1		
		3 PLACES ± --- ± 0.010			CHECKED BY	DATE			
		2 PLACES ± 0.25 ± 0.010			XQZHANG	2014/12/11			
1 PLACE ± 0.25 ± 0.010			APPROVED BY	DATE					
0 PLACE ± --- ± ---			AYIN	2015/02/09	MATERIAL NO. 74320-6600				
ANGULAR ± 0.5° DRAFT WHERE APPLICABLE MUST REMAIN WITHIN DIMENSIONS				SIZE A		THIS DRAWING CONTAINS INFORMATION THAT IS PROPRIETARY TO MOLEX INCORPORATED AND SHOULD NOT BE USED WITHOUT WRITTEN PERMISSION			