



Distributor of Molex Connector Corporation: Excellent Integrated System Limited
Datasheet of 0743209024 - Connector Receptacle DVI-D, Dual Link 24 Position Through Hole,
Right Angle, Horizontal

Contact us: sales@integrated-circuit.com Website: www.integrated-circuit.com

Excellent Integrated System Limited

Stocking Distributor

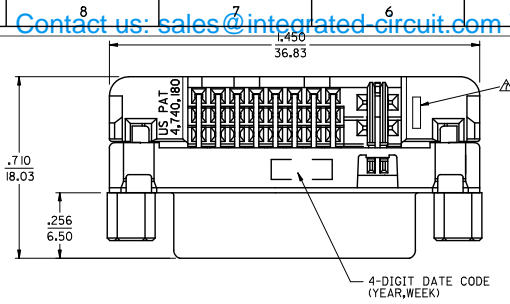
Click to view price, real time Inventory, Delivery & Lifecycle Information:

[Molex Connector Corporation](#)
[0743209024](#)

For any questions, you can email us directly:
sales@integrated-circuit.com

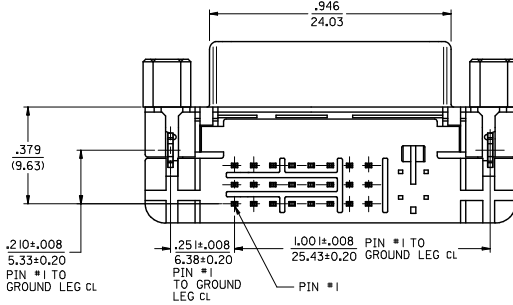
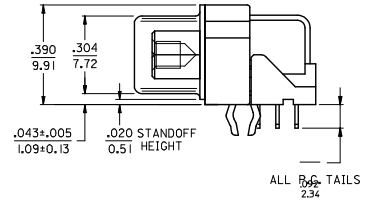
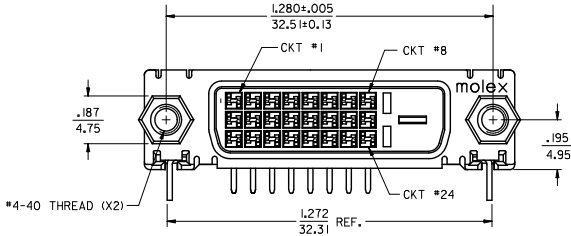
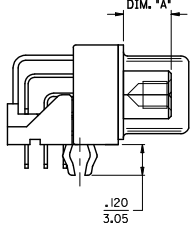
Contact us: sales@integrated-circuit.com Website: www.integrated-circuit.com

PART NUMBER	DIM 'A'	PLATING OPTION
74320-9020	.187 4.75	1 (30μ Au)
74320-9024	.256 6.50	2 (Au FLASH)



NOTES:

- MATERIALS:
SHIELD -- DEEP DRAW STEEL.
HOUSING -- GLASS FILLED POLYMER, WHITE/NATURAL, UL 94V-0.
TAIL ALIGNER -- GLASS FILLED POLYMER, WHITE/NATURAL, UL 94V-0.
CONTACTS -- COPPER ALLOY.
MICROCROSS GROUND -- COPPER ALLOY.
JACKPOSTS -- STEEL, ZINC PLATE W/CLEAR CHROMATE.
 - PLATING: SEE SHEET 2
 - PRODUCT CONFORMS TO MOLEX PRODUCT SPECIFICATION PS-74320-001.
 - SEE SHEET 2 FOR RECOMMENDED P.C.B. LAYOUT.
 - PARTS WILL BE PACKAGED IN TRAYS.
 - PRODUCT CONFORMS TO DDWG DVI SPECIFICATION, REFER TO THIS SPECIFICATION FOR CONNECTOR INTERFACE DIMENSIONS.
- △ CAVITY NO. AND MANUFACTURING PLANT CODE.



REV	DESCRIPTION
1	REVISE EC NO. SH2012-0047
2	CHKD: XJ SONG
3	APPR: RZHANG

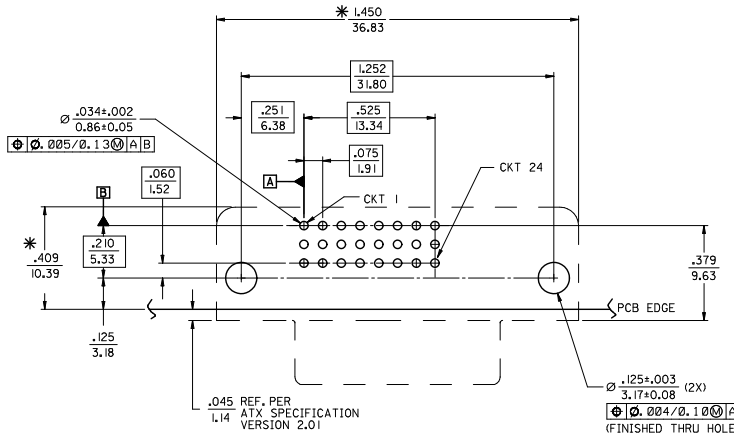
QUALITY SYMBOLS
▽=0
▽=0

GENERAL TOLERANCES (UNLESS SPECIFIED)	
	INCH
4 PLACES	±.005
3 PLACES	±.010
2 PLACES	±.025
1 PLACE	±.050
ANGULAR ±1/2°	

DIMENSION STYLE	
IN/MM	
DRAWN BY	DATE
TMCLELL	99/12/07
CHECKED BY	DATE
SCHMIDGA	99/12/07
APPROVED BY	DATE
NELSON	99/12/07

SCALE	DESIGN UNITS	THIRD ANGLE PROJECTION
1:1	INCH	☉
TITLE		
DVI-D/ATX RIGHT ANGLE RECEPTACLE CONNECTOR W/JACKPOSTS		
MOLEX INCORPORATED		
MATERIAL NO.	DOCUMENT NO.	SHEET NO.
SEE TABLE	SD-74320-027	1 OF 2

Contact us: sales@integrated-circuit.com Website: www.integrated-circuit.com



PLATING OPTIONS:

PLATING OPTION #1:

OUTER SHIELD -- 150µ/(3.75µm) MIN. BRIGHT TIN OVER 50µ/(1.27µm) MIN. NICKEL OVER COPPER FLASH
.075"/(1.91mm) CONTACTS -- 30µ/(0.75µm) MIN. SELECT GOLD AND 100µ/(2.50µm) MIN. SELECT PURE TIN OVER 50µ/(1.27µm) MIN. NICKEL OVERALL.

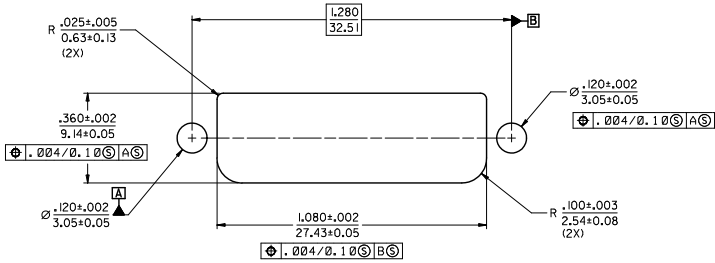
PLATING OPTION #2:

OUTER SHIELD -- 150µ/(3.75µm) MIN. BRIGHT TIN OVER 50µ/(1.27µm) MIN. NICKEL OVER COPPER FLASH
.075"/(1.91mm) CONTACTS -- SELECT GOLD FLASH AND 100µ/(2.50µm) MIN. SELECT PURE TIN OVER 50µ/(1.27µm) MIN. NICKEL OVERALL.

RECOMMENDED PCB LAYOUT

COMPONENT SIDE OF PCB SHOWN

* THESE DIMENSIONS REPRESENT CONNECTOR OVERLAY ON PCB.



RECOMMENDED PANEL CUT-OUT

PANEL THICKNESS: .030" - .040"

SEE SHEET1 EC NO: SH2012-0047 DRAWN: J.SONG 2011/08/19 CHECK: J.SONG 2011/08/19 APPR: R.ZHANG 2011/08/22	QUALITY SYMBOLS ▽=0 ▽=0	GENERAL TOLERANCES (UNLESS SPECIFIED)		DIMENSION STYLE IN/MM		SCALE 1:1	DESIGN UNITS INCH	THIRD ANGLE PROJECTION
		4 PLACES ± --- ± --- 3 PLACES ± --- ± .010 2 PLACES ± 0.25 ± .010 1 PLACE ± 0.25 ± .010 ANGULAR ± 1/2°	DRAWN BY TMCLELL 99/12/07	DATE 99/12/07	TITLE DVI-D/ATX RIGHT ANGLE RECEPTACLE CONNECTOR W/JACKPOSTS	MOLEX INCORPORATED	MATERIAL NO. SEE SHEET1	DOCUMENT NO. SD-74320-027
DRAFT WHERE APPLICABLE MUST REMAIN WITHIN DIMENSIONS		THIS DRAWING CONTAINS INFORMATION THAT IS PROPRIETARY TO MOLEX INCORPORATED AND SHOULD NOT BE USED WITHOUT WRITTEN PERMISSION						