



Distributor of Molex Connector Corporation: Excellent Integrated System Limited
Datasheet of 0743209034 - Connector Receptacle DVI-I, Dual Link 29 Position Through Hole,
Right Angle, Horizontal

Contact us: sales@integrated-circuit.com Website: www.integrated-circuit.com

Excellent Integrated System Limited

Stocking Distributor

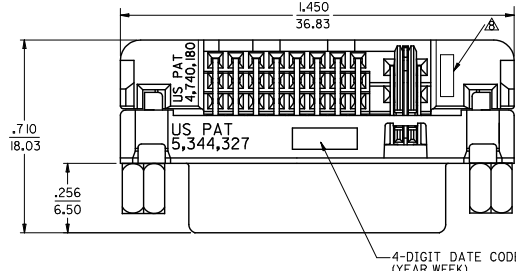
Click to view price, real time Inventory, Delivery & Lifecycle Information:

[Molex Connector Corporation](#)
[0743209034](#)

For any questions, you can email us directly:
sales@integrated-circuit.com

Contact us: sales@integrated-circuit.com Website: www.integrated-circuit.com

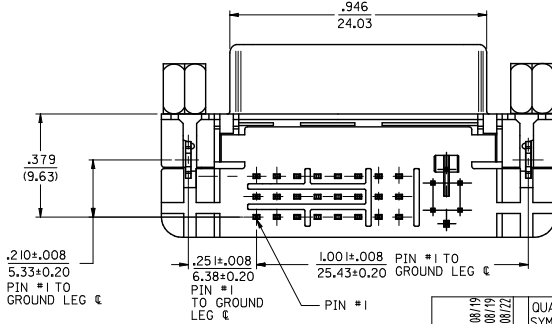
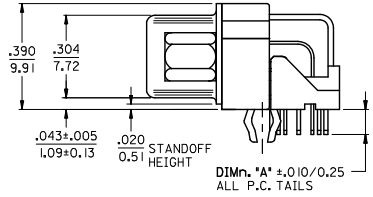
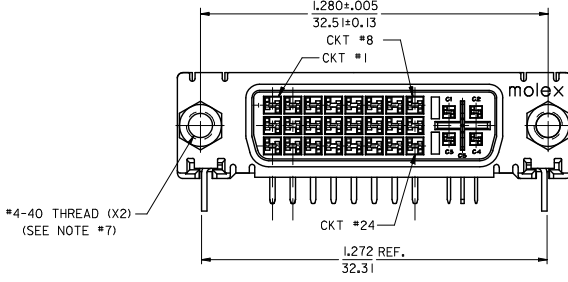
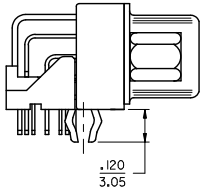
PART NUMBER	DIM "A"	PLATING OPTION
74320-9034	.092/2.34	2
74320-9033	.092/2.34	1



NOTES:

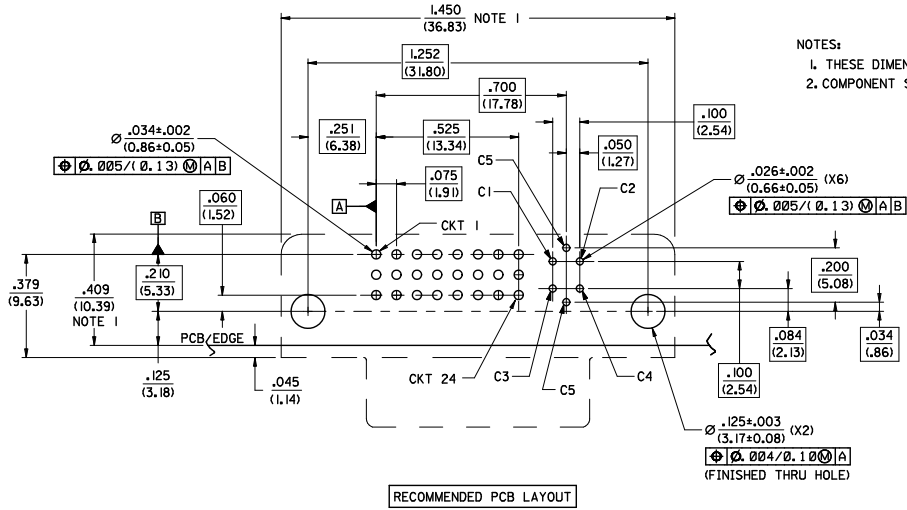
- MATERIALS:**
SHIELD -- DEEP DRAW STEEL.
HOUSING -- GLASS FILLED POLYMER, WHITE/NATURAL, UL 94v-0.
TAIL ALIGNER -- GLASS FILLED POLYMER, WHITE/NATURAL, UL 94v-0.
CONTACTS -- COPPER ALLOY.
MICROGROSS GROUND -- COPPER ALLOY.
- PLATING: SEE SHEET 2
- PRODUCT CONFORMS TO MOLEX PRODUCT SPECIFICATION NUMBER PS-74320-001.
- SEE SHEET 2 FOR RECOMMENDED PANEL CUT-OUT AND P.C.B. LAYOUT.
- PARTS WILL BE PACKAGED IN TRAYS PER PK-74320-044.
- PRODUCT CONFORMS TO DDWG DVI SPECIFICATION. REFER TO THIS SPECIFICATION FOR CONNECTOR MATING DIMENSIONS.
- MOUNTING HARDWARE IS MOLEX P/N 88780-6066. REFER TO PRODUCT SPECIFICATION NUMBER PS-74320-001 FOR THE APPLICATION TORQUE REQUIREMENT FOR ASSEMBLING MOUNTING HARDWARE.

▲ CAVITY NO. AND MANUFACTURING PLANT CODE.

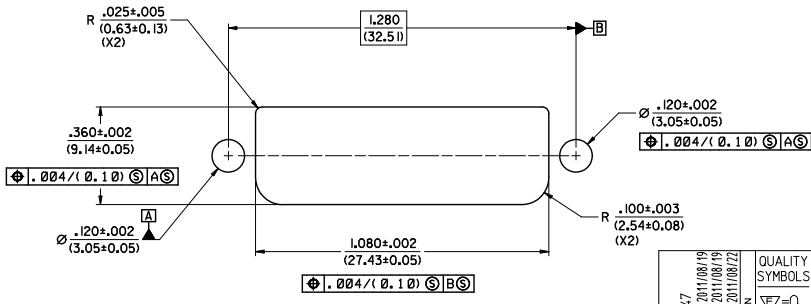


REVISIONS		QUALITY SYMBOLS	GENERAL TOLERANCES (UNLESS SPECIFIED)	DIMENSION STYLE	SCALE	DESIGN UNITS	THIRD ANGLE PROJECTION	
REV	DESCRIPTION		mm	IN/MM	1:1	INCH		
1	REVISE	▽=0	4 PLACES ±---	DRAWN BY TONY	DATE 03/03/04	TITLE DVI-I RIGHT ANGLE RECEPTACLE CONNECTOR W/FORKLOCK	MOLEX INCORPORATED	
2	DRW:WXS	▽=0	3 PLACES ±---	CHECKED BY WU YA JUN	DATE 03/03/18	MATERIAL NO. SEE TABLE		
3	CHK:KX	▽=0	2 PLACES ±0.25 ±.010	APPROVED BY RZHANG	DATE 2011/08/22	DOCUMENT NO. SD-74320-025	SHEET NO. 1 OF 2	
4	APP:RZHANG	▽=0	1 PLACE ±0.25 ±.010	DRAFT WHERE APPLICABLE MUST REMAIN WITHIN DIMENSIONS				INCORPORATED AND SHOULD NOT BE USED WITHOUT WRITTEN PERMISSION

Contact us: sales@integrated-circuit.com Website: www.integrated-circuit.com



NOTES:
1. THESE DIMENSIONS REPRESENT CONNECTOR OVERLAY ON PCB.
2. COMPONENT SIDE OF PCB SHOWN.



NOTE:
1. PANEL THICKNESS: .030" - .040".

PLATING OPTIONS:
PLATING OPTION #1:
OUTER SHIELD -- 150u"/(3.75um) MIN. BRIGHT TIN OVER 50u"/(1.27um) MIN. NICKEL OVER COPPER FLASH
.075"/(1.91mm) CONTACTS -- 30u"/(0.75um) MIN. SELECT GOLD AND 100u"/(2.50um) MIN. SELECT PURE TIN OVER 50u"/(1.27um) MIN. NICKEL OVERALL.
PLATING OPTION #2:
OUTER SHIELD -- 150u"/(3.75um) MIN. BRIGHT TIN OVER 50u"/(1.27um) MIN. NICKEL OVER COPPER FLASH
.075"/(1.91mm) CONTACTS -- SELECT GOLD FLASH AND 100u"/(2.50um) MIN. SELECT PURE TIN OVER 50u"/(1.27um) MIN. NICKEL OVERALL.

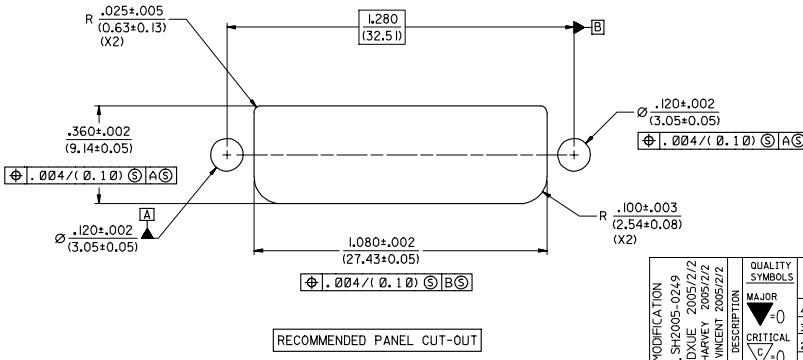
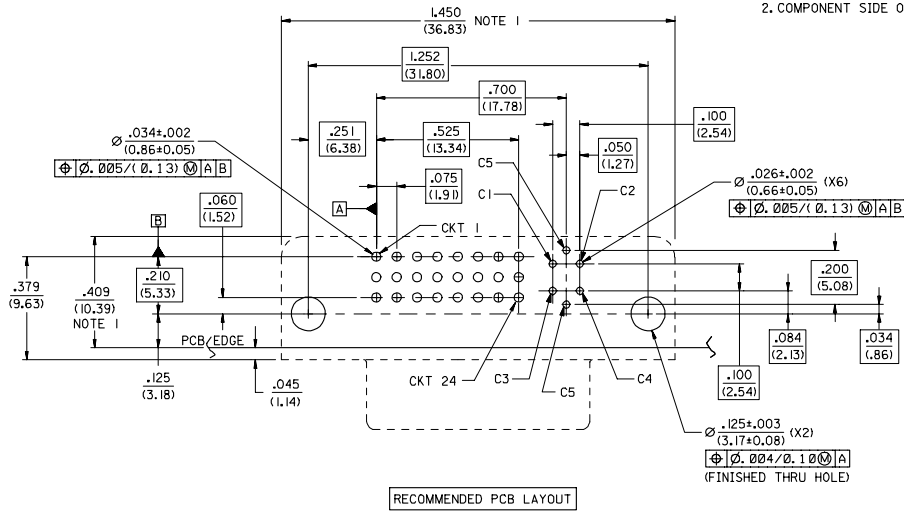
SEE SHEET 1 IEC NO: SH2012-0047 DRAWN BY: DRWNLX/SONG CHECKED BY: CHIKDX/SONG APPROVED BY: APFR/RZHANG DATE: 2011/08/19 DATE: 2011/08/19 DATE: 2011/08/22	QUALITY SYMBOLS	GENERAL TOLERANCES (UNLESS SPECIFIED)	DIMENSION STYLE	SCALE	DESIGN UNITS	THIRD ANGLE PROJECTION
	▽=0	mm INCH	IN/MM	1:1	INCH	
	▽=0	4 PLACES ±.005 ±.005	DRAWN BY: TONY DATE: 03/03/04			
	▽=0	3 PLACES ±.010 ±.010	CHECKED BY: WU YA JUN DATE: 03/03/18			
		2 PLACES ±0.25 ±.010	APPROVED BY: RZHANG DATE: 2011/08/22			
		1 PLACE ±0.25 ±.010	ANGULAR ±1/2°			
			MATERIAL NO.	DOCUMENT NO.		
			SEE SHEET 1	SD-74320-025		
			SIZE: A2			
			THIS DRAWING CONTAINS INFORMATION THAT IS PROPRIETARY TO MOLEX INCORPORATED AND SHOULD NOT BE USED WITHOUT WRITTEN PERMISSION			

Contact us: sales@integrated-circuit.com Website: www.integrated-circuit.com

74320

NOTES:

1. THESE DIMENSIONS REPRESENT CONNECTOR OVERLAY ON PCB.
2. COMPONENT SIDE OF PCB SHOWN.



NOTE:
 1. PANEL THICKNESS: .030" - .040"

PLATING OPTIONS:

PLATING OPTION #1:

- OUTER SHIELD -- 150 μ /(3.75 μ m) MIN. BRIGHT TIN OVER 50 μ /(1.27 μ m) MIN. NICKEL OVER COPPER FLASH
- .075"/(1.9mm) CONTACTS -- 30 μ /(0.75 μ m) MIN. SELECT GOLD AND 100 μ /(2.50 μ m) MIN. SELECT PURE TIN OVER 50 μ /(1.27 μ m) MIN. NICKEL OVERALL.

PLATING OPTION #2:

- OUTER SHIELD -- 150 μ /(3.75 μ m) MIN. BRIGHT TIN OVER 50 μ /(1.27 μ m) MIN. NICKEL OVER COPPER FLASH
- .075"/(1.9mm) CONTACTS -- SELECT GOLD FLASH AND 100 μ /(2.50 μ m) MIN. SELECT PURE TIN OVER 50 μ /(1.27 μ m) MIN. NICKEL OVERALL.

MODIFICATION EC NO. SH2005-0249 DRWN: DXLE 2005/2/2 CDR: HARVEY 2005/2/2 APPR: VINCENT 2005/2/2	QUALITY SYMBOLS MAJOR $\nabla=0$ CRITICAL $\nabla=0$ REV C	GENERAL TOLERANCES: (UNLESS SPECIFIED) 4 PLACES ± 0.005 3 PLACES ± 0.004 2 PLACES ± 0.003 1 PLACE ± 0.002 ANGULAR: ± 9	SCALE 4 : 1 DESIGN UNITS <input type="checkbox"/> mm <input checked="" type="checkbox"/> INCH	DRAWN BY & DATE TONY ZHANG 03/03/04 CHECKED BY & DATE WU YAJUN 03/03/04 APPROVED BY & DATE SAM HUIJING 03/03/04	DIMENSIONS: <input type="checkbox"/> INCH <input checked="" type="checkbox"/> mm <input type="checkbox"/> INCH ONLY <input type="checkbox"/> mm ONLY	THIRD ANGLE PROJECTION <input type="checkbox"/> FIRST ANGLE <input checked="" type="checkbox"/> THIRD ANGLE	SHT 2 REV 2	TITLE: DVI - I RIGHT ANGLE W/FORKLOCK RECEPTACLE CONNECTOR	MOLEX INCORPORATED MATERIAL NO. SEE SHEET 1 DRAWING NO. SD-74320-025 SHEET NO. 2