



Distributor of Molex Connector Corporation: Excellent Integrated System Limited
Datasheet of 0743209133 - Connector Receptacle DVI-I, Dual Link 29 Position Through Hole,
Right Angle, Horizontal

Contact us: sales@integrated-circuit.com Website: www.integrated-circuit.com

Excellent Integrated System Limited

Stocking Distributor

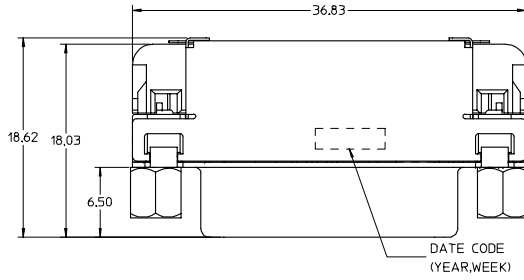
Click to view price, real time Inventory, Delivery & Lifecycle Information:

[Molex Connector Corporation](#)
[0743209133](#)

For any questions, you can email us directly:
sales@integrated-circuit.com

Contact us: sales@integrated-circuit.com Website: www.integrated-circuit.com

74320



NOTES:

1.MATERIALS:

- FRONT SHIELD -- DEEP DRAW STEEL.
- BACK SHIELD -- STAINLESS STEEL.
- HOUSING --GLASS FILLED POLYMER,WHITE/NATURE,UL 94V-0.
- TAIL ALIGNER -- GLASS FILLED POLYMER,WHITE/NATURE,UL 94V-0.
- CONTACT -- COPPER ALLOY.
- MICROCROSS GROUND -- COPPER ALLOY.

2.PLATING : SEE SHEET 2

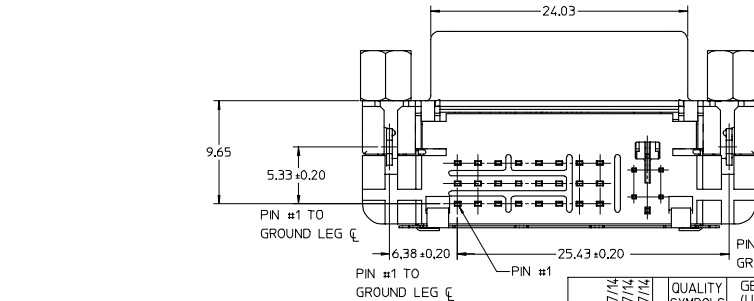
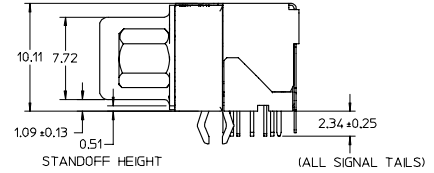
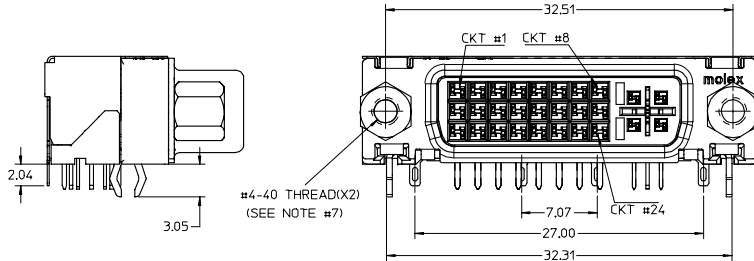
3.PRODUCT CONFORMS TO MOLEX PRODUCT SPECIFICATION NUMBER PS-74320-001

4.SEE SHEET 2 FOR RECOMMENDED PANEL CUT-OUT AND P.C.B.LAYOUT.

5.PARTS WILL BE PACKAGED IN TRAYS PER PK-74320-044.

6.PRODUCT CONFIRMS TO DDWG DVI SPECIFICATION,REFER TO THIS SPECIFICATION FOR CONNECTOR MATING DIMENSIONS.

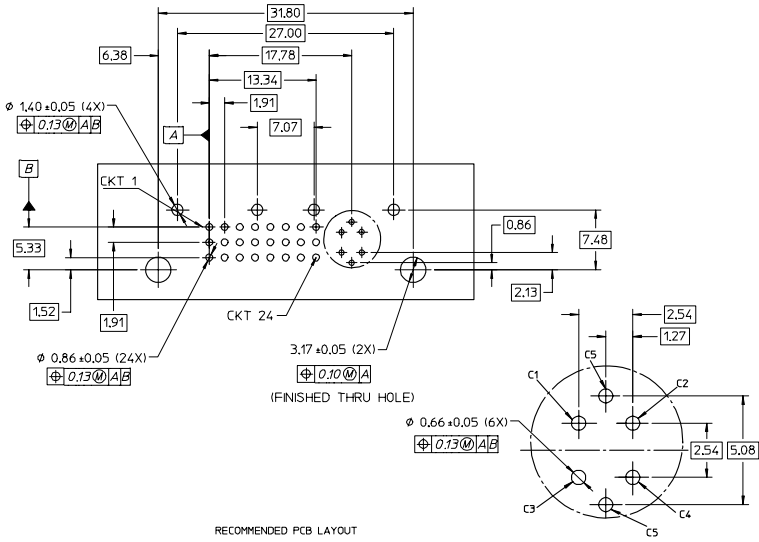
7.MOUNTING HARDWARE IS MOLEX P/N 88780-6066.REFER TO PRODUCT SPECIFICATION NUMBER PS-74320-001 FOR THE APPLICATION TORQUE REQUIREMENT FOR ASSEMBLING MOUNTING HARDWARE.



NEW RELEASE EC NO: SH2005-0004 DRAWN/DXUE 2004/07/14 CHKD: 2004/07/14 APPR: YTYAP 2004/07/14	DESCRIPTION REVISION A	QUALITY SYMBOLS ▽-0	GENERAL TOLERANCES (UNLESS SPECIFIED)		SCALE 4:1	DESIGN UNITS METRIC	THIRD ANGLE PROJECTION	REVISE ON CAD ONLY		
					DIMENSION STYLE MM ONLY		TITLE DVI-I RIGHT ANGLE RECEPTACLE CONNECTOR WITH SCREW AND SHIELDING			
					DRAWN BY DXUE		DATE 2004/7/9		MOLEX INCORPORATED	
					CHECKED BY		DATE		MATERIAL NO. 74320-9133	
DRAFT WHERE APPLICABLE MUST REMAIN WITHIN DIMENSIONS			APPROVED BY		DATE		DOCUMENT NO. SD-74320-046	SHEET NO. 1 OF 2		
THIS DRAWING CONTAINS INFORMATION THAT IS PROPRIETARY TO MOLEX INCORPORATED AND SHOULD NOT BE USED WITHOUT WRITTEN PERMISSION										

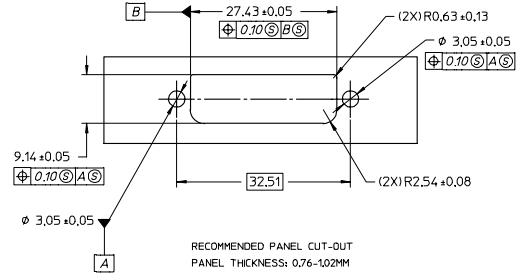
Contact us: sales@integrated-circuit.com Website: www.integrated-circuit.com

12 11 10 9 8 7 6 5 4 3 2 74320



RECOMMENDED PCB LAYOUT

Detail1
SCALE 8:1



RECOMMENDED PANEL CUT-OUT
PANEL THICKNESS: 0.76-1.02MM

PLATING OPTIONS:

PLATING OPTION #1:

FRONT SHIELD -- 150u"/3.25um MIN, BRIGHT TN OVER
50u"/1.27um MIN, NICKEL OVER COPPER FLASH,
BACK SHIELD -- 50u"/1.27um MIN, BRIGHT TN OVER
50u"/1.27um MIN, NICKEL OVER COPPER FLASH,

.075"/1.91mm CONTACTS -- 30u"/0.75um MIN, SELECT GOLD AND
100u"/2.50um MIN, SELECT TN
OVER 50u"/1.27um MIN, NICKEL OVERALL,

.100"/2.54mm CONTACTS -- 30u"/0.75um MIN, SELECT GOLD AND
100u"/2.50um MIN, SELECT TN,
OVER 50u"/1.27um MIN, NICKEL OVERALL,

MICROCROSS GROUND -- 30u"/0.75um MIN, SELECT GOLD AND
100u"/2.50um MIN, SELECT TN,
OVER 50u"/1.27um MIN, NICKEL OVERALL,

NEW RELEASE EC NO: SH2005-0004 DRAWN/DXUE 2004/07/14 CHKD: 2004/07/14 APPR: YTYAP 2004/07/14 A	DESCRIPTION	QUALITY SYMBOLS	GENERAL TOLERANCES (UNLESS SPECIFIED)		SCALE 4:1	DESIGN UNITS METRIC	THIRD ANGLE PROJECTION	REVISE ON CAD ONLY																																					
		<p>▽-0</p> <p>▽-0</p>	<table border="1"> <tr><th></th><th>mm</th><th>INCH</th></tr> <tr><td>4 PLACES</td><td>±---</td><td>±---</td></tr> <tr><td>3 PLACES</td><td>±---</td><td>±---</td></tr> <tr><td>2 PLACES</td><td>±0.25</td><td>±---</td></tr> <tr><td>1 PLACE</td><td>±0.25</td><td>±---</td></tr> </table>		mm	INCH	4 PLACES	±---	±---	3 PLACES	±---	±---	2 PLACES	±0.25	±---	1 PLACE	±0.25	±---	<table border="1"> <tr><th colspan="2">DIMENSION STYLE</th></tr> <tr><td colspan="2">MM ONLY</td></tr> </table>	DIMENSION STYLE		MM ONLY		<table border="1"> <tr><th colspan="2">DRAWN BY</th></tr> <tr><td>DXUE</td><td>2004/7/9</td></tr> <tr><th colspan="2">CHECKED BY</th></tr> <tr><td></td><td></td></tr> <tr><th colspan="2">APPROVED BY</th></tr> <tr><td></td><td></td></tr> </table>	DRAWN BY		DXUE	2004/7/9	CHECKED BY				APPROVED BY				<table border="1"> <tr><th colspan="2">TITLE</th></tr> <tr><td colspan="2">DVI-I RIGHT ANGLE RECEPTACLE CONNECTOR WITH SCREW AND SHIELDING</td></tr> <tr><td colspan="2">MOLEX INCORPORATED</td></tr> <tr><td>MATERIAL NO. 74320-9133</td><td>DOCUMENT NO. SD-74320-046</td></tr> <tr><td>SHEET NO. 2 OF 2</td><td></td></tr> </table>	TITLE		DVI-I RIGHT ANGLE RECEPTACLE CONNECTOR WITH SCREW AND SHIELDING		MOLEX INCORPORATED		MATERIAL NO. 74320-9133	DOCUMENT NO. SD-74320-046
	mm	INCH																																											
4 PLACES	±---	±---																																											
3 PLACES	±---	±---																																											
2 PLACES	±0.25	±---																																											
1 PLACE	±0.25	±---																																											
DIMENSION STYLE																																													
MM ONLY																																													
DRAWN BY																																													
DXUE	2004/7/9																																												
CHECKED BY																																													
APPROVED BY																																													
TITLE																																													
DVI-I RIGHT ANGLE RECEPTACLE CONNECTOR WITH SCREW AND SHIELDING																																													
MOLEX INCORPORATED																																													
MATERIAL NO. 74320-9133	DOCUMENT NO. SD-74320-046																																												
SHEET NO. 2 OF 2																																													
DRAFT WHERE APPLICABLE MUST REMAIN WITHIN DIMENSIONS		THIS DRAWING CONTAINS INFORMATION THAT IS PROPRIETARY TO MOLEX INCORPORATED AND SHOULD NOT BE USED WITHOUT WRITTEN PERMISSION																																											

11 10 9 8 7 6 5 4 3 2 1