

Excellent Integrated System Limited

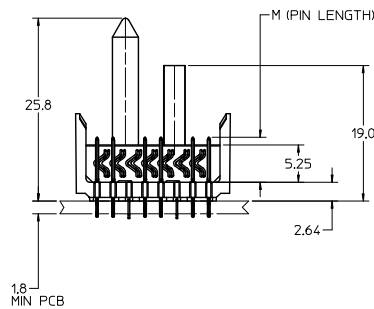
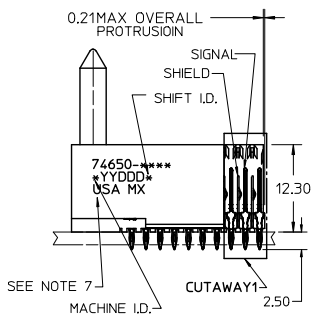
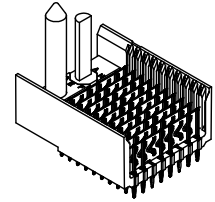
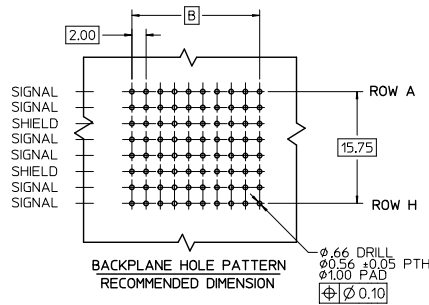
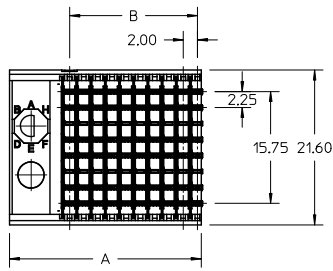
Stocking Distributor

Click to view price, real time Inventory, Delivery & Lifecycle Information:

[Molex Connector Corporation](#)
[0746501002](#)

For any questions, you can email us directly:

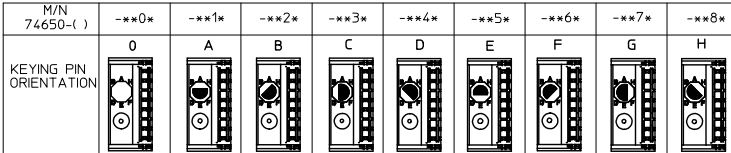
sales@integrated-circuit.com



- NOTES:
- MATERIAL: HOUSING -LIQUID CRYSTAL POLYMER (LCP) GLASS-FILLED. UL 94-0. COLOR BLACK. SIGNAL & SHIELD -HIGH PERFORMANCE COPPER ALLOY.
 - FINISHES:
CONTACT AREA: SELECTIVE GOLD (Au)
PCB TAILS: SELECTIVE MATTE TIN (Sn)
NICKEL (Ni) OVERALL.
 - THIS PART CONFORMS TO MOLEX PRODUCT SPECIFICATION PS-74031-999.
 - FOR MIXED CONTACT MATING LENGTHS CONSULT MOLEX FOR AVAILABILITY.
 - FOR SPECIFIC PART NUMBER AND MATING INFORMATION REFER TO SHEET 2.
 - PACKAGE PER PK-74061-003.
 - MARK PART NUMBER AND DATE CODE APPROXIMATELY WHERE SHOWN
 - MAPS (MOLEX ADVANCED PLATING SYSTEM).

THE PRIMARY CARTON WITH A LABEL STATING "ELV AND RoHS COMPLIANT" IS LEAD FREE. CARTONS WITHOUT THIS LABEL MAY CONTAIN LEAD.

LEAD FREE CONVERSION EC NO: UCP/2015-0687 DRAWING NO: 2012/08/24 CHK: KIMOLFE APPR: SMILLER 2012/11/26 2012/12/14	QUALITY SYMBOLS ∇=0 ∇=0 ∇=0	GENERAL TOLERANCES (UNLESS SPECIFIED)		DIMENSION STYLE MM ONLY		SCALE 2.5:1	DESIGN UNITS METRIC	THIRD ANGLE PROJECTION	
		4 PLACES ± --- ± ---	3 PLACES ± --- ± ---	DRAWN BY MOWANG	DATE 2001/03/22	TITLE HSD SALES ASSEMBLY 8 ROW SIGNAL END BACKPLANE			
		2 PLACES ± --- ± ---	1 PLACE ± --- ± ---	CHECKED BY JLAURX	DATE 2001/03/27	molex			
		0 PLACE ± --- ± ---	ANGULAR ±1/2°	APPROVED BY CBIXLER	DATE 2001/03/27				
DRAFT WHERE APPLICABLE MUST REMAIN WITHIN DIMENSIONS		THIS DRAWING CONTAINS INFORMATION THAT IS PROPRIETARY TO MOLEX INCORPORATED AND SHOULD NOT BE USED WITHOUT WRITTEN PERMISSION							

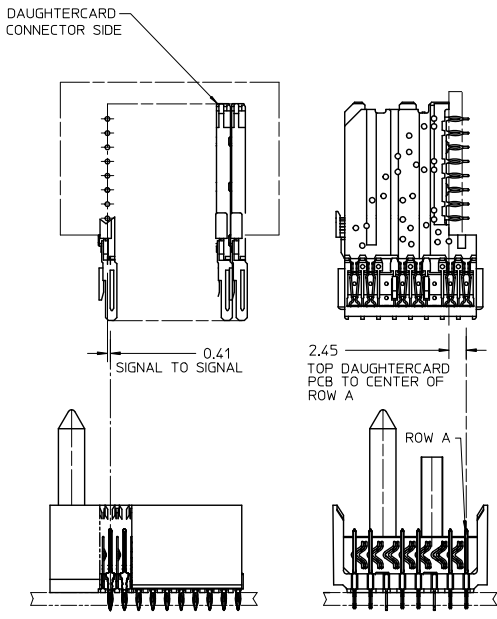


74650-***x

CONTACT LOAD (PIN LENGTH)
 1 & 6 = 4.75
 2 & 7 = 6.25
 3 & 8 = 4.25
 4 & 9 = 5.15

NUMBER OF COLUMNS/
 PLATING
 10=10 COLUMN MATTE TIN (FORMERLY TIN/LEAD)
 25=25 COLUMN MATTE TIN (FORMERLY TIN/LEAD)
 60=10 COLUMN MATTE TIN (MAPS)
 75=25 COLUMN MATTE TIN (MAPS)
 90=10 COLUMN MATTE TIN
 85=25 COLUMN MATTE TIN

PART NUMBER	COLUMN	NUMBER OF SIGNAL PIN	NUMBER OF SHIELD	A	B	M	GOLD THICKNESS MICROMETER	TIN THICKNESS MICROMETER
74650-60x1	10	60	10	27.00	18.00	4.75	0.25 MAPS	0.76-1.52
74650-x0x1							0.76	
74650-x0x6							1.27	
74650-75x1	25	150	25	57.00	48.00	6.25	0.25 MAPS	
74650-x5x1							0.76	
74650-x5x6							1.27	
74650-60x2	10	60	10	27.00	18.00	4.25	0.25 MAPS	
74650-x0x2							0.76	
74650-x0x7							1.27	
74650-75x2	25	150	25	57.00	48.00	5.15	0.25 MAPS	
74650-x5x2							0.76	
74650-x5x7							1.27	
74650-60x3	10	60	10	27.00	18.00	4.75	0.25 MAPS	
74650-x0x3							0.76	
74650-x0x8							1.27	
74650-75x3	25	150	25	57.00	48.00	6.25	0.25 MAPS	
74650-x5x3							0.76	
74650-x5x8							1.27	
74650-60x4	10	60	10	27.00	18.00	4.25	0.25 MAPS	
74650-x0x4							0.76	
74650-x0x9							1.27	
74650-75x4	25	150	25	57.00	48.00	5.15	0.25 MAPS	
74650-x5x4							0.76	
74650-x5x9							1.27	



SEE SHEET 1 EC NO: UCP2013-0687 DRAWINGS: 2012/08/24 CHK: KMOLFE 2012/11/28 APPR: SMILLER 2012/12/14	QUALITY SYMBOLS 	GENERAL TOLERANCES (UNLESS SPECIFIED) mm INCH 4 PLACES ± --- ± --- 3 PLACES ± --- ± --- 2 PLACES ± --- ± --- 1 PLACE ± --- ± --- 0 PLACE ± --- ± ---	DIMENSION STYLE MM ONLY	SCALE 2.5:1	DESIGN UNITS METRIC	THIRD ANGLE PROJECTION		
		DRAWN BY: MOWANG CHECKED BY: JLAURX APPROVED BY: CBIXLER	DATE: 2001/03/22 DATE: 2001/03/27 DATE: 2001/03/27	TITLE HSD SALES ASSEMBLY 8 ROW SIGNAL END BACKPLANE		MATERIAL NO. SEE TABLE	DOCUMENT NO. SD-74650-002	SHEET NO. 2 OF 2
		ANGULAR ±1/2° DRAFT WHERE APPLICABLE MUST REMAIN WITHIN DIMENSIONS	SIZE C	THIS DRAWING CONTAINS INFORMATION THAT IS PROPRIETARY TO MOLEX INCORPORATED AND SHOULD NOT BE USED WITHOUT WRITTEN PERMISSION				