

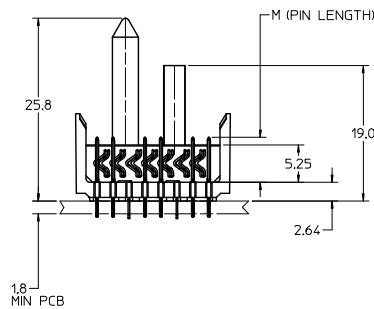
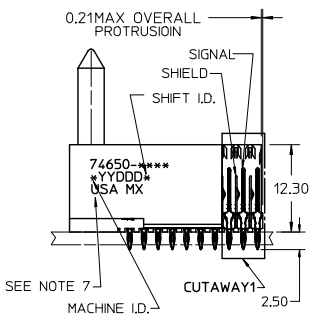
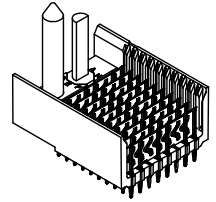
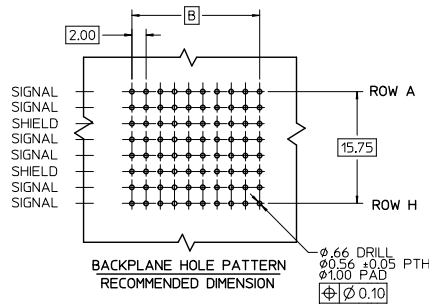
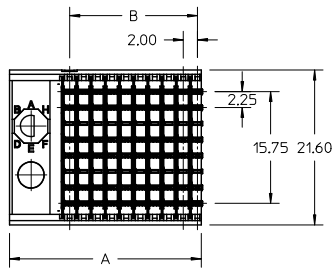
## Excellent Integrated System Limited

Stocking Distributor

Click to view price, real time Inventory, Delivery & Lifecycle Information:

[Molex Connector Corporation](#)  
[0746501052](#)

For any questions, you can email us directly:  
[sales@integrated-circuit.com](mailto:sales@integrated-circuit.com)



- NOTES:
- MATERIAL: HOUSING -LIQUID CRYSTAL POLYMER (LCP) GLASS-FILLED. UL 94-0. COLOR BLACK. SIGNAL & SHIELD -HIGH PERFORMANCE COPPER ALLOY.
  - FINISHES:  
CONTACT AREA: SELECTIVE GOLD (Au)  
PCB TAILS: SELECTIVE MATTE TIN (Sn)  
NICKEL (Ni) OVERALL.
  - THIS PART CONFORMS TO MOLEX PRODUCT SPECIFICATION PS-74031-999.
  - FOR MIXED CONTACT MATING LENGTHS CONSULT MOLEX FOR AVAILABILITY.
  - FOR SPECIFIC PART NUMBER AND MATING INFORMATION REFER TO SHEET 2.
  - PACKAGE PER PK-74061-003.
  - MARK PART NUMBER AND DATE CODE APPROXIMATELY WHERE SHOWN
  - MAPS (MOLEX ADVANCED PLATING SYSTEM).

THE PRIMARY CARTON WITH A LABEL STATING "ELV AND RoHS COMPLIANT" IS LEAD FREE. CARTONS WITHOUT THIS LABEL MAY CONTAIN LEAD.

LEAD FREE CONVERSION EC NO: UCP/2015-0687 DRAWING NO: 2012/08/24 CHK: KIMOLFE APPR: SMILLER 2012/11/26 2012/12/14	QUALITY SYMBOLS ∇=0 ∇=0 ∇=0	GENERAL TOLERANCES (UNLESS SPECIFIED)		DIMENSION STYLE		SCALE	DESIGN UNITS	THIRD ANGLE PROJECTION		
				MM ONLY		2.5:1	METRIC			
		4 PLACES ±	±	mm	INCH	DRAWN BY	DATE	TITLE HSD SALES ASSEMBLY 8 ROW SIGNAL END BACKPLANE <b>molex</b> DOCUMENT NO. SD-74650-002 SHEET NO. 1 OF 2		
		3 PLACES ±	±			MOHWANG	2001/03/22			
2 PLACES ±	±			CHECKED BY	DATE					
1 PLACE ±	±			JLAURX	2001/03/27					
0 PLACE ±	±			APPROVED BY	DATE					
				ANGULAR ±1/2°						
		DRAFT WHERE APPLICABLE MUST REMAIN WITHIN DIMENSIONS		SEE SHEET 2						
				MATERIAL NO.						
				SIZE						
				THIS DRAWING CONTAINS INFORMATION THAT IS PROPRIETARY TO MOLEX INCORPORATED AND SHOULD NOT BE USED WITHOUT WRITTEN PERMISSION						

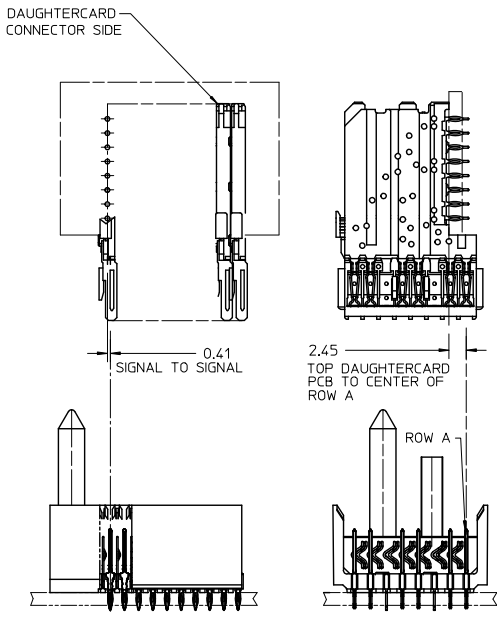
M/N 74650-( )	-**0*	-**1*	-**2*	-**3*	-**4*	-**5*	-**6*	-**7*	-**8*
KEYING PIN ORIENTATION									

74650-\*\*\*

CONTACT LOAD (PIN LENGTH)  
 1 & 6 = 4.75  
 2 & 7 = 6.25  
 3 & 8 = 4.25  
 4 & 9 = 5.15

NUMBER OF COLUMNS/  
 PLATING  
 10=10 COLUMN MATTE TIN (FORMERLY TIN/LEAD)  
 25=25 COLUMN MATTE TIN (FORMERLY TIN/LEAD)  
 60=10 COLUMN MATTE TIN (MAPS)  
 75=25 COLUMN MATTE TIN (MAPS)  
 90=10 COLUMN MATTE TIN  
 85=25 COLUMN MATTE TIN

PART NUMBER	COLUMN	NUMBER OF SIGNAL PIN	NUMBER OF SHIELD	A	B	M	GOLD THICKNESS MICROMETER	TIN THICKNESS MICROMETER
74650-60*1	10	60	10	27.00	18.00	4.75	0.25 MAPS	0.76-1.52
74650-*0*1							0.76	
74650-*0*6							1.27	
74650-75*1	25	150	25	57.00	48.00	4.75	0.25 MAPS	
74650-*5*1							0.76	
74650-*5*6							1.27	
74650-60*2	10	60	10	27.00	18.00	6.25	0.25 MAPS	
74650-*0*2							0.76	
74650-*0*7							1.27	
74650-75*2	25	150	25	57.00	48.00	6.25	0.25 MAPS	
74650-*5*2							0.76	
74650-*5*7							1.27	
74650-60*3	10	60	10	27.00	18.00	4.25	0.25 MAPS	
74650-*0*3							0.76	
74650-*0*8							1.27	
74650-75*3	25	150	25	57.00	48.00	4.25	0.25 MAPS	
74650-*5*3							0.76	
74650-*5*8							1.27	
74650-60*4	10	60	10	27.00	18.00	5.15	0.25 MAPS	
74650-*0*4							0.76	
74650-*0*9							1.27	
74650-75*4	25	150	25	57.00	48.00	5.15	0.25 MAPS	
74650-*5*4							0.76	
74650-*5*9							1.27	



SEE SHEET 1 EC NO: UCP2013-0687 DRAWINGS: 2012/08/24 CHK: KMOLFE 2012/11/28 APPR: SMILLER 2012/12/14	QUALITY SYMBOLS □=0 ▽=0 ○=0	GENERAL TOLERANCES (UNLESS SPECIFIED) mm INCH 4 PLACES ± --- ± --- 3 PLACES ± --- ± --- 2 PLACES ± --- ± --- 1 PLACE ± --- ± --- 0 PLACE ± --- ± ---	DIMENSION STYLE MM ONLY	SCALE 2.5:1	DESIGN UNITS METRIC	THIRD ANGLE PROJECTION	
		DRAWN BY: MOWANG CHECKED BY: JLAURX APPROVED BY: CBIXLER	DATE: 2001/03/22 DATE: 2001/03/27 DATE: 2001/03/27	MATERIAL NO. SEE TABLE	DOCUMENT NO. SD-74650-002	SHEET NO. 2 OF 2	
		HSD SALES ASSEMBLY 8 ROW SIGNAL END BACKPLANE 					
		THIS DRAWING CONTAINS INFORMATION THAT IS PROPRIETARY TO MOLEX INCORPORATED AND SHOULD NOT BE USED WITHOUT WRITTEN PERMISSION					