

Excellent Integrated System Limited

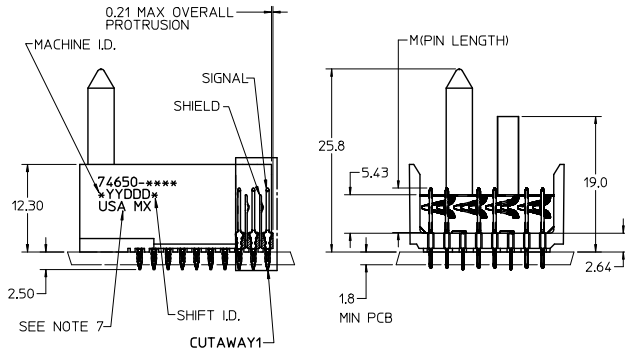
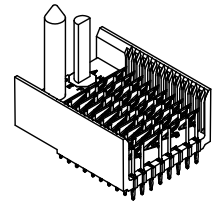
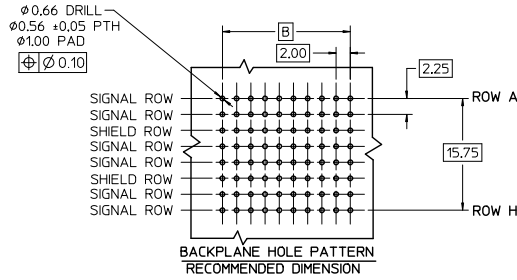
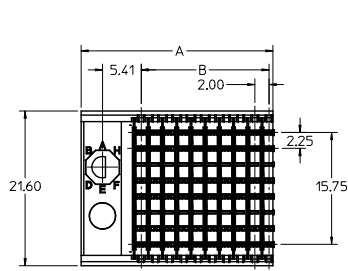
Stocking Distributor

Click to view price, real time Inventory, Delivery & Lifecycle Information:

[Molex Connector Corporation](#)
[0746501102](#)

For any questions, you can email us directly:

sales@integrated-circuit.com

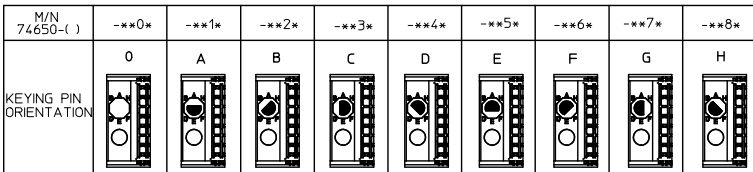


NOTES:

1. MATERIAL: HOUSING -LIQUID CRYSTAL POLYMER (LCP) GLASS-FILLED. UL 94-0. COLOR BLACK. SIGNAL & SHIELD -HIGH PERFORMANCE COPPER ALLOY.
2. FINISHES:
CONTACT AREA: SELECTIVE GOLD (Au)
PCB TAILS: SELECTIVE MATTE TIN (Sn)
NICKEL (Ni) OVERALL.
3. THIS PART CONFORMS TO MOLEX PRODUCT SPECIFICATION PS-74031-999.
4. FOR MIXED CONTACT MATING LENGTHS CONSULT MOLEX FOR AVAILABILITY.
5. FOR SPECIFIC PART NUMBER AND MATING INFORMATION REFER TO SHEET 2.
6. PACKAGE PER PK-74061-003.
7. MARK PART NUMBER AND DATE CODE APPROXIMATELY WHERE SHOWN
8. MAPS (MOLEX ADVANCED PLATING SYSTEM).

THE PRIMARY CARTON WITH A LABEL STATING "ELV AND RoHS COMPLIANT" IS LEAD FREE. CARTONS WITHOUT THIS LABEL MAY CONTAIN LEAD.

LEAD FREE CONVERSION EC NO: UCP2015-0687 2012/08/24 CHK:RMOLEF APPR:SMILLER 2012/11/26 2012/12/14	QUALITY SYMBOLS ∇=0 ∇=0 ∇=0	GENERAL TOLERANCES (UNLESS SPECIFIED)		DIMENSION STYLE MM ONLY		SCALE 2.5:1	DESIGN UNITS METRIC	THIRD ANGLE PROJECTION	
		4 PLACES ± --- ± ---	3 PLACES ± --- ± ---	2 PLACES ± --- ± ---	1 PLACE ± --- ± ---	0 PLACE ± --- ± ---	DRAWN BY MOWANG	DATE 2001/05/21	TITLE HSD SALES ASSEMBLY 8 ROW ADVANCED MATE SIGNAL END BACKPLANE molex
		ANGULAR ±1/2°					CHECKED BY JLAURX	DATE 2001/05/25	
		DRAFT WHERE APPLICABLE MUST REMAIN WITHIN DIMENSIONS					APPROVED BY CBIXLER	DATE 2001/05/25	
MATERIAL NO. SEE SHEET 2					DOCUMENT NO. SD-74650-003		SHEET NO. 1 OF 2		

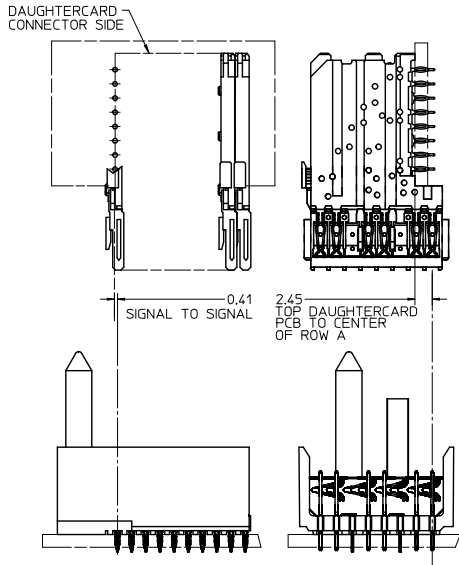


74650-***

NUMBER OF COLUMNS/
PLATING
11=10 COLUMN MATTE TIN (FORMERLY TIN/LEAD)
26=25 COLUMN MATTE TIN (FORMERLY TIN/LEAD)
61=10 COLUMN MATTE TIN (MAPS)
76=25 COLUMN MATTE TIN (MAPS)
91=10 COLUMN MATTE TIN
86=25 COLUMN MATTE TIN

CONTACT LOAD
(PIN LENGTH)
1 & 6 = 4.75
2 & 7 = 6.25
3 & 8 = 4.25
4 & 9 = 5.15

PART NUMBER	COLUMN	NUMBER OF SIGNAL PIN	NUMBER OF SHIELD	A	B	M	GOLD THICKNESS MICROMETER	TIN THICKNESS MICROMETER
74650-61*1	10	60	10	27.00	18.00	4.75	0.25 MAPS	0.76-1.52
74650-1*1							0.76	
74650-1*6							1.27	
74650-76*1	25	150	25	57.00	48.00	6.25	0.25 MAPS	
74650-1*1							0.76	
74650-1*2							1.27	
74650-1*7	10	60	10	27.00	18.00	4.25	0.25 MAPS	
74650-1*7							0.76	
74650-76*2							1.27	
74650-1*8	25	150	25	57.00	48.00	5.15	0.25 MAPS	
74650-1*8							0.76	
74650-76*3							1.27	
74650-1*3	10	60	10	27.00	18.00	4.25	0.25 MAPS	
74650-1*3							0.76	
74650-1*8							1.27	
74650-1*4	10	60	10	27.00	18.00	5.15	0.25 MAPS	
74650-1*4							0.76	
74650-1*9							1.27	
74650-1*9	25	150	25	57.00	48.00	5.15	0.25 MAPS	
74650-1*9							0.76	
74650-1*9							1.27	



SEE SHEET 1 EC NO: UCP2013-0687 DRAWN BY: 2012/08/24 CHKD BY: 2012/11/26 APPROX: MILLER 2012/12/14	QUALITY SYMBOLS ▽=0 ▽=0 ▽=0	GENERAL TOLERANCES (UNLESS SPECIFIED)	DIMENSION STYLE	SCALE	DESIGN UNITS	THIRD ANGLE PROJECTION
		mm INCH	MM ONLY	2.5:1	METRIC	
		4 PLACES ± --- ± ---	DRAWN BY: MQWANG DATE: 2001/05/21	TITLE: HSD SALES ASSEMBLY		
		3 PLACES ± --- ± ---	CHECKED BY: JLAURX DATE: 2001/05/25	8 ROW ADVANCED MATE		
2 PLACES ± --- ± ---	APPROVED BY: CBIXLER DATE: 2001/05/25	SIGNAL END BACKPLANE				
1 PLACE ± --- ± ---	ANGULAR ±1/2°					
0 PLACE ± --- ± ---	DRAFT WHERE APPLICABLE MUST REMAIN WITHIN DIMENSIONS	SEE TABLE				
		MATERIAL NO.	DOCUMENT NO.	SHEET NO.		
			SD-74650-003	2 OF 2		