

Excellent Integrated System Limited

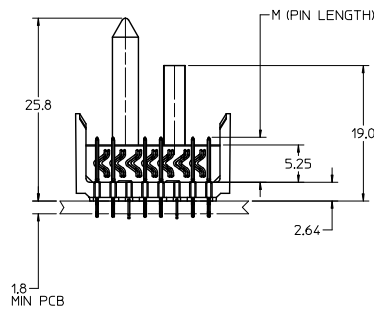
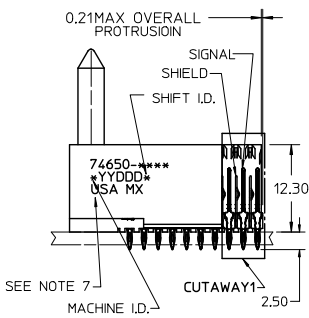
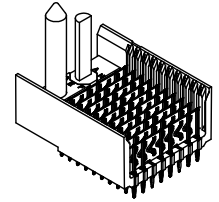
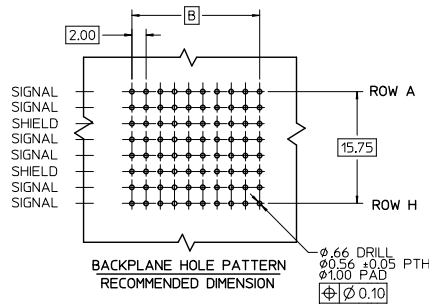
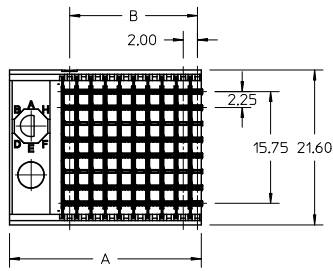
Stocking Distributor

Click to view price, real time Inventory, Delivery & Lifecycle Information:

[Molex Connector Corporation](#)
[0746502514](#)

For any questions, you can email us directly:

sales@integrated-circuit.com



- NOTES:
1. MATERIAL: HOUSING -LIQUID CRYSTAL POLYMER (LCP) GLASS-FILLED. UL 94-0. COLOR BLACK. SIGNAL & SHIELD -HIGH PERFORMANCE COPPER ALLOY.
 2. FINISHES:
CONTACT AREA: SELECTIVE GOLD (Au)
PCB TAILS: SELECTIVE MATTE TIN (Sn)
NICKEL (Ni) OVERALL.
 3. THIS PART CONFORMS TO MOLEX PRODUCT SPECIFICATION PS-74031-999.
 4. FOR MIXED CONTACT MATING LENGTHS CONSULT MOLEX FOR AVAILABILITY.
 5. FOR SPECIFIC PART NUMBER AND MATING INFORMATION REFER TO SHEET 2.
 6. PACKAGE PER PK-74061-003.
 7. MARK PART NUMBER AND DATE CODE APPROXIMATELY WHERE SHOWN
 8. MAPS (MOLEX ADVANCED PLATING SYSTEM).

THE PRIMARY CARTON WITH A LABEL STATING "ELV AND RoHS COMPLIANT" IS LEAD FREE. CARTONS WITHOUT THIS LABEL MAY CONTAIN LEAD.

LEAD FREE CONVERSION EC NO: UCP2015-0687 DRAWING NO: 2012/08/24 CHK: KIMOLFE APPR: SMILLER 2012/11/26 2012/12/14	QUALITY SYMBOLS ∇=0 ∇=0 ∇=0	GENERAL TOLERANCES (UNLESS SPECIFIED)		DIMENSION STYLE		SCALE	DESIGN UNITS	THIRD ANGLE PROJECTION		
				MM ONLY		2.5:1	METRIC			
		4 PLACES ±	±	±	±	DRAWN BY	DATE	TITLE HSD SALES ASSEMBLY 8 ROW SIGNAL END BACKPLANE molex DOCUMENT NO. SD-74650-002 SHEET NO. 1 OF 2		
		3 PLACES ±	±	±	±	CHECKED BY	DATE			
2 PLACES ±	±	±	±	APPROVED BY	DATE					
1 PLACE ±	±	±	±	CBI XLER	2001/03/27					
0 PLACE ±	±	±	±	ANGULAR ±1/2°		MATERIAL NO.		SEE SHEET 2		
DRAFT WHERE APPLICABLE MUST REMAIN WITHIN DIMENSIONS				SIZE C		THIS DRAWING CONTAINS INFORMATION THAT IS PROPRIETARY TO MOLEX INCORPORATED AND SHOULD NOT BE USED WITHOUT WRITTEN PERMISSION				

M/N 74650-()	-**0*	-**1*	-**2*	-**3*	-**4*	-**5*	-**6*	-**7*	-**8*
KEYING PIN ORIENTATION									

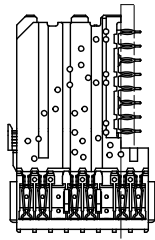
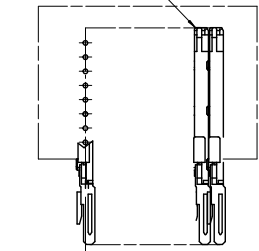
74650-***

CONTACT LOAD (PIN LENGTH)
 1 & 6 = 4.75
 2 & 7 = 6.25
 3 & 8 = 4.25
 4 & 9 = 5.15

NUMBER OF COLUMNS/
 PLATING
 10=10 COLUMN MATTE TIN (FORMERLY TIN/LEAD)
 25=25 COLUMN MATTE TIN (FORMERLY TIN/LEAD)
 60=10 COLUMN MATTE TIN (MAPS)
 75=25 COLUMN MATTE TIN (MAPS)
 90=10 COLUMN MATTE TIN
 85=25 COLUMN MATTE TIN

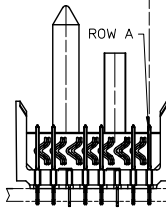
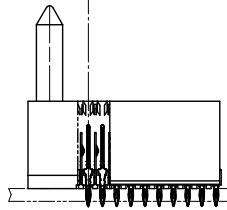
PART NUMBER	COLUMN	NUMBER OF SIGNAL PIN	NUMBER OF SHIELD	A	B	M	GOLD THICKNESS MICROMETER	TIN THICKNESS MICROMETER
74650-60*1	10	60	10	27.00	18.00	4.75	0.25 MAPS	0.76-1.52
74650-*0*1							0.76	
74650-*0*6							1.27	
74650-75*1	25	150	25	57.00	48.00	4.75	0.25 MAPS	
74650-*5*1							0.76	
74650-*5*6							1.27	
74650-60*2	10	60	10	27.00	18.00	6.25	0.25 MAPS	
74650-*0*2							0.76	
74650-*0*7							1.27	
74650-75*2	25	150	25	57.00	48.00	6.25	0.25 MAPS	
74650-*5*2							0.76	
74650-*5*7							1.27	
74650-60*3	10	60	10	27.00	18.00	4.25	0.25 MAPS	
74650-*0*3							0.76	
74650-*0*8							1.27	
74650-75*3	25	150	25	57.00	48.00	4.25	0.25 MAPS	
74650-*5*3							0.76	
74650-*5*8							1.27	
74650-60*4	10	60	10	27.00	18.00	5.15	0.25 MAPS	
74650-*0*4							0.76	
74650-*0*9							1.27	
74650-75*4	25	150	25	57.00	48.00	5.15	0.25 MAPS	
74650-*5*4							0.76	
74650-*5*9							1.27	

DAUGHTERCARD CONNECTOR SIDE



0.41 SIGNAL TO SIGNAL

2.45 TOP DAUGHTERCARD PCB TO CENTER OF ROW A



SEE SHEET 1 EC NO: UCP2013-0687 DRAWINGS: 2012/08/24 CHK: KMOLFE 2012/11/28 APPR: SMILLER 2012/12/14 REV: DESCRIPTION	QUALITY SYMBOLS	GENERAL TOLERANCES (UNLESS SPECIFIED)	DIMENSION STYLE	SCALE	DESIGN UNITS	THIRD ANGLE PROJECTION
	 	mm INCH 4 PLACES ± --- ± --- 3 PLACES ± --- ± --- 2 PLACES ± --- ± --- 1 PLACE ± --- ± --- 0 PLACE ± --- ± ---	MM ONLY	2.5:1	METRIC	
	ANGULAR ±1/2° DRAFT WHERE APPLICABLE MUST REMAIN WITHIN DIMENSIONS	DRAWN BY: MOWANG DATE: 2001/03/22 CHECKED BY: JLAURX DATE: 2001/03/27 APPROVED BY: CBIXLER DATE: 2001/03/27	MATERIAL NO. SEE TABLE	DOCUMENT NO. SD-74650-002	TITLE HSD SALES ASSEMBLY 8 ROW SIGNAL END BACKPLANE 	SHEET NO. 2 OF 2
	THIS DRAWING CONTAINS INFORMATION THAT IS PROPRIETARY TO MOLEX INCORPORATED AND SHOULD NOT BE USED WITHOUT WRITTEN PERMISSION					