

## Excellent Integrated System Limited

Stocking Distributor

Click to view price, real time Inventory, Delivery & Lifecycle Information:

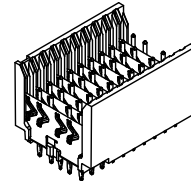
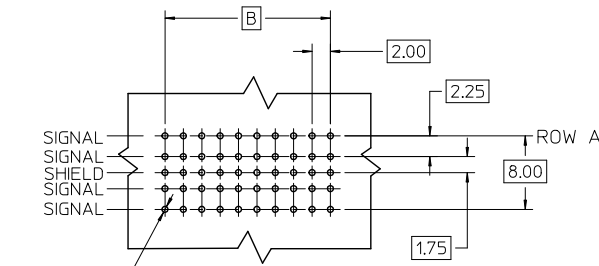
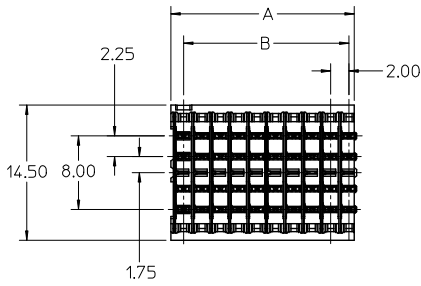
[Molex Connector Corporation](#)

[0746951006](#)

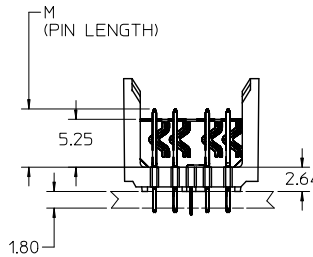
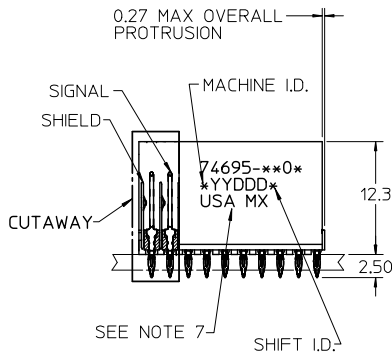
For any questions, you can email us directly:

[sales@integrated-circuit.com](mailto:sales@integrated-circuit.com)

10 9 8 7 6 5 4 3 2 74695



$\phi 0.66$  DRILL  
 $\phi 0.56 \pm 0.05$  PTH  
 $\phi 1.00$  PAD  
 $\phi 0.10$   
**BACKPLANE HOLE PATTERN**  
**RECOMMENDED DIMENSION**



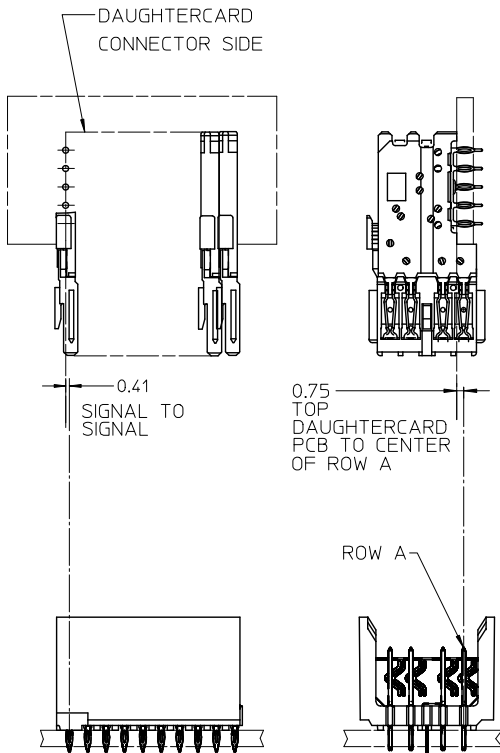
**NOTES:**

1. MATERIAL: HOUSING -LIQUID CRYSTAL POLYMER (LCP), GLASS-FILLED, UL 94 V-0. COLOR BLACK. SIGNAL & SHIELD -COPPER ALLOY.
2. FINISHES: SELECTIVE GOLD (Au) ON CONTACT AREA. SELECTIVE TIN/LEAD (Sn/Pb) OR SELECTIVE MATTE TIN (Sn) ON PCB TAILS. NICKEL (Ni) OVERALL.
3. THIS PART CONFORMS TO MOLEX PRODUCT SPECIFICATION PS-74031-999.
4. FOR MIXED CONTACT MATING LENGTHS CONSULT MOLEX FOR AVAILABILITY.
5. FOR SPECIFIC PART NUMBER AND MATING INFORMATION REFER TO SHEET 2.
6. PACKAGE PER PK-74695-003.
7. EITHER MARK PART NUMBER AND DATE CODE APPROXIMATELY WHERE SHOWN OR PLACE LABEL ON THE TUBE.

REVISED: ADD LEAD-FREE EC NO: LCP2006-1727 DRAWN: THOMAS 2006/02/16 CHKD: BINGHAY 2006/02/16 APPR: KNILVEY 2006/02/16	QUALITY SYMBOLS ▼ - 0 ▽ - 0	GENERAL TOLERANCES (UNLESS SPECIFIED)		SCALE 2.5:1	DESIGN UNITS METRIC	THIRD ANGLE PROJECTION REVISE ON CAD ONLY
				DIMENSION STYLE MM ONLY		
				DRAWN BY MQWANG	DATE 2001/04/11	
				CHECKED BY NMARTIN	DATE 2001/04/14	
		ANGULAR $\pm 1/2^\circ$		APPROVED BY CBIXLER	DATE 2001/04/14	MOLEX INCORPORATED SEE SHT.2&3   SD-74695-002
		DRAFT WHERE APPLICABLE MUST REMAIN WITHIN DIMENSIONS		THIS DRAWING CONTAINS INFORMATION THAT IS PROPRIETARY TO MOLEX INCORPORATED AND SHOULD NOT BE USED WITHOUT WRITTEN PERMISSION		SHEET NO. 1 OF 3

tb\_frame\_B rev. B1 2000/08/01 8 7 6 5 4 3 2 1

10 | 9 | 8 | 7 | 6 | 5 | 4 | 3 | 2 | 74695



**MATERIAL NUMBER ASSIGNMENT**

74695-\*\*\* \*\* SEE TABLES (SHEET 3)

- NUMBER OF COLUMNS/PLATING
- 10 = 10 COLUMN TIN/LEAD
- 12 = 12 COLUMN TIN/LEAD
- 15 = 15 COLUMN TIN/LEAD
- 25 = 25 COLUMN TIN/LEAD
- 90 = 10 COLUMN MATTE TIN
- 92 = 12 COLUMN MATTE TIN
- 95 = 15 COLUMN MATTE TIN
- 85 = 25 COLUMN MATTE TIN

REVISED: ADD LEAD-FREE EC NO: LCP2006-1727 DRWN: C. THOMAS 2006/02/16 CHKD: B. BINGHAM 2006/02/16 APPR: K. J. LEVY 2006/02/16	QUALITY SYMBOLS	GENERAL TOLERANCES (UNLESS SPECIFIED)		SCALE 2.5:1	DESIGN UNITS METRIC	THIRD ANGLE PROJECTION	REVISE ON CAD ONLY	
	▼-0 ▽-0		m/m	INCH	DIMENSION STYLE MM ONLY		HSD SALES ASSEMBLY 5 ROW OPEN END BACKPLANE	MOLEX INCORPORATED SEE TABLES
		4 PLACES	± .005	± .0002	DRAWN BY	DATE		
		3 PLACES	± .005	± .0002	MQWANG	2001/04/11		
	2 PLACES	± .005	± .0002	CHECKED BY	DATE			
	1 PLACE	± .005	± .0002	NMARTIN	2001/04/14			
		ANGULAR ±1/2°		APPROVED BY	DATE	MATERIAL NO.	DOCUMENT NO.	
		DRAFT WHERE APPLICABLE MUST REMAIN WITHIN DIMENSIONS		CBIXLER	2001/04/14	SEE TABLES	SD-74695-002	
		THIS DRAWING CONTAINS INFORMATION THAT IS PROPRIETARY TO MOLEX INCORPORATED AND SHOULD NOT BE USED WITHOUT WRITTEN PERMISSION						SHEET NO. 2 OF 3

8 | 7 | 6 | 5 | 4 | 3 | 2 | 1

PART NUMBER	COLUMN	NUMBER OF SIGNAL PINS	NUMBER OF SHIELDS	A	B	M	Au (um) THICKNESS	Sn/Pb (um)
74695-1001	10	40	10	20.00	18.00	4.75	0.76	0.76-1.52
74695-1006							1.27	
74695-1201	12	48	12	24.00	22.00		0.76	
74695-1206						1.27		
74695-2501	25	100	25	50.00	48.00	6.25	0.76	
74695-2506							1.27	
74695-1002	10	40	10	20.00	18.00		0.76	
74695-1007						1.27		
74695-1202	12	48	12	24.00	22.00	4.25	0.76	
74695-1207							1.27	
74695-2502	25	100	25	50.00	48.00		0.76	
74695-2507						1.27		
74695-1003	10	40	10	20.00	18.00	5.15	0.76	
74695-1008							1.27	
74695-1203	12	48	12	24.00	22.00		0.76	
74695-1208						1.27		
74695-2503	25	100	25	50.00	48.00	4.75	0.76	
74695-2508							1.27	
74695-1004	10	40	10	20.00	18.00		0.76	
74695-1009						1.27		
74695-1204	12	48	12	24.00	22.00	6.25	0.76	
74695-1209							1.27	
74695-2504	25	100	25	50.00	48.00		0.76	
74695-2509						1.27		

TIN/LEAD CHART

PART NUMBER	COLUMN	NUMBER OF SIGNAL PINS	NUMBER OF SHIELDS	A	B	M	Au (um) THICKNESS	Sn (um)
74695-9001	10	40	10	20.00	18.00	4.75	0.76	0.76-1.52
74695-9006							1.27	
74695-9501	12	48	12	24.00	22.00		0.76	
74695-9506						1.27		
74695-8501	25	100	25	50.00	48.00	6.25	0.76	
74695-8506							1.27	
74695-9002	10	40	10	20.00	18.00		0.76	
74695-9007						1.27		
74695-9502	12	48	12	24.00	22.00	4.25	0.76	
74695-9507							1.27	
74695-8502	25	100	25	50.00	48.00		0.76	
74695-8507						1.27		
74695-9003	10	40	10	20.00	18.00	5.15	0.76	
74695-9008							1.27	
74695-9503	12	48	12	24.00	22.00		0.76	
74695-9508						1.27		
74695-8503	25	100	25	50.00	48.00	4.75	0.76	
74695-8508							1.27	
74695-9004	10	40	10	20.00	18.00		0.76	
74695-9009						1.27		
74695-9504	12	48	12	24.00	22.00	6.25	0.76	
74695-9509							1.27	
74695-8504	25	100	25	50.00	48.00		0.76	
74695-8509						1.27		

LEAD FREE CHART

ADDED SHEET: 3 EC NO: UCP2006-1727 DRAWN THOMAS 2006/02/16 CHECKED: JI INGHAM 2006/02/16 APPROVED: KJULVEY 2006/02/16	QUALITY SYMBOLS ▽=0 ▽=0	GENERAL TOLERANCES (UNLESS SPECIFIED)		DIMENSION STYLE <b>MM ONLY</b>		SCALE	DESIGN UNITS	THIRD ANGLE PROJECTION	
		4 PLACES	±	---	mm	INCH	---	---	HSD SALES ASSEMBLY 5 ROW OPEN END BACKPLANE  MOLEX INCORPORATED
		3 PLACES	±	---	---	---	---	---	
		2 PLACES	±	---	---	---	---	---	
1 PLACE	±	---	---	---	---	---			
		ANGULAR ±1/2°		DRAWN BY MOWANG		DATE 2001/04/11		MATERIAL NO. SEE TABLES	
				CHECKED BY NMARTIN		DATE 2001/04/14			
				APPROVED BY CBIXLER		DATE 2001/04/14		DOCUMENT NO. SD-74695-002	
DRAFT WHERE APPLICABLE MUST REMAIN WITHIN DIMENSIONS				SIZE C		THIS DRAWING CONTAINS INFORMATION THAT IS PROPRIETARY TO MOLEX INCORPORATED AND SHOULD NOT BE USED WITHOUT WRITTEN PERMISSION		SHEET NO. 3 OF 3	