

Excellent Integrated System Limited

Stocking Distributor

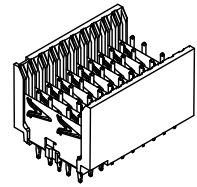
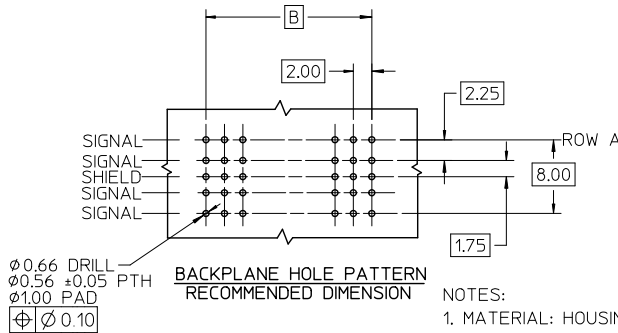
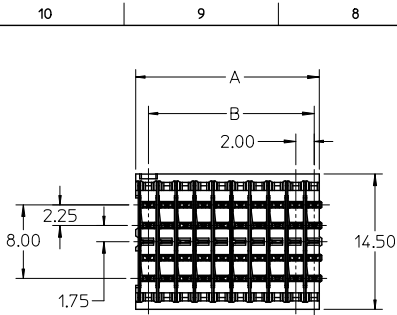
Click to view price, real time Inventory, Delivery & Lifecycle Information:

[Molex Connector Corporation](#)

[0746951102](#)

For any questions, you can email us directly:

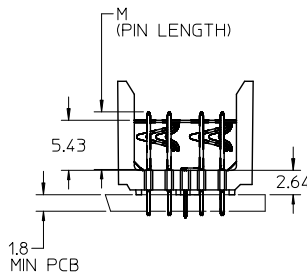
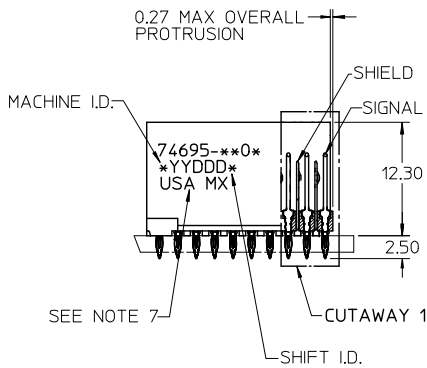
sales@integrated-circuit.com



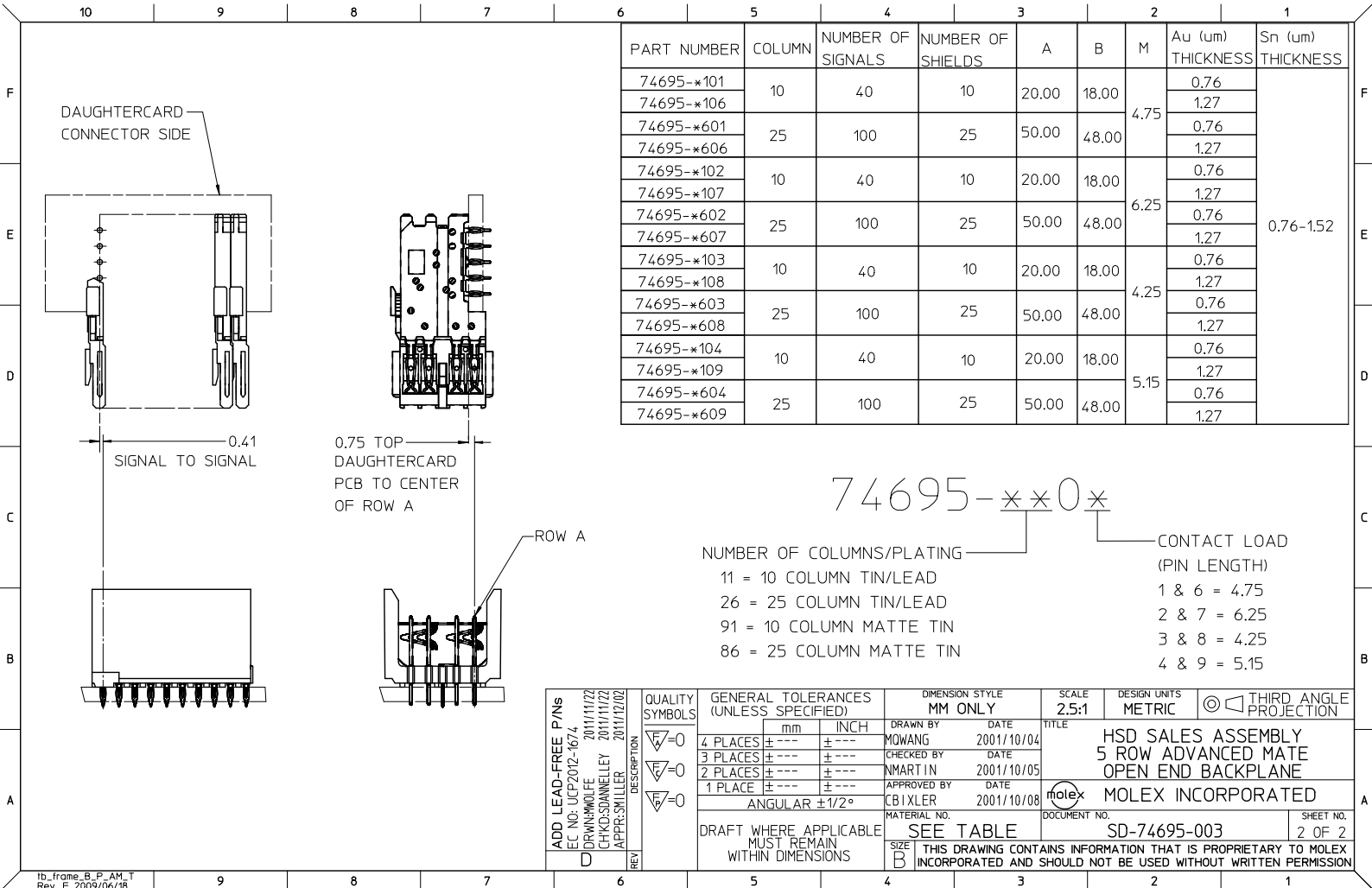
∅0.66 DRILL
∅0.56 ±0.05 PTH
∅1.00 PAD
∅0.10

NOTES:

1. MATERIAL: HOUSING -LIQUID CRYSTAL POLYMER (LCP), GLASS-FILLED. UL94 V-0. COLOR: BLACK. SIGNAL & SHIELD -COPPER ALLOY.
2. FINISHES: SELECTIVE GOLD (Au) ON CONTACT AREA, SELECTIVE TIN/LEAD (Sn/Pb) OR SELECTIVE MATTE TIN (Sn), NICKEL (Ni) OVERALL.
3. THIS PART CONFORMS TO MOLEX PRODUCT SPECIFICATION PS-74031-999.
4. FOR MIXED CONTACT MATING LENGTHS CONSULT MOLEX FOR AVAILABILITY.
5. FOR SPECIFIC PART NUMBER AND MATING INFORMATION REFER TO SHEET 2.
6. PACKAGE PER PK-74695-003.
7. EITHER MARK PART NUMBER AND DATE CODE APPROXIMATELY WHERE SHOWN OR PLACE LABEL ON THE TUBE.
8. THIS PART CONFORMS TO CLASS B REQUIREMENTS OF MOLEX COSMETIC SPECIFICATION PS-45499-002.



ADD LEAD-FREE PINS EC NO: LCP2012-1674 DRAWN BY: CHYKSDANIELLEY CHECKED BY: APPR:SMILLER	DESCRIPTION 2011/11/22 2011/11/22 2011/12/02	QUALITY SYMBOLS ▽=0 ▽=0 ▽=0	GENERAL TOLERANCES (UNLESS SPECIFIED)		DIMENSION STYLE MM ONLY		SCALE 2.5:1	DESIGN UNITS METRIC	THIRD ANGLE PROJECTION	
				mm	INCH	DRAWN BY MOWANG	DATE 2001/10/04	TITLE HSD SALES ASSEMBLY 5 ROW ADVANCED MATE OPEN END BACKPLANE		
			4 PLACES ±---	±---	±---	CHECKED BY NMARTIN	DATE 2001/10/05	MOLEX INCORPORATED		
			3 PLACES ±---	±---	±---	APPROVED BY CBI XLER	DATE 2001/10/08	DOCUMENT NO. SD-74695-003	SHEET NO. 1 OF 2	
			ANGULAR ±1/2°		MATERIAL NO. SEE TABLE		DRAFT WHERE APPLICABLE MUST REMAIN WITHIN DIMENSIONS			
			SIZE B		THIS DRAWING CONTAINS INFORMATION THAT IS PROPRIETARY TO MOLEX INCORPORATED AND SHOULD NOT BE USED WITHOUT WRITTEN PERMISSION					



ADD LEAD-FREE P/NS EC NO: UCP2012-1674 DRAWN BY: 2011/11/22 CHKSDANIELLEY 2011/11/22 APPR:STILLER 2011/12/02	QUALITY SYMBOLS	GENERAL TOLERANCES (UNLESS SPECIFIED)		DIMENSION STYLE MM ONLY		SCALE 2.5:1	DESIGN UNITS METRIC	THIRD ANGLE PROJECTION
	▽=0	mm	INCH	DRAWN BY	DATE	TITLE		
	▽=0	4 PLACES ±---	±---	MOWANG	2001/10/04	HSD SALES ASSEMBLY		
	▽=0	3 PLACES ±---	±---	CHECKED BY	DATE	5 ROW ADVANCED MATE		
		2 PLACES ±---	±---	NMARTIN	2001/10/05	OPEN END BACKPLANE		
		1 PLACE ±---	±---	APPROVED BY	DATE	MOLEX INCORPORATED		
		ANGULAR ±1/2°		CBIXLER	2001/10/08	MOLEX INCORPORATED		
		DRAFT WHERE APPLICABLE MUST REMAIN WITHIN DIMENSIONS		MATERIAL NO. SEE TABLE		DOCUMENT NO.	SHEET NO.	
				SIZE B		SD-74695-003		2 OF 2
		THIS DRAWING CONTAINS INFORMATION THAT IS PROPRIETARY TO MOLEX INCORPORATED AND SHOULD NOT BE USED WITHOUT WRITTEN PERMISSION						