

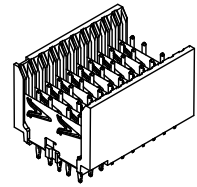
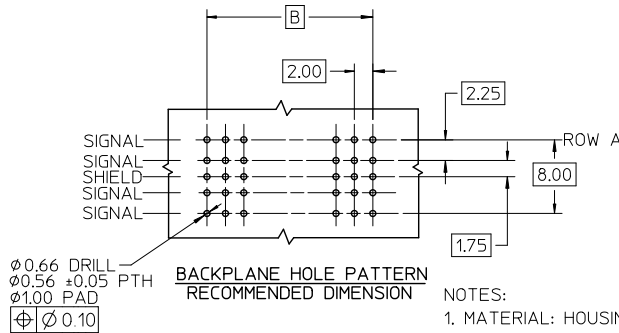
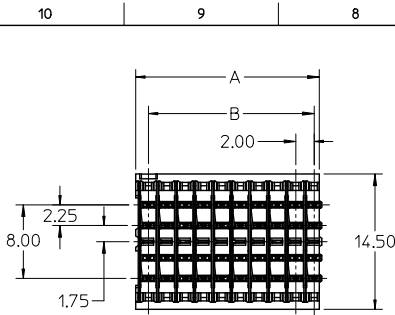
Excellent Integrated System Limited

Stocking Distributor

Click to view price, real time Inventory, Delivery & Lifecycle Information:

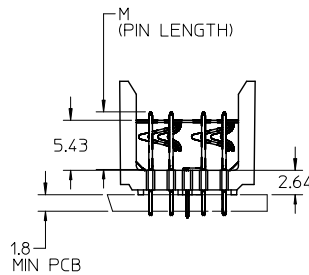
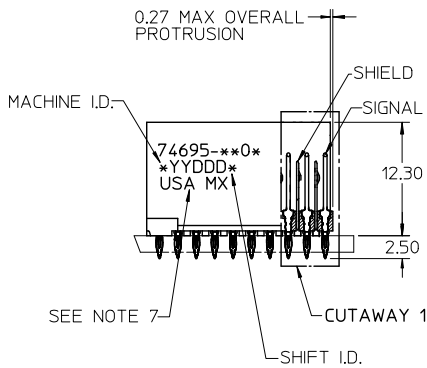
[Molex Connector Corporation](#)
[0746952601](#)

For any questions, you can email us directly:
sales@integrated-circuit.com



NOTES:

1. MATERIAL: HOUSING -LIQUID CRYSTAL POLYMER (LCP), GLASS-FILLED. UL94 V-0. COLOR: BLACK. SIGNAL & SHIELD -COPPER ALLOY.
2. FINISHES: SELECTIVE GOLD (Au) ON CONTACT AREA, SELECTIVE TIN/LEAD (Sn/Pb) OR SELECTIVE MATTE TIN (Sn), NICKEL (Ni) OVERALL.
3. THIS PART CONFORMS TO MOLEX PRODUCT SPECIFICATION PS-74031-999.
4. FOR MIXED CONTACT MATING LENGTHS CONSULT MOLEX FOR AVAILABILITY.
5. FOR SPECIFIC PART NUMBER AND MATING INFORMATION REFER TO SHEET 2.
6. PACKAGE PER PK-74695-003.
7. EITHER MARK PART NUMBER AND DATE CODE APPROXIMATELY WHERE SHOWN OR PLACE LABEL ON THE TUBE.
8. THIS PART CONFORMS TO CLASS B REQUIREMENTS OF MOLEX COSMETIC SPECIFICATION PS-45499-002.



ADD LEAD-FREE PINS EC NO: LCP2012-1674 DRAWN BY: CHYKSDANIELLEY CHECKED BY: APPRESMILLER DATE: 2011/11/22 DATE: 2011/12/02	QUALITY SYMBOLS	GENERAL TOLERANCES (UNLESS SPECIFIED)		DIMENSION STYLE MM ONLY		SCALE 2.5:1	DESIGN UNITS METRIC	THIRD ANGLE PROJECTION
	▽=0	4 PLACES ±	mm	INCH	DRAWN BY MOWANG	DATE 2001/10/04	TITLE HSD SALES ASSEMBLY 5 ROW ADVANCED MATE OPEN END BACKPLANE	
	▽=0	3 PLACES ±	±	±	CHECKED BY NMARTIN	DATE 2001/10/05	MOLEX INCORPORATED	
	▽=0	2 PLACES ±	±	±	APPROVED BY CBIXLER	DATE 2001/10/08	DOCUMENT NO. SD-74695-003	SHEET NO. 1 OF 2
REV	ANGULAR ±1/2°		DRAFT WHERE APPLICABLE MUST REMAIN WITHIN DIMENSIONS		MATERIAL NO. SEE TABLE		THIS DRAWING CONTAINS INFORMATION THAT IS PROPRIETARY TO MOLEX INCORPORATED AND SHOULD NOT BE USED WITHOUT WRITTEN PERMISSION	

