

Excellent Integrated System Limited

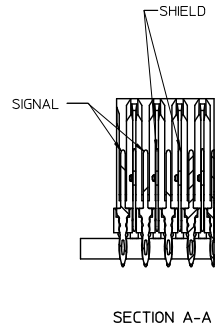
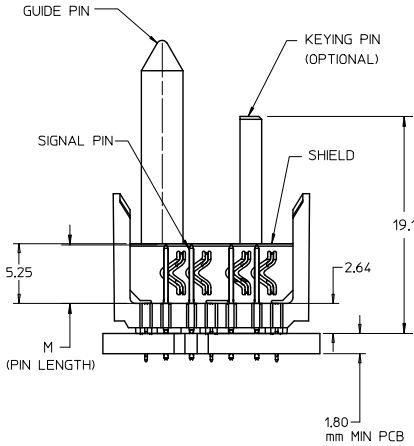
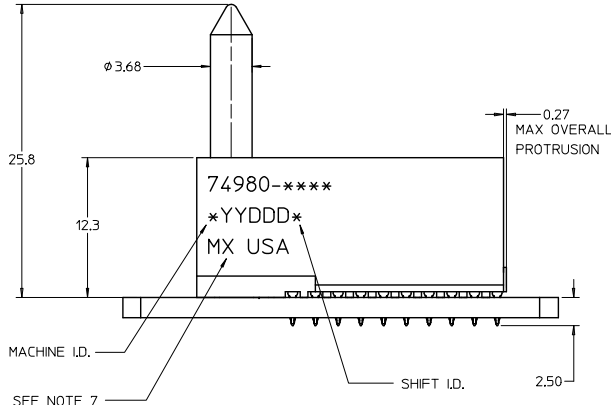
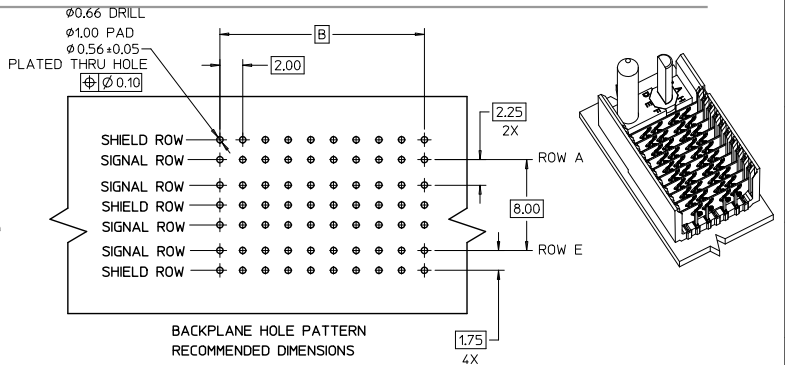
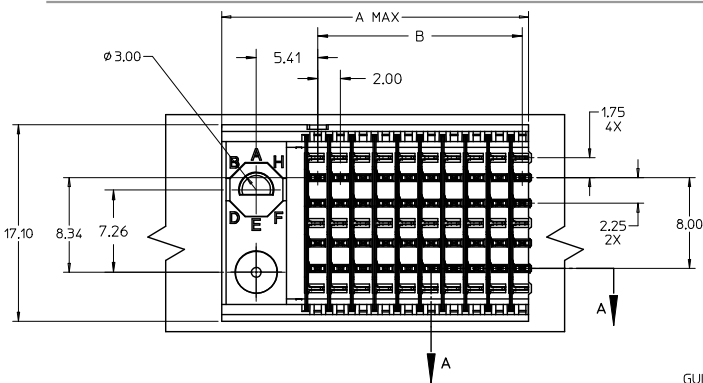
Stocking Distributor

Click to view price, real time Inventory, Delivery & Lifecycle Information:

[Molex Connector Corporation](#)
[0749801002](#)

For any questions, you can email us directly:

sales@integrated-circuit.com

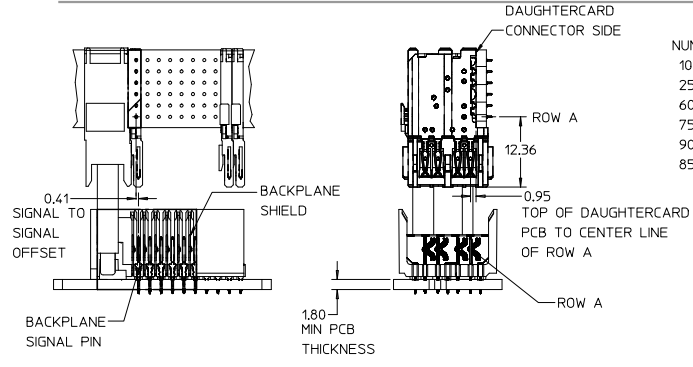


- NOTES:
1. MATERIAL: HOUSING-LIQUID CRYSTAL POLYMER (LCP) GLASS-FILLED, UL 94V-0, COLOR-BLACK, SIGNAL AND SHIELD - HIGH PERFORMANCE COPPER ALLOY.
 2. FINISHES:
CONTACT AREA: SELECTIVE GOLD (Au)
PCB TAILS: SELECTIVE MATTE TIN (Sn)
NICKEL (Ni) OVERALL.
 3. THIS PART CONFORMS TO MOLEX PRODUCT SPECIFICATION PS-74031-999.
 4. FOR MIXED CONTACT MATING LENGTHS - CONSULT MOLEX FOR AVAILABILITY.
 5. FOR SPECIFIC PART NUMBER AND MATING INFORMATION REFER TO SHEET 2.
 6. PACKAGE PER PK-74058-003.
 7. MARK PART NUMBER AND DATE CODE APPROXIMATELY WHERE SHOWN
 8. MAPS (MOLEX ADVANCED PLATING SYSTEM).

THE PRIMARY CARTON WITH A LABEL STATING 'ELV AND RoHS COMPLAINT' IS LEAD FREE. CARTONS WITHOUT THIS LABEL MAY CONTAIN LEAD.

LEAD FREE CONVERSION EC NO: UCP 2015-0687 DRAWINGS: 2012/08/22 CHK:CKMULFE 2012/11/21 APPR:SMILLER 2012/12/14 DESCRIPTION: REV	QUALITY SYMBOLS	GENERAL TOLERANCES (UNLESS SPECIFIED)	DIMENSION STYLE	SCALE	DESIGN UNITS	THIRD ANGLE PROJECTION
	▽=0	mm INCH	MM ONLY	4:1	METRIC	
	▽=0	4 PLACES ± --- ± ---	DRAWN BY	DATE	TITLE	
	▽=0	3 PLACES ± --- ± ---	NMART IN	2002/09/04	HSD SALES ASSEMBLY	
	2 PLACES ± --- ± ---	CHECKED BY	DATE	6 ROW SIGNAL END		
	1 PLACE ± --- ± ---	SREED	2002/09/04	BACKPLANE		
	0 PLACE ± --- ± ---	APPROVED BY	DATE	molex		
		CBIXLER	2002/09/04			
		MATERIAL NO.	DOCUMENT NO.			
		SEE SHT.2	SD-74980-010			
		DRAFT WHERE APPLICABLE MUST REMAIN WITHIN DIMENSIONS	THIS DRAWING CONTAINS INFORMATION THAT IS PROPRIETARY TO MOLEX INCORPORATED AND SHOULD NOT BE USED WITHOUT WRITTEN PERMISSION			

13 12 11 10 9 8 7 6 5 4 3 2 1



74980-***
 NUMBER OF COLUMNS/PLATING
 10 = 10 COLUMN MATTE TIN (FORMERLY TIN/LEAD)
 25 = 25 COLUMN MATTE TIN (FORMERLY TIN/LEAD)
 60 = 10 COLUMN MATTE TIN (MAPS)
 75 = 25 COLUMN MATTE TIN (MAPS)
 90 = 10 COLUMN MATTE TIN
 85 = 25 COLUMN MATTE TIN

SIGNAL PIN LENGTH (mm)
 1 & 6 = 4.75
 2 & 7 = 6.25
 3 & 8 = 4.25
 4 & 9 = 5.15

P/N 74980-()	0	1* A	2* B	3* C	4* D	5* E	6* F	7* G	8* H
KEYING PIN ORIENTATION									

PART NUMBER	COLUMN	NUMBER OF SIGNAL PIN	NUMBER OF SHIELD	A	B	M	GOLD THICKNESS MICROMETER	TIN THICKNESS MICROMETER
74980-60*1	10	40	10	27.00	18.00	4.75	0.25 MAPS	0.76-1.52
74980-x0*1							0.76	
74980-x0*6							1.27	
74980-75*1	25	100	25	57.00	48.00	6.25	0.25 MAPS	
74980-x5*1							0.76	
74980-x5*6							1.27	
74980-60*2	10	40	10	27.00	18.00	6.25	0.25 MAPS	
74980-x0*2							0.76	
74980-x0*7							1.27	
74980-75*2	25	100	25	57.00	48.00	6.25	0.25 MAPS	
74980-x5*2							0.76	
74980-x5*7							1.27	
74980-60*3	10	40	10	27.00	18.00	4.25	0.25 MAPS	
74980-x0*3							0.76	
74980-x0*8							1.27	
74980-75*3	25	100	25	57.00	48.00	4.25	0.25 MAPS	
74980-x5*3							0.76	
74980-x5*8							1.27	
74980-60*4	10	40	10	27.00	18.00	5.15	0.25 MAPS	
74980-x0*4							0.76	
74980-x0*9							1.27	
74980-75*4	25	100	25	57.00	48.00	5.15	0.25 MAPS	
74980-x5*4							0.76	
74980-x5*9							1.27	

SEE SHEET 1 EC NO: UCP2013-0687 2012/08/27 DRAWINGS CHK:DMOLFE 2012/11/21 APPR:SMILLER 2012/12/14	QUALITY SYMBOLS □=0 □=0 □=0	GENERAL TOLERANCES (UNLESS SPECIFIED) mm INCH		DIMENSION STYLE MM ONLY		SCALE 4:1	DESIGN UNITS METRIC	THIRD ANGLE PROJECTION
		4 PLACES ± --- ± --- 3 PLACES ± --- ± --- 2 PLACES ± --- ± --- 1 PLACE ± --- ± --- 0 PLACE ± --- ± ---	DRAWN BY NMART IN DATE 2002/09/04	CHECKED BY SREED DATE 2002/09/04	TITLE HSD SALES ASSEMBLY 6 ROW SIGNAL END BACKPLANE			
		ANGULAR ± 1 ° DRAFT WHERE APPLICABLE MUST REMAIN WITHIN DIMENSIONS	APPROVED BY CBIXLER DATE 2002/09/04	MATERIAL NO. SEE TABLE	DOCUMENT NO. SD-74980-010	SHEET NO. 2 OF 2		
		THIS DRAWING CONTAINS INFORMATION THAT IS PROPRIETARY TO MOLEX INCORPORATED AND SHOULD NOT BE USED WITHOUT WRITTEN PERMISSION						

12 11 10 9 8 7 6 5 4 3 2 1