

Excellent Integrated System Limited

Stocking Distributor

Click to view price, real time Inventory, Delivery & Lifecycle Information:

[Molex Connector Corporation](#)
[0855065002](#)

For any questions, you can email us directly:

sales@integrated-circuit.com

NOTES :

1- MATERIAL:

-HOUSING: LCP FIBER GLASS FILLED UL 94-V0, COLOR BLACK.
 -TERMINAL: PHOSPHOR BRONZE

PLATING :

BASE FINISH: NICKEL
 CONTACT SURFACE FINISH:
 GOLD,
 OR
 GOLD FLASH OVER PALLADIUM NICKEL.

EXCEEDS PRODUCT REQUIREMENTS BASED ON PS-85506-001

2- JACK FOR MATING WITH IEC 60603-7 AND TIA-1096-A (90075 MOLEX SERIES).

3- PRODUCT SPECIFICATION PS-85506-001

4- PACKAGING SPECIFICATION PK-95022 (TRAY PACKAGING).

5- EXCEEDS CATEGORY 5E PERFORMANCE.

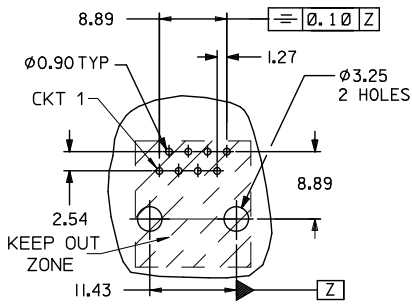
6- PC BOARD THICKNESS: 1.57

7- MANUFACTURING I.D. CAN BE MG, MXF OR MXI.

8- APPLICATION SPECIFICATION: AS-85513-001

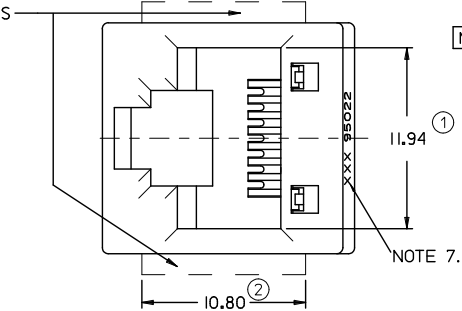
LAST INSPECTION NUMBER: 19

P.C.B. MOUNTING PATTERN
 (see from component side)
 ALL DIMENSIONS REF DIMENSIONS

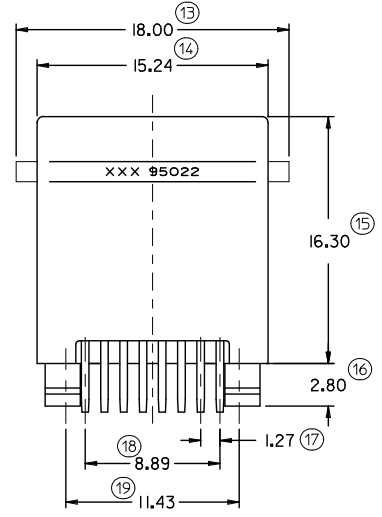
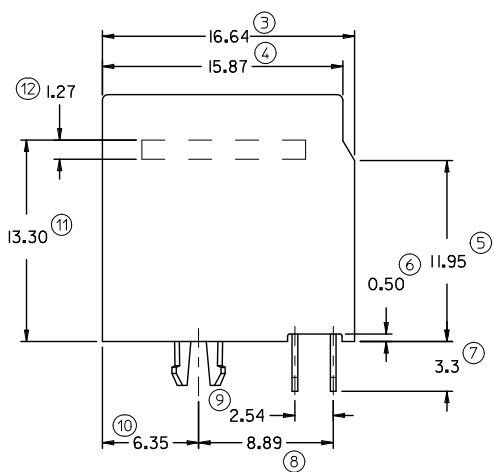


SCALE 2:1

OPTIONAL RIBS



	JACK WITH RIBS	JACK WITHOUT RIBS
MATERIAL No.	85506-5001	85506-5002



REMOVED PLATING OPTION EC NO: IPG2012-0620 DRAWN BY: CHYKASHANAN CHKD BY: CHYKASHANAN APPROVED BY: LEFULAN	DESCRIPTION 2012/04/03 2012/04/17 2012/06/28	QUALITY SYMBOLS	GENERAL TOLERANCES (UNLESS SPECIFIED)	DIMENSION STYLE	SCALE	DESIGN UNITS	THIRD ANGLE PROJECTION																
		▼=0 ▽=0	<table border="1"> <tr> <th></th> <th>mm</th> <th>INCH</th> </tr> <tr> <td>4 PLACES</td> <td>± ---</td> <td>± ---</td> </tr> <tr> <td>3 PLACES</td> <td>± ---</td> <td>± ---</td> </tr> <tr> <td>2 PLACES</td> <td>± 0.15</td> <td>± ---</td> </tr> <tr> <td>1 PLACE</td> <td>± 0.25</td> <td>± ---</td> </tr> <tr> <td colspan="3">ANGULAR ± 2°</td> </tr> </table>		mm	INCH	4 PLACES	± ---	± ---	3 PLACES	± ---	± ---	2 PLACES	± 0.15	± ---	1 PLACE	± 0.25	± ---	ANGULAR ± 2°			MM ONLY	4:1
	mm	INCH																					
4 PLACES	± ---	± ---																					
3 PLACES	± ---	± ---																					
2 PLACES	± 0.15	± ---																					
1 PLACE	± 0.25	± ---																					
ANGULAR ± 2°																							
DRAFT WHERE APPLICABLE MUST REMAIN WITHIN DIMENSIONS				DRAWN BY: FB CHECKED BY: MF APPROVED BY: FB DATE: 98/02/25 DATE: 1998/02/26 DATE: 1998/02/28	TITLE: HIGH SPEED MODULAR JACK HIGH PROFILE TOP ENTRY THROUGH HOLE 8 CIRCUIT MOLEX INCORPORATED MATERIAL NO. SEE CHART DOCUMENT NO. SD-85506-501 SHEET NO. 1 OF 1																		