



Distributor of Molex Connector Corporation: Excellent Integrated System Limited
Datasheet of 0940304530 - Connector Quick Connect Receptacle 18-24 AWG 0.187"
(4.75mm) Crimp

Contact us: sales@integrated-circuit.com Website: www.integrated-circuit.com

Excellent Integrated System Limited

Stocking Distributor

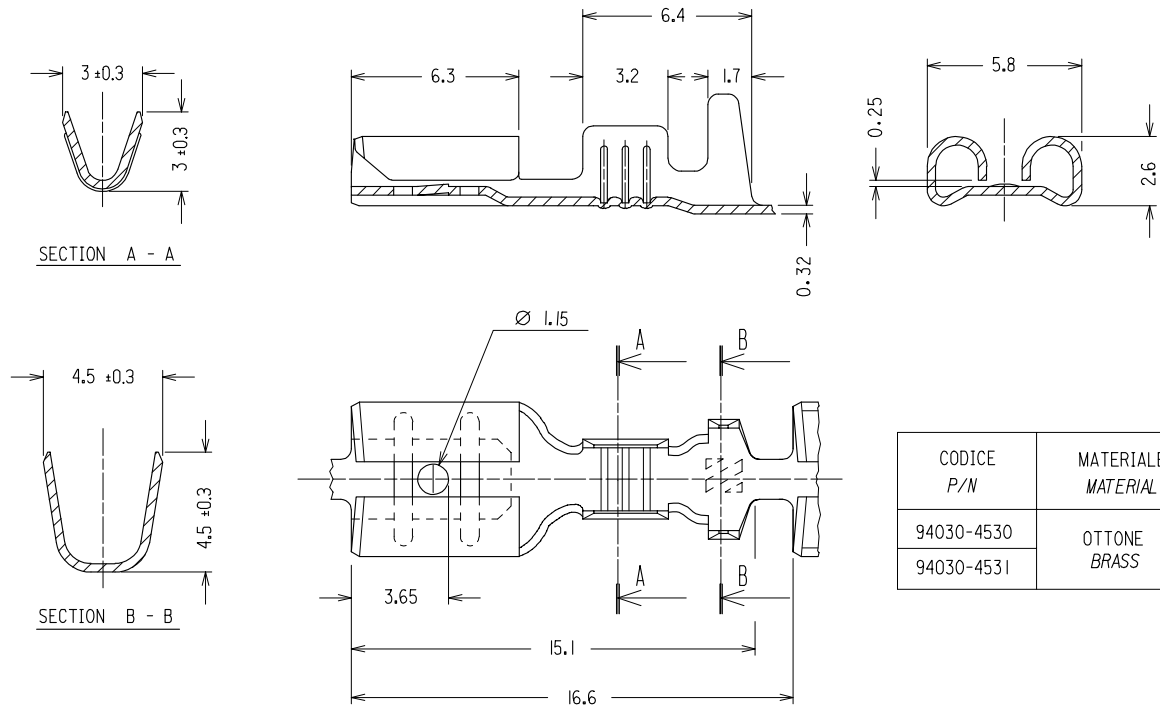
Click to view price, real time Inventory, Delivery & Lifecycle Information:

[Molex Connector Corporation](#)
[0940304530](#)

For any questions, you can email us directly:
sales@integrated-circuit.com

E
D
C
B
A

E
D
C
B
A



CODICE P/N	MATERIALE MATERIAL	FINITURA PLATING
94030-4530	OTTONE	GREGGIO/ PLAIN
94030-4531	BRASS	STAGNATO/ TIN

SPQ = 36000 pz. Std. Descr.: FEM TERM 4.8/0.5 BRS TIN 05-1

ENTER DESCRIPTION EC NO: Z2005-0195 DRAWN BY: FGOTTARDO CHKDRSANDANO APPR: GZUJIN 2005/06/16 2005/06/16 2005/06/17	QUALITY SYMBOLS ▽=0 ▽=0	GENERAL TOLERANCES (UNLESS SPECIFIED)		DIMENSION STYLE	SCALE	DESIGN UNITS	FIRST ANGLE PROJECTION		
			mm	INCH	MM ONLY	5:1	METRIC	☐	
		4 PLACES	± ---	± ---	DRAWN BY	DATE	TITLE		
		3 PLACES	± ---	± ---	FGOTTARDO	1990/01/15	QIK KONNECT RECEPTACLE FOR 4.8X0.5 TABS WIRE RANGE 0.5-1.0 MMQ		
		2 PLACES	± 0.2	± ---	CHECKED BY	DATE	MOLEX INCORPORATED		
1 PLACE	± 0.1	± ---	APPROVED BY	DATE	MATERIAL NO.				
		ANGULAR ± 2 °	MPREVIATO	1990/01/15	DOCUMENT NO.				
		DRAFT WHERE APPLICABLE MUST REMAIN WITHIN DIMENSIONS	SEE CHART		SD-94030-062				
			SIZE A4		SHEET NO. 1 OF 1				
				THIS DRAWING CONTAINS INFORMATION THAT IS PROPRIETARY TO MOLEX INCORPORATED AND SHOULD NOT BE USED WITHOUT WRITTEN PERMISSION					