



**Distributor of Molex Connector Corporation: Excellent Integrated System Limited**  
Datasheet of 0940305001 - Connector Quick Connect Receptacle 18-24 AWG 0.250"  
(6.35mm) Crimp

Contact us: [sales@integrated-circuit.com](mailto:sales@integrated-circuit.com) Website: [www.integrated-circuit.com](http://www.integrated-circuit.com)

---

## **Excellent Integrated System Limited**

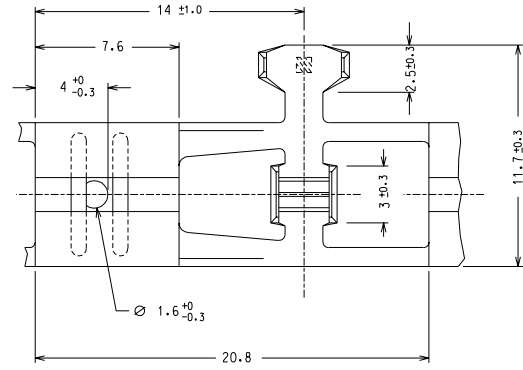
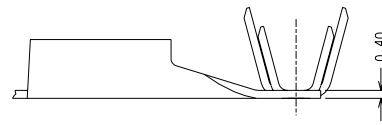
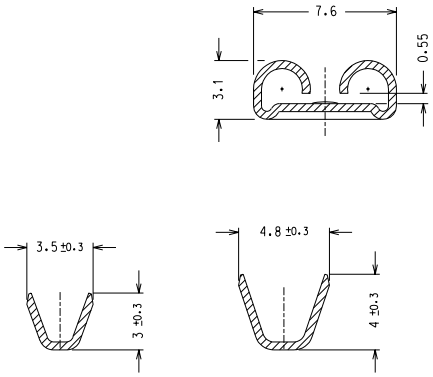
Stocking Distributor

Click to view price, real time Inventory, Delivery & Lifecycle Information:

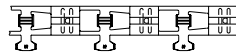
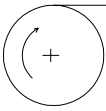
[Molex Connector Corporation](#)  
[0940305001](#)

For any questions, you can email us directly:  
[sales@integrated-circuit.com](mailto:sales@integrated-circuit.com)

Contact us: [sales@integrated-circuit.com](mailto:sales@integrated-circuit.com) Website: [www.integrated-circuit.com](http://www.integrated-circuit.com)



SENSO DI AVANZAMENTO PER MINI APPLICATORE  
 DIRECTION OFF TOP OF REEL



CODICE P/N	MATERIALE MATERIAL	FINITURA PLATING
94030-5000	OTTONE BRASS	GREGGIO/ PLAIN
94030-5001		STAGNATO/ TIN

REVISE ONLY ON CAD SYSTEM		SH.	REV.
CAD/CAM FILENAME CAD FILE 030500XS		THIS DRAWING CONTAINS INFORMATION THAT IS PROPRIETARY TO MOLEX INC AND SHOULD NOT BE USED WITHOUT WRITTEN PERMISSION	
TITLE TERMINALE FEMMINA A BANDIERA DA 6.3 x 0.8 QIK KONNECT FLAG 6.3 x 0.8			
SEZ./RAME/WIRE RANGE: 0.5-1.0 mm <sup>2</sup> —ISOLANTE/INS. RANGE: Ø 2.0-3.3 mm			
DESIGN DIMENSION (PRIMARY) <input type="checkbox"/> (MM) <input type="checkbox"/> IN.		SHEET NO./DATE 1 / 1 17-01-90	
EQUIVALENT DIMENSION (SECONDARY) <input type="checkbox"/> (MM) <input type="checkbox"/> IN.		PART NO. VEDI TABELLA SEE CHART	
SCALE 5 : 1		DWG NO. 94030-500X SD	
DRAWN BY Gottardo		SIZE B	
CHK'D BY			
APP'D BY Previtato			
DIMENSIONS SHOWN (METRIC) INCH UNLESS OTHERWISE SPECIFIED TOLERANCES ANGULAR ± 0.1°			
3 PLACE ±			
2 PLACE ±			
1 PLACE ±			
REVISIONS			
A 19-01-90 G.F.			
A1 EDN Z7-007 12-07-96 G.F.			