

Excellent Integrated System Limited

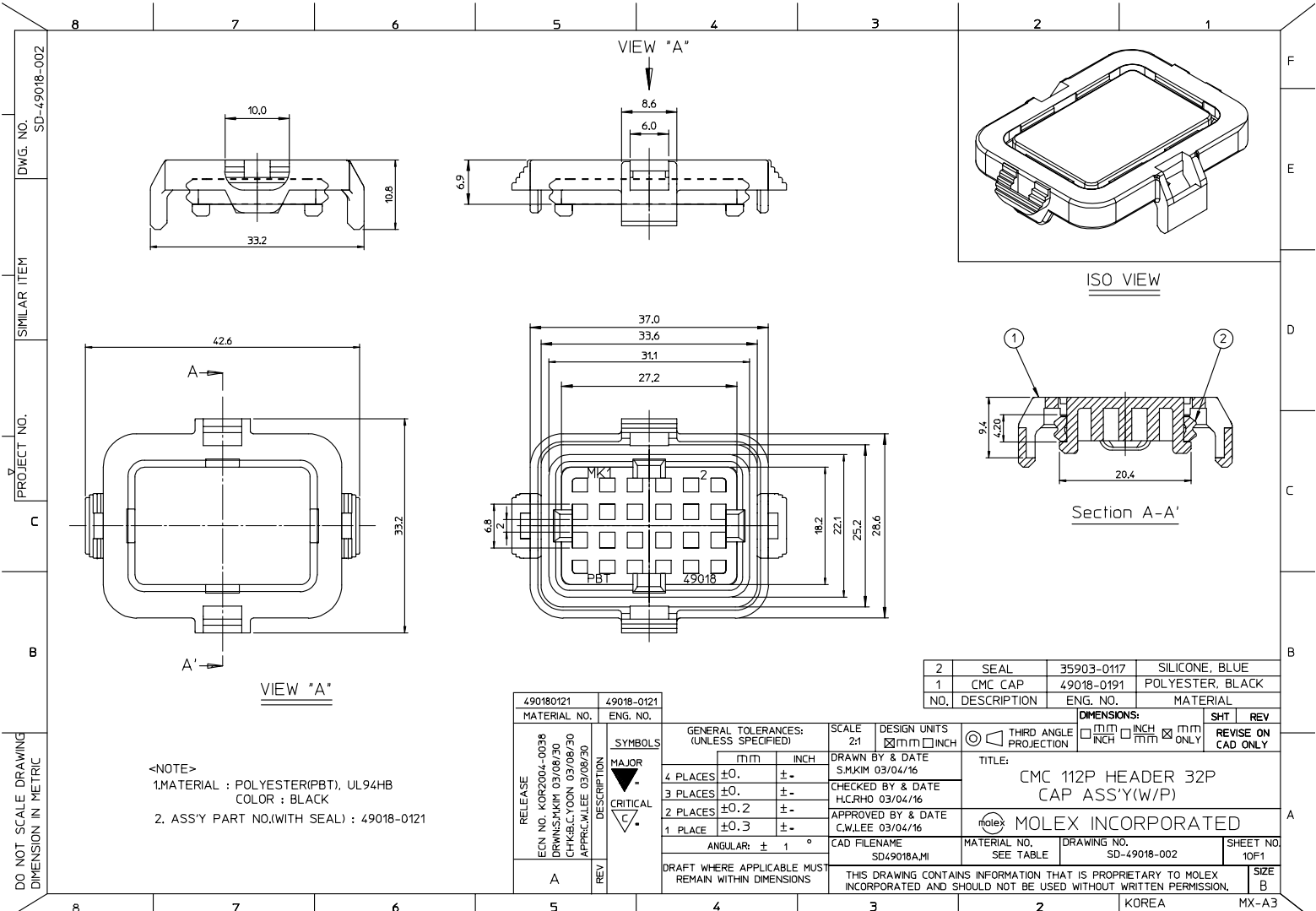
Stocking Distributor

Click to view price, real time Inventory, Delivery & Lifecycle Information:

[Molex Connector Corporation](#)
[0490180121](#)

For any questions, you can email us directly:

sales@integrated-circuit.com



<NOTE>
1. MATERIAL : POLYESTER(PBT), UL94HB
COLOR : BLACK
2. ASS'Y PART NO.(WITH SEAL) : 49018-0121

490180121	49018-0121	GENERAL TOLERANCES: (UNLESS SPECIFIED)		SCALE	DESIGN UNITS	THIRD ANGLE PROJECTION	DIMENSIONS:		SHT	REV
MATERIAL NO.	ENG. NO.	4 PLACES	±0.	2:1	<input checked="" type="checkbox"/> mm <input type="checkbox"/> INCH	<input type="checkbox"/> mm <input type="checkbox"/> INCH	<input type="checkbox"/> mm <input type="checkbox"/> INCH	<input checked="" type="checkbox"/> mm ONLY		
RELEASE	SYMBOLS	3 PLACES	±0.	DRAWN BY & DATE	TITLE:					
ECN NO. KOR2004-0038	MAJOR	2 PLACES	±0.2	S.H.KIM 03/04/16	CMC 112P HEADER 32P					
DRWNS.MKIM 03/08/30	CRITICAL	1 PLACE	±0.3	CHECKED BY & DATE	CAP ASS'Y(W/P)					
CHKKB.C.YOON 03/08/30		ANGULAR: ± 1 °		APPROVED BY & DATE	MOLEX INCORPORATED					
APPR.C.W.LEE 03/08/30		DRAFT WHERE APPLICABLE MUST REMAIN WITHIN DIMENSIONS		CAD FILENAME	MATERIAL NO.	DRAWING NO.	SHEET NO.			
				SD49018A.MI	SEE TABLE	SD-49018-002	10F1			
A	REV			THIS DRAWING CONTAINS INFORMATION THAT IS PROPRIETARY TO MOLEX INCORPORATED AND SHOULD NOT BE USED WITHOUT WRITTEN PERMISSION.					SIZE	
									B	
										MX-A3

DO NOT SCALE DRAWING
DIMENSION IN METRIC

PROJECT NO. SIMILAR ITEM DWG. NO. SD-49018-002

8 7 6 5 4 3 2 1

F E D C B A

KOREA