

Excellent Integrated System Limited

Stocking Distributor

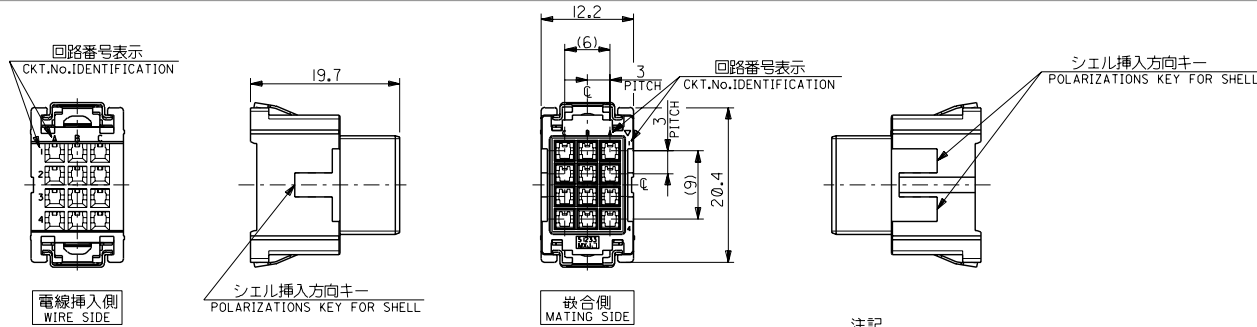
Click to view price, real time Inventory, Delivery & Lifecycle Information:

[Molex Connector Corporation](#)
[0512331211](#)

For any questions, you can email us directly:

sales@integrated-circuit.com

DWG. NO. SD-51233-007



注記
NOTES

1. 材質
MATERIAL
①ハウジング：ガラス入りPBT樹脂
HOUSING : PBT G.F.
UL94V-0 色：黒
UL94V-0 COLOR : BLACK
- ②スプリング：ステンレス鋼 t 0.3
SPRING : STAINLESS STEEL 10.3
2. 適用端子：56116-8*90, 56117-8*90
56118-8*90, 56119-8*90
APPLICABLE CRIMP PIN : 56116-8*90, 56117-8*90
56118-8*90, 56119-8*90
3. 適用リセパタクル シェル：56377-12**
APPLICABLE RECEPTACLE SHELL : 56377-12**
4. 嵌合相手：51239-120*
MEET WITH : 51239-120*

<誤嵌合防止キー（極性）タイプ> <POLARITY KEY TYPE>

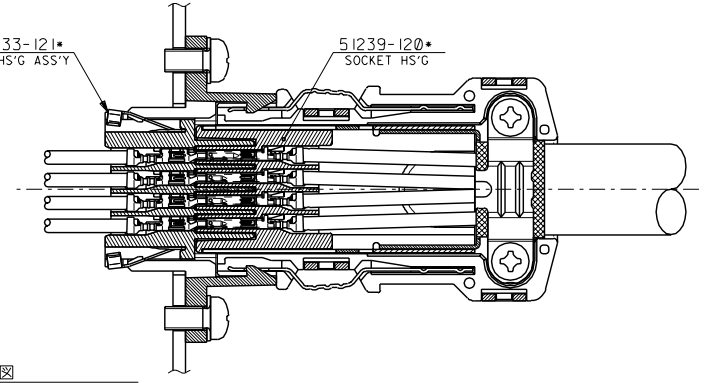
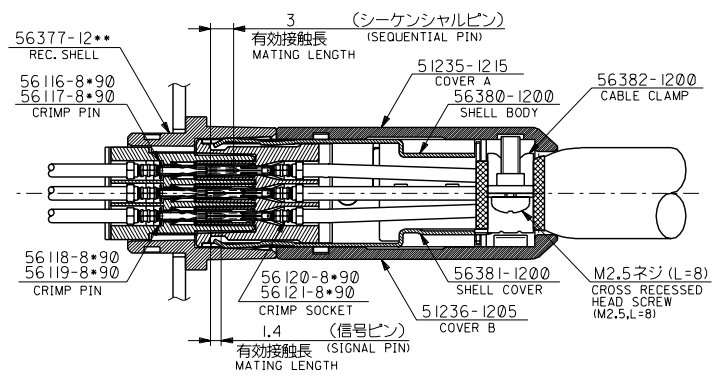
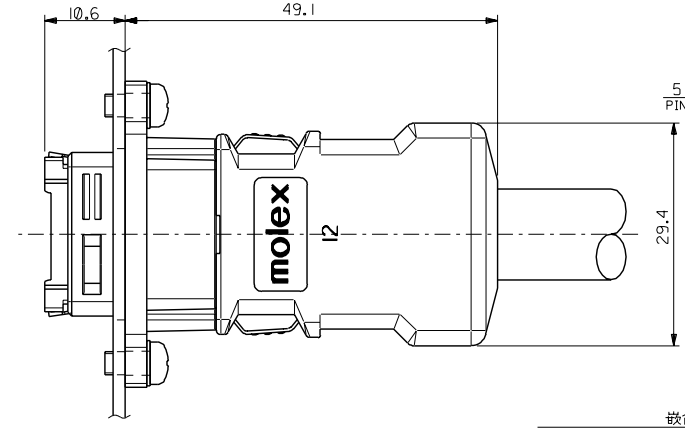
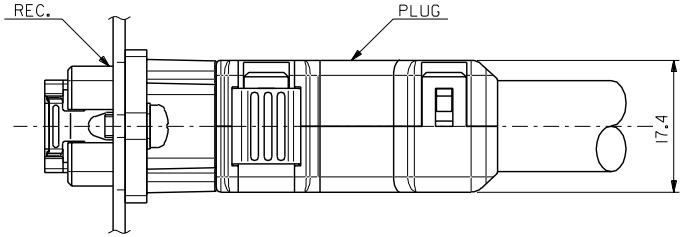
51233-1211	51233-1212	51233-1213	51233-1214	51233-1215
STANDARD TYPE	A TYPE	B TYPE	C TYPE	D TYPE

A-2	D	51233-1215	51233-***1*	12
C-3	C	51233-1214		
B-3	B	51233-1213		
B-2	A	51233-1212		
—	STANDARD	51233-1211		
POLARITY POSITION (CIRCUIT No.)	POLARITY TYPE	MATERIAL No.	MODEL No.	CIRCUIT

DO NOT SCALE DRAWING	EC NO. DRWN: CHK: APPR:	EC NO. DRWN: CHK: APPR:	EC NO. DRWN: CHK: APPR:	REVISED 01/10/04	MATERIAL 材料	GENERAL TOLERANCES: (UNLESS SPECIFIED) 一般公差	SCALE 2-1	DESIGN UNITS <input checked="" type="checkbox"/> MM <input type="checkbox"/> INCH	THIRD ANGLE PROJECTION	DIMENSIONS: <input type="checkbox"/> MM <input type="checkbox"/> INCH <input checked="" type="checkbox"/> MM ONLY	SHT REV
				REVISED 01/02/16							
8				A	注記参照 SEE NOTES	10 UNDER 未満 ±0.2	DRAWN BY & DATE S. Uchiyama 01/25		<input checked="" type="checkbox"/>		
7				0		10 OVER 30 UNDER 未満 ±0.25	CHECKED BY & DATE S. Uchiyama 01/25		<input type="checkbox"/>		
6						30 OVER 未満 ±0.3	APPROVED BY & DATE S. Uchiyama		<input type="checkbox"/>		
5									<input type="checkbox"/>		
4									<input type="checkbox"/>		
3									<input type="checkbox"/>		
2									<input type="checkbox"/>		
1									<input type="checkbox"/>		

A
51233007.S01

DWG. NO. SD-51233-007



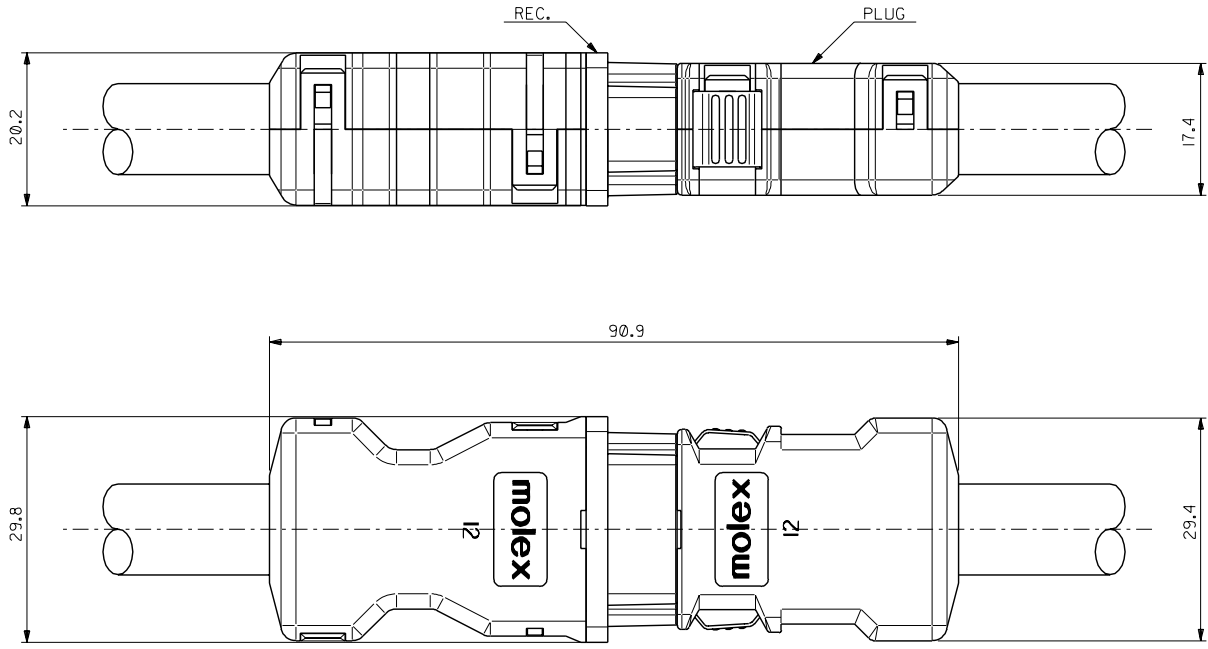
断面図
CROSS-SECTION VIEW OF MATED CONNECTOR

DO NOT SCALE DRAWING

EC NO. DRWN: CHK: APPR:	EC NO. DRWN: CHK: APPR:	EC NO. DRWN: CHK: APPR:	REVISED 01/10/04	MATERIAL 材料	GENERAL TOLERANCES: (UNLESS SPECIFIED) 一般公差	SCALE 2-1	DESIGN UNITS mm <input checked="" type="checkbox"/> inch <input type="checkbox"/>	THIRD ANGLE PROJECTION <input checked="" type="checkbox"/>	DIMENSIONS:		SHT	REV
			EC NO. J2002-0786 DRWN: SAKIYAMA CHK: MIYAZAWA APPR: YOSHIO						FINISH 仕上げ	mm <input type="checkbox"/> inch <input type="checkbox"/>	mm <input checked="" type="checkbox"/> only	REVISION CAD ONLY
A	0	0	RELEASED 01/02/16 EC NO. JD2001-1040 DRWN: SAKIYAMA CHK: MIYAZAWA APPR: HIKESUGI	SEE NOTES	10 UNDER 未滿 ±0.2	DRAWN BY & DATE S. Okigawa 01/25	TITLE: COMPACT ROBOT CONN. (CRC) REC. PIN HSG ASS'Y		MOLEX INCORPORATED		SHEET NO. 2 OF 4	SIZE B
8	7	6	WIRE RANGE 適用電線範囲	INS. RANGE 被覆外径	ANGLE 角度 ±3°	CAD FILE NAME 51233007.S02	MATERIAL NO. SEE CHART	DRAWING NO. SD-51233-007	THIS DRAWING CONTAINS INFORMATION THAT IS PROPRIETARY TO MOLEX INCORPORATED AND SHOULD NOT BE USED WITHOUT WRITTEN PERMISSION.		EN-02J(097) MXJ-54	

51233007.S02

DWG. NO. SD-51233-007

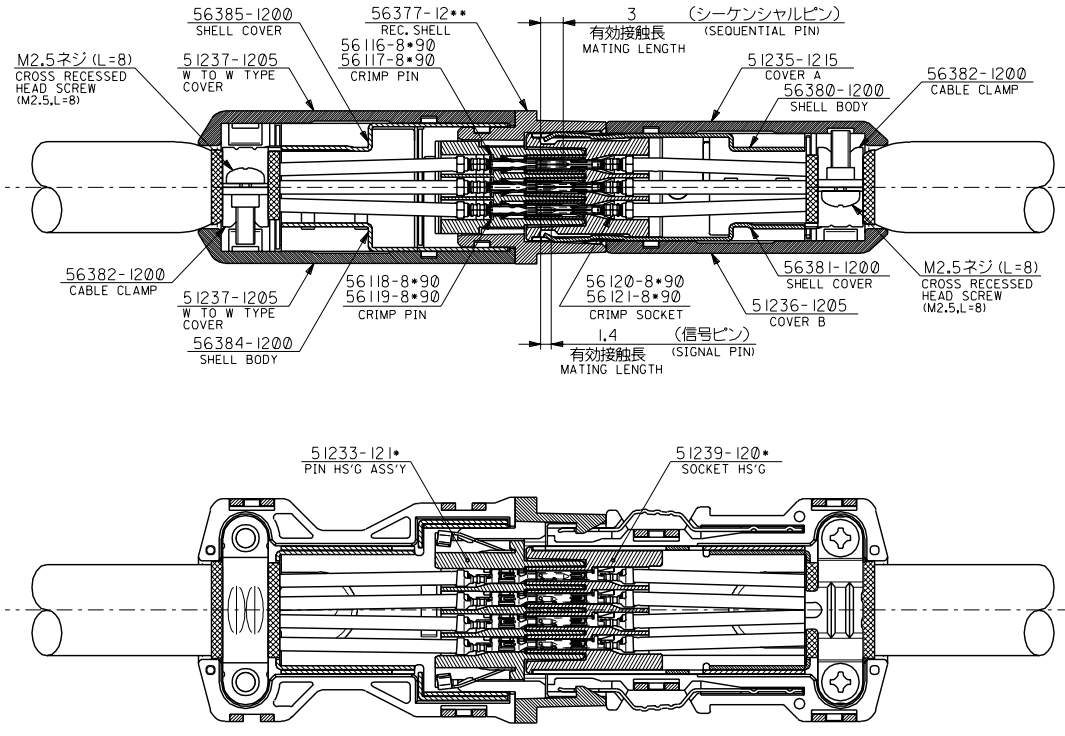


嵌合図 (中継タイプ)

CROSS-SECTION VIEW OF MATED CONNECTOR (WIRE TO WIRE TYPE)

DO NOT SCALE DRAWING		EC NO. DRWN: CHK: APPR:		EC NO. DRWN: CHK: APPR:		EC NO. DRWN: CHK: APPR:		REVISED 01/10/04 EC NO. J2002-0786 DRWN: SAKIYAMA CHK: MIYAZAWA APPR: YUJITO		RELEASED 01/02/16 EC NO. JD2001-1040 DRWN: SAKIYAMA CHK: MIYAZAWA APPR: HIKESUGI		MATERIAL 材料 注記参照 SEE NOTES		GENERAL TOLERANCES (UNLESS SPECIFIED) 一般公差		SCALE 2-1		DESIGN UNITS 2mm 1/16 INCH		THIRD ANGLE PROJECTION		DIMENSIONS: 1mm 1/16 INCH 0.1mm ONLY		SHT REV					
8		7		6		5		4		3		2		1		TITLE: COMPACT ROBOT CONN. (CRC) REC. PIN HS'G ASS'Y		DRAWN BY & DATE S. Sakigawa 01/25		CHECKED BY & DATE		APPROVED BY & DATE		MATERIAL NO. SEE CHART		DRAWING NO. SD-51233-007		SHEET NO. 3 OF 4	
FINISH 仕上げ		WIRE RANGE 適用電線範囲		INS. RANGE 被覆外径		ANGLE 角度		CAD FILENAME 51233007.S03		THIS DRAWING CONTAINS INFORMATION THAT IS PROPRIETARY TO MOLEX INCORPORATED AND SHOULD NOT BE USED WITHOUT WRITTEN PERMISSION.		MOLEX INCORPORATED		EN-02J(097) MXJ-54		SIZE B		51233007.S03											

DWG. NO. SD-51233-007



嵌合図 (中継タイプ)
CROSS-SECTION VIEW OF MATED CONNECTOR
(WIRE TO WIRE TYPE)

DO NOT SCALE DRAWING		EC NO. DRWN: CHK: APPR:		EC NO. DRWN: CHK: APPR:		EC NO. DRWN: CHK: APPR:		REVISED 01/10/04 EC NO. J2002-0786 DRWN: SAKIYAMA CHK: JIMYAZAWA APPR: YOHIO		RELEASED 01/02/16 EC NO. JD2001-1040 DRWN: SAKIYAMA CHK: JIMYAZAWA APPR: HIKESUGI		MATERIAL 材料		GENERAL TOLERANCES: (UNLESS SPECIFIED) 一般公差		SCALE 2-1		DESIGN UNITS <input checked="" type="checkbox"/> MM <input type="checkbox"/> INCH		THIRD ANGLE PROJECTION		DIMENSIONS: <input type="checkbox"/> MM <input type="checkbox"/> INCH <input checked="" type="checkbox"/> MM ONLY		SHT REV	
								A		0		注記参照 SEE NOTES		10 UNDER 未満		±0.2		DRAWN BY & DATE S. Akigawa 01/25		TITLE: COMPACT ROBOT CONN. (CRC) REC. PIN HSG ASS'Y		MATERIAL NO. SEE CHART		SHEET NO. 4 OF 4	
												FINISH 仕上げ		10 OVER 30 UNDER 以上 未満		±0.25		CHECKED BY & DATE S. Akigawa 01/25		MOLEX INCORPORATED		DRAWING NO. SD-51233-007		SIZE B	
												WIRE RANGE 適用電線範囲		30 OVER 以上		±0.3		APPROVED BY & DATE S. Akigawa		MATERIAL NO. SEE CHART		SD-51233-007		EN-02J(097) MXJ-54	
												INS. RANGE 挿線外径		ANGLE 角度		±3°		CAD FILE NAME 51233007.S04		THIS DRAWING CONTAINS INFORMATION THAT IS PROPRIETARY TO MOLEX INCORPORATED AND SHOULD NOT BE USED WITHOUT WRITTEN PERMISSION.					

F
E
D
C
B
A