

## **Excellent Integrated System Limited**

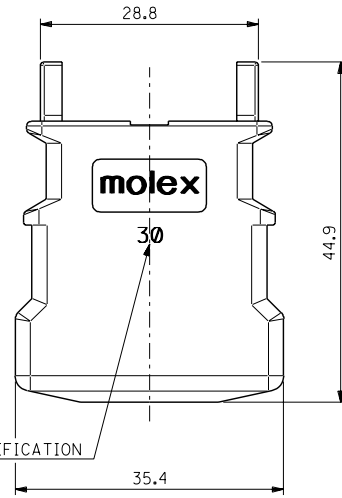
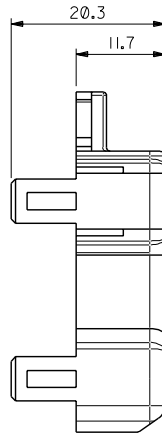
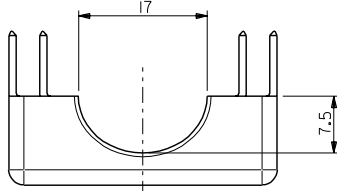
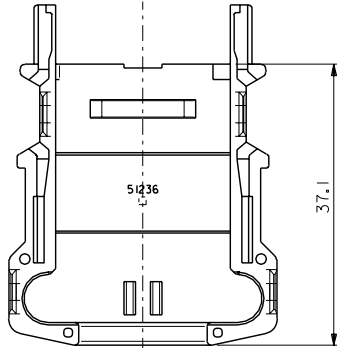
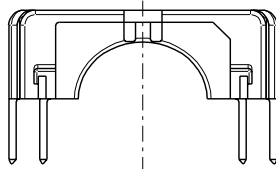
Stocking Distributor

Click to view price, real time Inventory, Delivery & Lifecycle Information:

[Molex Connector Corporation](#)  
[0512363005](#)

For any questions, you can email us directly:

[sales@integrated-circuit.com](mailto:sales@integrated-circuit.com)



SIZE IDENTIFICATION

注記  
NOTES

- 材質  
MATERIAL  
ガラス入りポリカーボネイト樹脂 UL 94V-0 色: グレー  
POLYCARBONATE G.F. UL94V-0 COLOR: GRAY
- 適用プラグモールドカバー A : 51235-3015  
APPLICABLE PLUG MOLD COVER A : 51235-3015

51236-3005	51236-***05
MATERIAL.NO	MODEL.NO
DIMENSIONS: <input type="checkbox"/> mm <input type="checkbox"/> INCH <input checked="" type="checkbox"/> mm ONLY	
SHT	REV
REVISE ON CAD ONLY	

DO NOT SCALE DRAWING

EC NO. DRWN: CHK: APPR:	EC NO. DRWN: CHK: APPR:	EC NO. DRWN: CHK: APPR:	REVISED 01/10/24 EC NO.: J2002-0999 DRWN: K.SAKAMOTO CHK: J.MIYAZAWA APPR: YOHIO	REVISED 01/02/16 EC NO.: JD2001-1040 DRWN: S.SAKIYAMA CHK: J.MIYAZAWA APPR: H.IKESUGI	MATERIAL 材料 注記参照 SEE NOTES
8	7	6	A	0	
FINISH 仕上げ	WIRE RANGE 適用電線範囲	JNS. RANGE 接線外径			

GENERAL TOLERANCES: (UNLESS SPECIFIED) 一般公差	SCALE 2-1	DESIGN UNITS <input checked="" type="checkbox"/> mm <input type="checkbox"/> INCH	THIRD ANGLE PROJECTION	TITLE: COMPACT ROBOT CONN. (CRC) PLUG MOLD COVER B
10 UNDER 未満	±0.2	DRAWN BY & DATE S. Ukiyama 01/25	<input type="checkbox"/> mm <input type="checkbox"/> INCH <input checked="" type="checkbox"/> mm ONLY	MOLEX INCORPORATED
10 OVER 以上	±0.25	CHECKED BY & DATE S. Ukiyama 01/25		
30 OVER 以上	±0.3	APPROVED BY & DATE S. Ukiyama 01/25		
ANGLE 角度	±3°	CAD FILE NAME 51236006.S01	MATERIAL NO. SEE CHART	DRAWING NO. SD-51236-006
		THIS DRAWING CONTAINS INFORMATION THAT IS PROPRIETARY TO MOLEX INCORPORATED AND SHOULD NOT BE USED WITHOUT WRITTEN PERMISSION.		
				SHEET NO. 1 OF 1
				SIZE B