

Excellent Integrated System Limited

Stocking Distributor

Click to view price, real time Inventory, Delivery & Lifecycle Information:

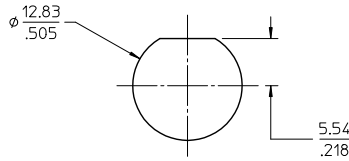
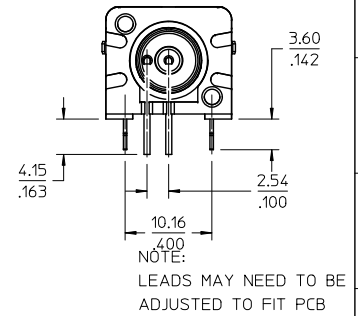
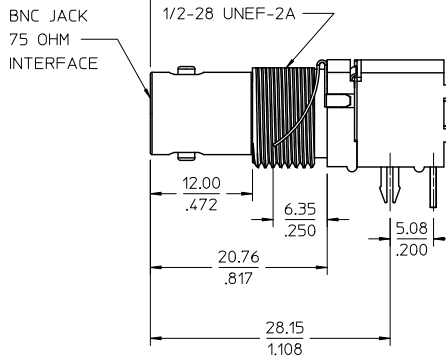
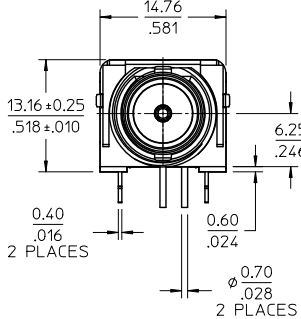
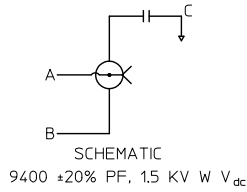
[Molex Connector Corporation](#)
[0731010070](#)

For any questions, you can email us directly:

sales@integrated-circuit.com

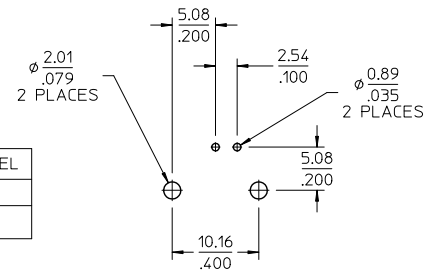
MATERIALS AND FINISHES

- BODY ZINC ALLOY
PLATED NICKEL
- CENTER CONTACT PHOSPHOR BRONZE
PLATED GOLD
- INSULATOR POLYPROPYLENE(94V2)
- BOARD LOCK PHOSPHOR BRONZE
PLATED TIN
- SOLDER TAIL COPPER OVER STEEL
PLATED TIN



RECOMMENDED MOUNTING HOLE
PANEL THICKNESS: 5.40(.216) MAX
RECOMMENDED MOUNTING TORQUE:
1.36 N-m(12 INCH LBS) MAX

| | |
|------------|--|
| 73171-4320 | QTY (1) OF 73101-0070 IN SINGLE BAG WITH LABEL |
| 73101-0070 | BULK |
| PART NO. | PACKAGING |



| | |
|---------------|-----------------------|
| PS-89675-1030 | PRODUCT SPECIFICATION |
| SPECIFICATION | DESCRIPTION |

ORIGINAL DRAWN BY IRIS 1996/04/23
RELEASED TO PRODUCTION ON 1996/08/30

| | | | | | | | | | |
|---|---|-------------------------------|---------------------------------------|------|----------------------|------------------|---|--------------|------------------------|
| CHG: CREATE IN SD. ADD: 73171-4320 | EC NO: DRAWN BY: BOMALLEY 2012/01/27 CHKD BY: CHKORAR 2012/01/27 APPR: WIENER 2012/02/06 | QUALITY SYMBOLS ▽=0 ▽=0 | GENERAL TOLERANCES (UNLESS SPECIFIED) | | DIMENSION STYLE | | SCALE | DESIGN UNITS | THIRD ANGLE PROJECTION |
| | | | mm | INCH | MM/IN | METRIC | | | |
| B1 | REV | DESCRIPTION | 4 PLACES ± | ± | DRAWN BY: BOMALLEY | DATE: 2012/01/27 | TITLE BNC JACK, RA PCB 75 OHMS WITH FILTER BNC J-PCB | | |
| | | | 3 PLACES ± | ± | CHECKED BY: AZR | DATE: 2012/01/27 | | | |
| | | | 2 PLACES ± | ± | APPROVED BY: JWIENER | DATE: 2012/02/06 | MOLEX INCORPORATED | | |
| | | | 1 PLACE ± | ± | MATERIAL NO. | DOCUMENT NO. | | | |
| DRAFT WHERE APPLICABLE MUST REMAIN WITHIN DIMENSIONS | | | SEE TABLE | | SD-73101-0070 | | 1 OF 1 | | |
| THIS DRAWING CONTAINS INFORMATION THAT IS PROPRIETARY TO MOLEX INCORPORATED AND SHOULD NOT BE USED WITHOUT WRITTEN PERMISSION | | | | | | | | | |