

## Excellent Integrated System Limited

Stocking Distributor

Click to view price, real time Inventory, Delivery & Lifecycle Information:

[Molex Connector Corporation](#)  
[0731710440](#)

For any questions, you can email us directly:

[sales@integrated-circuit.com](mailto:sales@integrated-circuit.com)

MATERIALS AND FINISHES

BODY: ZINC ALLOY  
PLATED NICKEL

CENTER CONTACT: PHOSPHOR BRONZE  
PLATED GOLD

INSULATOR: POLYPROPYLENE (94 V-2)

HOUSING: VALOX 420-SEO  
COLOR BLACK

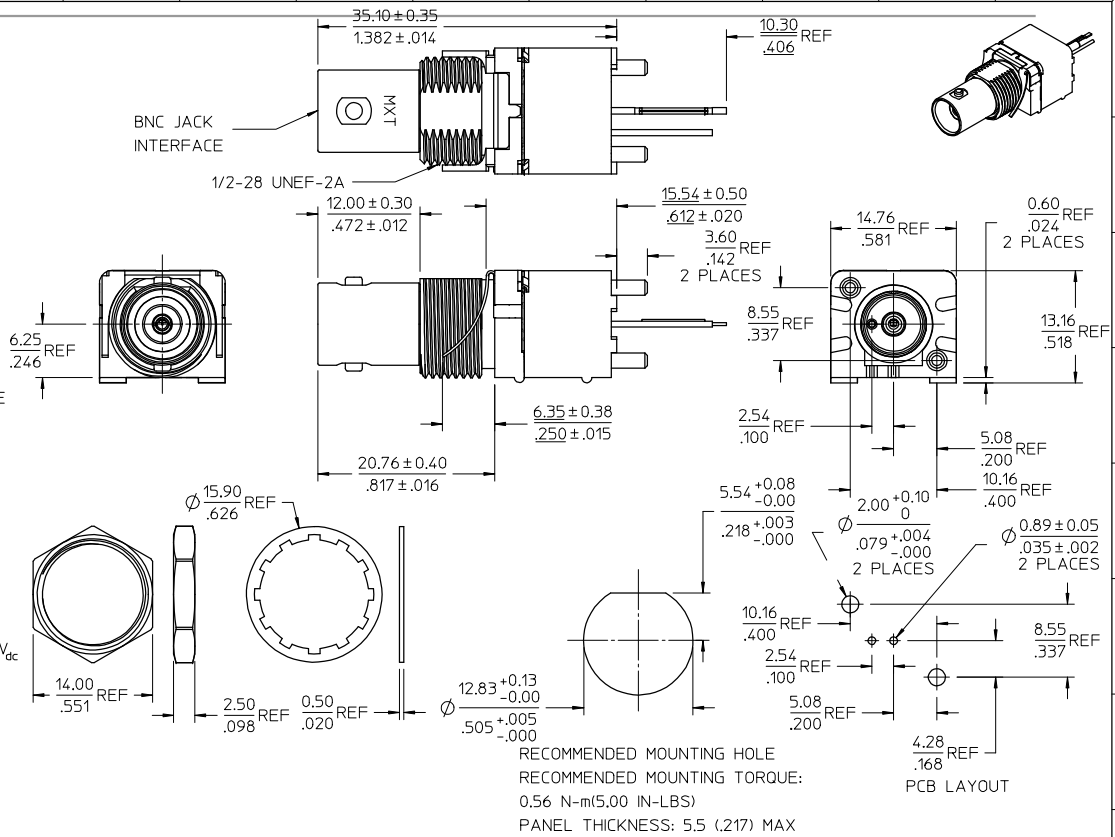
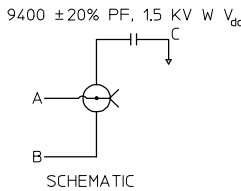
SOLDER TAIL: COPPER OVER STEEL WIRE  
PLATED TIN

FRONT CLIP, LOCK WASHER: PHOSPHOR BRONZE  
PLATED NICKEL

CHIP CAPACITOR: MULTILAYER CERAMIC

MOUNTING POST: BRASS  
PLATED TIN

JAM NUT: BRASS  
PLATED NICKEL



ES-73599-0000	INTERFACE
PS-89675-1050	ELEC/MECH PERFORMANCE
SPECIFICATION	DESCRIPTION

73171-0441	73171-0440, ONE PER BAG
73171-0440	TRAY
PART NO.	PACKAGING

CHG: RELEASE DRAWING, REDREW IN SD AND LOADED INTO WM. EC NO: URF2008-0537 DRAWN BY: ZHANGROBERTSON 2008/04/17 CHKD BY: CHKOSISS 2008/04/17 APPR: JMEINER 2008/04/17	QUALITY SYMBOLS ▽=0 ▽=0	GENERAL TOLERANCES (UNLESS SPECIFIED)		DIMENSION STYLE		SCALE	DESIGN UNITS	THIRD ANGLE PROJECTION
		mm	INCH	MM/IN	DATE			
REV	4 PLACES ±	---	---	DRAWN BY	1998/04/28	MOLEX INCORPORATED	SD-73171-044	SHEET NO. 1 OF 1
	3 PLACES ±	---	---	CHECKED BY	DATE			
	2 PLACES ±	---	---	DHG	1998/04/28			
	1 PLACE ±	---	---	APPROVED BY	DATE			
		ANGULAR ± 2 °		GMH	1998/04/28			
		DRAFT WHERE APPLICABLE MUST REMAIN WITHIN DIMENSIONS		SEE TABLE		THIS DRAWING CONTAINS INFORMATION THAT IS PROPRIETARY TO MOLEX INCORPORATED AND SHOULD NOT BE USED WITHOUT WRITTEN PERMISSION		