

Excellent Integrated System Limited

Stocking Distributor

Click to view price, real time Inventory, Delivery & Lifecycle Information:

[Molex Connector Corporation](#)
[0731711290](#)

For any questions, you can email us directly:
sales@integrated-circuit.com

MATERIALS AND FINISHES

BODY BRASS
PLATED NICKEL

CENTER CONTACT BRASS
PLATED GOLD

OUTER CONTACT BRASS
PLATED NICKEL

CRIMP TUBE BRASS
PLATED TIN

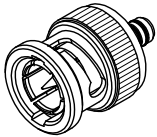
COUPLING NUT ZINC
PLATED NICKEL

WASHER BRASS
PLATED NICKEL

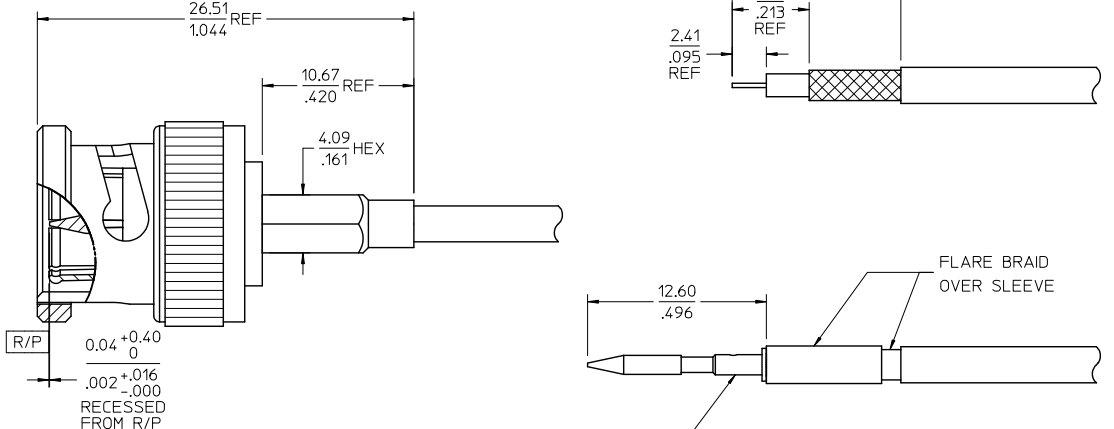
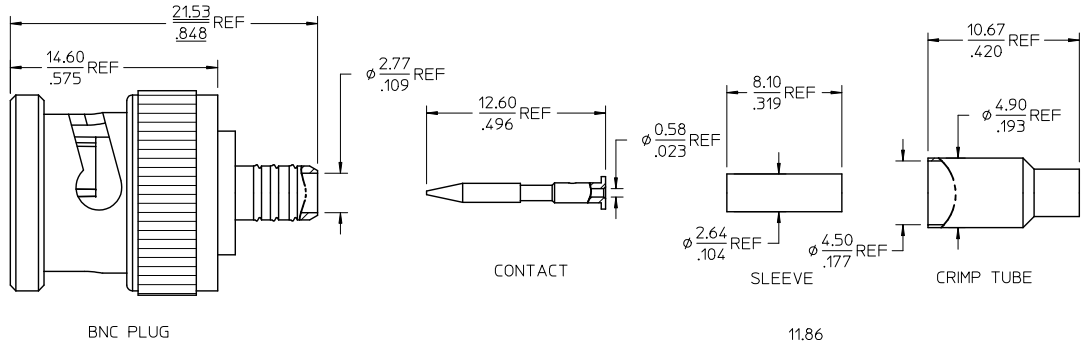
SPRING WASHER BeCu
PLATED NICKEL

GASKET SILICONE RUBBER

INSULATOR, SLEEVE TEFLON



PART # 73171-1290



CONTACT MAY BE SOLDERED OR CRIMPED USING 8 INDENT CRIMP TOOL SET TO .73 (.029) (ASTRO TOOL NUMBER 612118 OR EQUIVALENT TOOL)

PS-89675-2020	PRODUCT SPECIFICATION
SPECIFICATION	DESCRIPTION

CHG: ADDED TOLERANCE TO CONTACT ASSY. EC NO: URF2010-0181 DRAWN: ROBERTSON 2009/09/24 CHKD: SSS 2009/09/24 APPR: JETNER 2009/09/24 DESCRIPTION B1	QUALITY SYMBOLS	GENERAL TOLERANCES (UNLESS SPECIFIED)	DIMENSION STYLE	SCALE	DESIGN UNITS	THIRD ANGLE PROJECTION
	▽=0 ▽=0	mm INCH 4 PLACES ± --- ± --- 3 PLACES ± --- ± --- 2 PLACES ± --- ± --- 1 PLACE ± --- ± --- ANGULAR ± 2 °	MM/IN	METRIC	BNC PLUG, STR, 75 OHMS RG-179 EWR-1125 BNC-PC	MOLEX INCORPORATED SD-73171-129
	DRAFT WHERE APPLICABLE MUST REMAIN WITHIN DIMENSIONS	DRAWN BY: LMB 2000/08/22 CHECKED BY: GMH 2000/08/22 APPROVED BY: GMH 2000/08/22	MATERIAL NO.	DOCUMENT NO.	SHEET NO.	
		731711290	SD-73171-129	1 OF 1		