

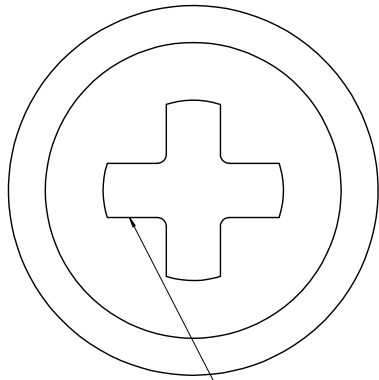
Excellent Integrated System Limited

Stocking Distributor

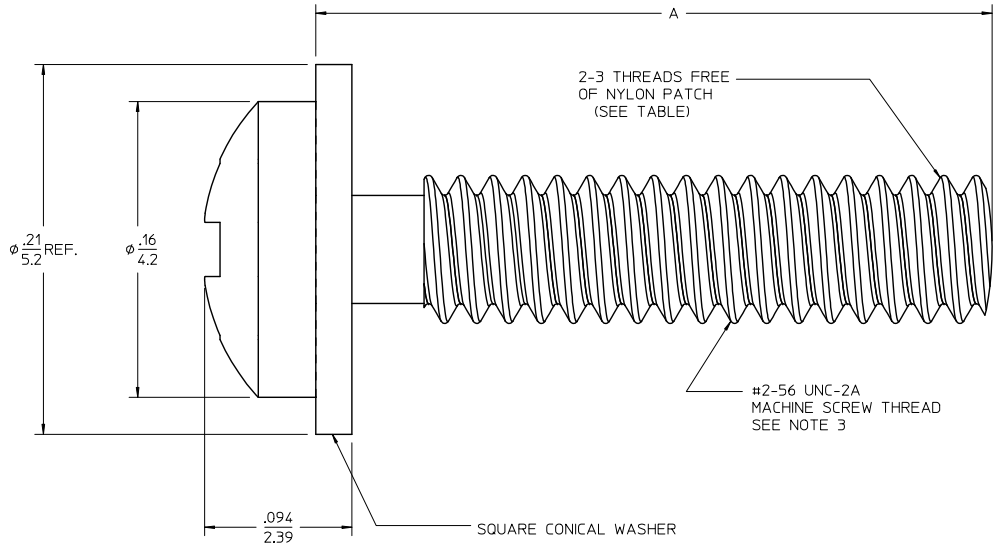
Click to view price, real time Inventory, Delivery & Lifecycle Information:

[Molex Connector Corporation](#)
[0737741000](#)

For any questions, you can email us directly:
sales@integrated-circuit.com



CROSS RECESSED PAN HEAD



PART NUMBER	A ±.020/0.51	NYLON PATCH
73774-1000	.375/9.53	NO
73774-1100	.375/9.53	YES
73774-1005	.500/12.70	NO
73774-1010	.625/15.88	NO
73774-1015	.250/6.35	NO

- NOTES:
 1. MATERIAL: SCREW: SAE 1022
 WASHER: SAE 1050
 2. FINISH: CLEAR TRIVALENT CHROMATE
 3. PLATING: 100 TO 300 MICROINCHES/2.54 TO 7.62 MICROMETERS ZINC PLATE
 4. SEE CONNECTOR PRODUCT SPECIFICATION FOR RECOMMENDED TORQUE REQUIREMENTS.

REVISE NOTE 4 EC NO: UCP2016-3925 DRAWN BY: DRWNSWANGUI CHKD BY: MWOLFE APPR: SMILLER DATE: 2016/04/07 DATE: 2016/04/07 DATE: 2016/04/21	QUALITY SYMBOLS	GENERAL TOLERANCES (UNLESS SPECIFIED)	DIMENSION STYLE IN/MM	SCALE 25:1	DESIGN UNITS INCH	THIRD ANGLE PROJECTION
	▽=0	4 PLACES ± --- ± ---	DRAWN BY: MWOLFE DATE: 2012/03/09	TITLE: #2-56 SQUARE CONICAL SEMS MACHINE SCREW		SHEET NO. 1 OF 1
	▽=0	3 PLACES ± --- ± .005	CHECKED BY: SDANNELLEY DATE: 2012/03/09	MATERIAL NO. SEE TABLE DOCUMENT NO. SD-73774-003		
	▽=0	2 PLACES ± 0.13 ± .010	APPROVED BY: SMILLER DATE: 2012/03/12			
▽=0	1 PLACE ± 0.25 ± ---	0 PLACE ± ±	ANGULAR ± 1/2°			
REV		DRAFT WHERE APPLICABLE MUST REMAIN WITHIN DIMENSIONS	SIZE C	THIS DRAWING CONTAINS INFORMATION THAT IS PROPRIETARY TO MOLEX INCORPORATED AND SHOULD NOT BE USED WITHOUT WRITTEN PERMISSION		