



Distributor of Molex Connector Corporation: Excellent Integrated System Limited
Datasheet of 0901481103 - Connector Receptacle 3 Position 0.100" (2.54mm) Tin Through
Hole, Right Angle

Contact us: sales@integrated-circuit.com Website: www.integrated-circuit.com

Excellent Integrated System Limited

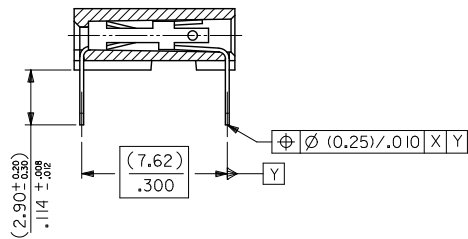
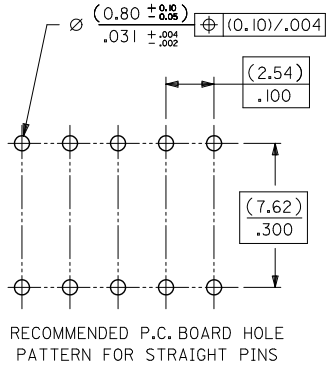
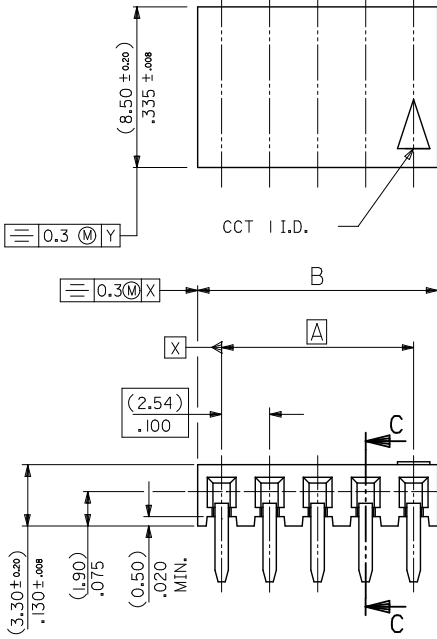
Stocking Distributor

Click to view price, real time Inventory, Delivery & Lifecycle Information:

[Molex Connector Corporation](#)
[0901481103](#)

For any questions, you can email us directly:
sales@integrated-circuit.com

Contact us: sales@integrated-circuit.com Website: www.integrated-circuit.com



SECTION C-C SHOWING STRAIGHT PINS

NOTES

- 1) CONTACT-PLATED PHOSPHOR BRONZE. (SEE SHEET 2)
- 2) HOUSING POLYESTER (PBT), 15% GLASS FILL, UL94-V0. COLOR: BLACK. ALSO POLYAMIDE (PA4/6), 30% GLASS FILL, UL94-V0. COLOR: NATURAL.
- 3) FOR (0.635) / .025 SQ. MALE PINS THE LENGTH MUST BE (5.65) / .222 MIN & (7.00) / .276 MAX. TO ENSURE GOOD CONNECTION WITH CONTACT.
- 4) PRODUCT SPECIFICATION: PS-99020-0001
- 5) PCB THICKNESS 1.6MM

UPDATE TOLSYMMETRY EC NO: S2010-0968 2010/05/26 DRAWNSKANG CHK:CAT SEE 2010/06/04 APPR:MLONG 2010/06/05	QUALITY SYMBOLS √=0 √=0 √=0	GENERAL TOLERANCES (UNLESS SPECIFIED)		DIMENSION STYLE MM ONLY		SCALE NTS	DESIGN UNITS METRIC	THIRD ANGLE PROJECTION	
		4 PLACES ± --- ± ---	3 PLACES ± --- ± ---	2 PLACES ± 0.15 ± ---	1 PLACE ± --- ± ---	ANGULAR ± 2 °	DRAWN BY DB	DATE 1987/07/14	TITLE C-GRID III SINGLE ROW HORIZONTAL P.C BOARD CONN.
AK	REV	DRAFT WHERE APPLICABLE MUST REMAIN WITHIN DIMENSIONS		SEE TABLE		MATERIAL NO. J.DENNEHY 2010/06/04		DOCUMENT NO. SDA-90148	
				SIZE A 3		THIS DRAWING CONTAINS INFORMATION THAT IS PROPRIETARY TO MOLEX INCORPORATED AND SHOULD NOT BE USED WITHOUT WRITTEN PERMISSION			

Contact us: sales@integrated-circuit.com Website: www.integrated-circuit.com

PART NO's - STRAIGHT PINS		PART NO.	NO OF CKTS.	DIM. A		DIM. B ^(±.030) _(±.02)		NO. PER TUBE
STANDARD	CUSTOMER SPECIFIC							
90148-1X02		90148-4X02	2	(2.54)	.100	(5.08)	.200	105
↑ 03	↑	↑ 03	3	(5.08)	.200	(7.62)	.300	72
↑ 04	↑	↑ 04	4	(7.62)	.300	(10.16)	.400	52
↑ 05	↑	↑ 05	5	(10.16)	.400	(12.70)	.500	44
↑ 06	90148-9X06	↑ 06	6	(12.70)	.500	(15.24)	.600	36
↑ 07	↑	↑ 07	7	(15.24)	.600	(17.78)	.700	30
↑ 08	↑	↑ 08	8	(17.78)	.700	(20.32)	.800	26
↑ 09	↑	↑ 09	9	(20.32)	.800	(22.86)	.900	24
↑ 10	↑	↑ 10	10	(22.86)	.900	(25.40)	1.000	22
↑ 11	↑	↑ 11	11	(25.40)	1.000	(27.94)	1.100	18
↑ 12	↑	↑ 12	12	(27.94)	1.100	(30.48)	1.200	18
↑ 13	↑	↑ 13	13					16
↑ 14	↑	↑ 14	14	(33.02)	1.300	(35.56)	1.400	14
↑ 15	↑	↑ 15	15	(35.56)	1.400	(38.10)	1.500	14
↑ 16	↑	↑ 16	16					13
↑ 17	↑	↑ 17	17					12
↑ 18	↑	↑ 18	18	(43.18)	1.700	(45.72)	1.800	12
↑ 19	↑	↑ 19	19	(45.72)	1.800	(48.26)	1.900	12
↑ 20	↑	↑ 20	20	(48.26)	1.900	(50.80)	2.000	11
↑ 21	↑	↑ 21	21					10
↑ 22	↑	↑ 22	22					10
↑ 23	↑	↑ 23	23					10
↑ 24	↑	↑ 24	24					9
↑ 25	↑	↑ 25	25	(60.96)	2.400	(63.50)	2.500	8
↑ 26	↑	↑ 26	26	(63.50)	2.500	(66.04)	2.600	8
↑ 27	↑	↑ 27	27					8
↑ 28	↑	↑ 28	28					7
↑ 29	↑	↑ 29	29					7
↑ 30	↑	↑ 30	30	(73.66)	2.900	(76.20)	3.000	7
↑ 31	↑	↑ 31	31					7
90148-1X32		90148-4X32	32	(78.74)	3.100	(81.28)	3.200	6

PLATING VERSION A

PRE-PLATED HOT DIP TIN
 1.0 TO 2.5 microns (.00004" TO .00010").

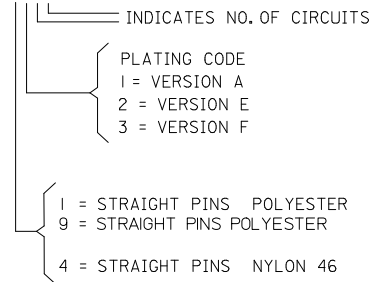
PLATING VERSION E

1.27 TO 1.78 microns (.00005" TO .00007") NICKEL
 OVERALL, 0.38 TO 0.64 microns (.000015" TO .000025")
 GOLD ON CONTACT AREA (OVER NICKEL),
 3 TO 5 microns (.00012" TO .00020") TIN
 ON SOLDER TAILS (OVER NICKEL).

PLATING VERSION F

1.27 TO 1.78 microns (.00005" TO .00007") NICKEL
 OVERALL, 0.76 TO 1.0 microns (.00003" TO .00004")
 GOLD ON CONTACT AREA (OVER NICKEL),
 3 TO 5 microns (.00012" TO .00020") TIN
 ON SOLDER TAILS (OVER NICKEL).

90148-XXYY



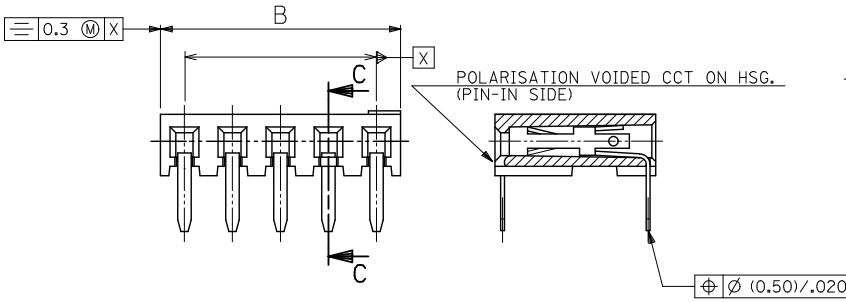
UPDATE TOL. SYMMETRY EC. NO. S2010-0968 DRAWN: SKANG 2010/05/26 CHK: DATSEE 2010/06/04 APPR: HLONG 2010/06/05 AK	QUALITY SYMBOLS	GENERAL TOLERANCES (UNLESS SPECIFIED)	DIMENSION STYLE	SCALE	DESIGN UNITS	THIRD ANGLE PROJECTION															
	$\sqrt{\text{V}}=0$ $\sqrt{\text{E}}=0$ $\sqrt{\text{A}}=0$	<table border="1"> <tr> <th></th> <th>mm</th> <th>INCH</th> </tr> <tr> <td>4 PLACES</td> <td>± ---</td> <td>± ---</td> </tr> <tr> <td>3 PLACES</td> <td>± ---</td> <td>± ---</td> </tr> <tr> <td>2 PLACES</td> <td>± 0.15</td> <td>± ---</td> </tr> <tr> <td>1 PLACE</td> <td>± ---</td> <td>± ---</td> </tr> </table>		mm	INCH	4 PLACES	± ---	± ---	3 PLACES	± ---	± ---	2 PLACES	± 0.15	± ---	1 PLACE	± ---	± ---	MM ONLY	NTS	METRIC	
		mm	INCH																		
	4 PLACES	± ---	± ---																		
3 PLACES	± ---	± ---																			
2 PLACES	± 0.15	± ---																			
1 PLACE	± ---	± ---																			
DESCRIPTION	DRAFT WHERE APPLICABLE MUST REMAIN WITHIN DIMENSIONS	DRAWN BY: DB CHECKED BY: D. MORIARTY APPROVED BY: J. DENNEHY DATE: 2010/06/04	DATE: 1987/07/14 DATE: 2005/03/02 DATE: 2010/06/04	TITLE		C-GRID III SINGLE ROW HORIZONTAL P.C BOARD CONN. MOLEX INCORPORATED															
REV			MATERIAL NO.	DOCUMENT NO.	SHEET NO.																
			SEE TABLE	SDA-90148	2 OF 3																
			THIS DRAWING CONTAINS INFORMATION THAT IS PROPRIETARY TO MOLEX INCORPORATED AND SHOULD NOT BE USED WITHOUT WRITTEN PERMISSION																		

Contact us: sales@integrated-circuit.com Website: www.integrated-circuit.com

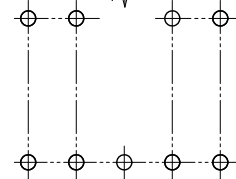
PART NO.	POLARISED CCT NO.	NO. OF CKTS.	DIM. A	DIM. B	$\begin{matrix} \pm 0.30 \\ +0 \\ -0.12 \end{matrix}$	NO. PER TUBE
90148-3X01	2	3	(5.08) .200	(7.62) .300		72

NON-STANDARD PRODUCTS

90148-XXYY
 OPTION NUMBER (NOT RELATING TO CCT SIZE OR OTHERWISE)
 PLATING CODE (SEE SHEET 2)
 3 = STRAIGHT PINS POLYESTER, POLARISED



POLARISATION VOIDED CCT ON P.C.B. (PIN-IN SIDE)
 PIN INSERTION TO HOUSING FROM THIS SIDE



SECTION C-C SHOWING POLARISED CCT

RECOMMENDED P.C. BOARD HOLE PATTERN FOR STRAIGHT PINS WITH POLARISATION

NOTES

- SEE SHEET 1 FOR ALL UNSPECIFIED DIMENSIONS AND NOTES.
- PARTS NOT STACKABLE.

REV	DESCRIPTION	QUALITY SYMBOLS	GENERAL TOLERANCES (UNLESS SPECIFIED)		DIMENSION STYLE		SCALE	DESIGN UNITS	THIRD ANGLE PROJECTION
			mm	INCH	MM ONLY	DATE			
AK	UPDATE TOL-SYMMETRY EC NO: S2010-0968 DRW:SKANG CHKD:ATSEE APPR:MLONG	$\nabla \sqrt{0}$ $\nabla \sqrt{0}$ $\nabla \sqrt{0}$	4 PLACES	\pm ---	\pm ---	DRAWN BY DB	DATE 1987/07/14	TITLE C-GRID III SINGLE ROW HORIZONTAL P.C BOARD CONN.	MOLEX INCORPORATED
			3 PLACES	\pm ---	\pm ---	CHECKED BY D.MORIARTY	DATE 2005/03/02		
			2 PLACES	± 0.15	\pm ---	APPROVED BY J.DENNEHY	DATE 2010/06/04		
			1 PLACE	\pm ---	\pm ---	MATERIAL NO. SEE TABLE	DOCUMENT NO. SDA-90148		SHEET NO. 3 OF 3
			DRAFT WHERE APPLICABLE MUST REMAIN WITHIN DIMENSIONS		SIZE A3		THIS DRAWING CONTAINS INFORMATION THAT IS PROPRIETARY TO MOLEX INCORPORATED AND SHOULD NOT BE USED WITHOUT WRITTEN PERMISSION		

Contact us: sales@integrated-circuit.com Website: www.integrated-circuit.com

PART NO's - STRAIGHT PINS		PART NO.	NO OF CKTS.	DIM. A		DIM. B $\left(\begin{smallmatrix} +.010 \\ -.002 \end{smallmatrix}\right)$		NO. PER TUBE
STANDARD	CUSTOMER SPECIFIC							
90148-1X02		90148-4X02	2	(2.54)	.100	(5.08)	.200	105
	03		3	(5.08)	.200	(7.62)	.300	72
	04		4	(7.62)	.300	(10.16)	.400	52
	05		5	(10.16)	.400	(12.70)	.500	44
	06	90148-9X06	6	(12.70)	.500	(15.24)	.600	36
	07		7	(15.24)	.600	(17.78)	.700	30
	08		8	(17.78)	.700	(20.32)	.800	26
	09		9	(20.32)	.800	(22.86)	.900	24
	10		10	(22.86)	.900	(25.40)	1.000	22
	11		11	(25.40)	1.000	(27.94)	1.100	18
	12		12	(27.94)	1.100	(30.48)	1.200	18
	13		13					16
	14		14	(33.02)	1.300	(35.56)	1.400	14
	15		15	(35.56)	1.400	(38.10)	1.500	14
	16		16					13
	17		17					12
	18		18	(43.18)	1.700	(45.72)	1.800	12
	19		19	(45.72)	1.800	(48.26)	1.900	12
	20		20	(48.26)	1.900	(50.80)	2.000	11
	21		21					10
	22		22					10
	23		23					10
	24		24					9
	25		25	(60.96)	2.400	(63.50)	2.500	8
	26		26	(63.50)	2.500	(66.04)	2.600	8
	27		27					8
	28		28					7
	29		29					7
	30		30	(73.66)	2.900	(76.20)	3.000	7
	31		31					7
90148-1X32		90148-4X32	32	(78.74)	3.100	(81.28)	3.200	6

PLATING VERSION A

PRE-PLATED HOT DIP TIN
 1.0 TO 2.5 microns (.00004" TO .00010").

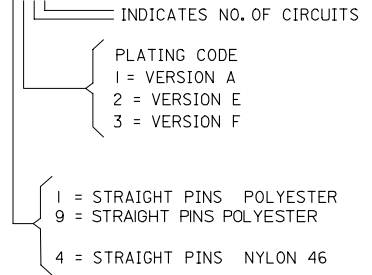
PLATING VERSION E

1.27 TO 1.78 microns (.00005" TO .00007") NICKEL
 OVERALL, 0.38 TO 0.64 microns (.000015" TO .000025")
 GOLD ON CONTACT AREA (OVER NICKEL).
 3 TO 5 microns (.00012" TO .00020") TIN
 ON SOLDER TAILS (OVER NICKEL).

PLATING VERSION F.

1.27 TO 1.78 microns (.00005" TO .00007") NICKEL
 OVERALL, 0.76 TO 1.0 microns (.00003" TO .00004")
 GOLD ON CONTACT AREA (OVER NICKEL).
 3 TO 5 microns (.00012" TO .00020") TIN
 ON SOLDER TAILS (OVER NICKEL).

90148-XXYY



ADD NEW P/N EC NO: E2007-0823 DRAWN BY: RINES CHKD: CHANDRAN APPROVED BY: CHANDRAN DATE: 2007/03/29 DATE: 2007/04/04	QUALITY SYMBOLS	GENERAL TOLERANCES (UNLESS SPECIFIED)	DIMENSION STYLE MM ONLY	SCALE ---	DESIGN UNITS METRIC	THIRD ANGLE PROJECTION
	$\nabla=0$ $\nabla=0$	4 PLACES ± --- ± --- 3 PLACES ± --- ± --- 2 PLACES ± --- ± --- 1 PLACE ± --- ± --- ANGULAR ± ---°	DRAWN BY: DB DATE: 1987/07/14 CHECKED BY: J. MORIARTY DATE: APPROVED BY: J. DENNEHY DATE:	TITLE		
	DRAFT WHERE APPLICABLE MUST REMAIN WITHIN DIMENSIONS	SEE CHART	MATERIAL NO.	DOCUMENT NO.	SHEET NO.	