

## Excellent Integrated System Limited

Stocking Distributor

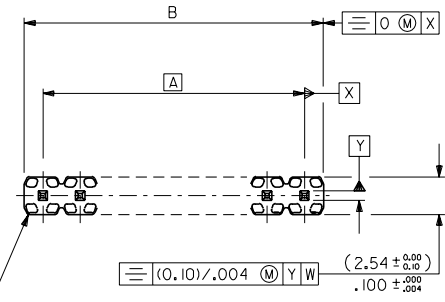
Click to view price, real time Inventory, Delivery & Lifecycle Information:

[Molex Connector Corporation](#)  
[0906270131](#)

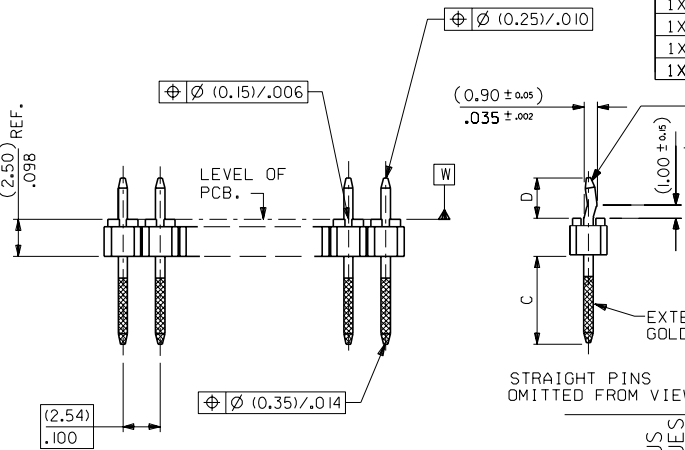
For any questions, you can email us directly:

[sales@integrated-circuit.com](mailto:sales@integrated-circuit.com)

PART NO. SEE CHART  
DWG. NO. SDA-90627

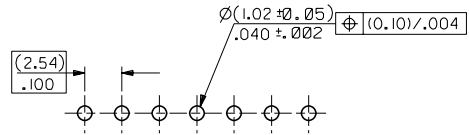


CKT SIZE	DIM. "A"		DIM. "B" (+0.20) ±.008		CKT SIZE	DIM. "A"		DIM. "B" (+0.20) ±.008	
1X 1			(2.54)	.100	1X21	(50.80)	2.000	(53.34)	2.100
1X 2	(2.54)	.100	(5.08)	.200	1X22	(53.34)	2.100	(55.88)	2.200
1X 3	(5.08)	.200	(7.62)	.300	1X23	(55.88)	2.200	(58.42)	2.300
1X 4	(7.62)	.300	(10.16)	.400	1X24	(58.42)	2.300	(60.96)	2.400
1X 5	(10.16)	.400	(12.70)	.500	1X25	(60.96)	2.400	(63.50)	2.500
1X 6	(12.70)	.500	(15.24)	.600	1X26	(63.50)	2.500	(66.04)	2.600
1X 7	(15.24)	.600	(17.78)	.700	1X27	(66.04)	2.600	(68.58)	2.700
1X 8	(17.78)	.700	(20.32)	.800	1X28	(68.58)	2.700	(71.12)	2.800
1X 9	(20.32)	.800	(22.86)	.900	1X29	(71.12)	2.800	(73.66)	2.900
1X10	(22.86)	.900	(25.40)	1.000	1X30	(73.66)	2.900	(76.20)	3.000
1X11	(25.40)	1.000	(27.94)	1.100	1X31	(76.20)	3.000	(78.74)	3.100
1X12	(27.94)	1.100	(30.48)	1.200	1X32	(78.74)	3.100	(81.28)	3.200
1X13	(30.48)	1.200	(33.02)	1.300	1X33	(81.28)	3.200	(83.82)	3.300
1X14	(33.02)	1.300	(35.56)	1.400	1X34	(83.82)	3.300	(86.36)	3.400
1X15	(35.56)	1.400	(38.10)	1.500	1X35	(86.36)	3.400	(88.90)	3.500
1X16	(38.10)	1.500	(40.64)	1.600	1X36	(88.90)	3.500	(91.44)	3.600
1X17	(40.64)	1.600	(43.18)	1.700	1X37	(91.44)	3.600	(93.98)	3.700
1X18	(43.18)	1.700	(45.72)	1.800	1X38	(93.98)	3.700	(96.52)	3.800
1X19	(45.72)	1.800	(48.26)	1.900	1X39	(96.52)	3.800	(99.06)	3.900
1X20	(48.26)	1.900	(50.80)	2.000	1X40	(99.06)	3.900	(101.60)	4.000



PINS: (0.635)/.025 SQ. BRASS WIRE. PLATED AS PER SUBSEQUENT SHEETS

NOTES  
1. FOR ASSY NUMBERS WITH FINISH OPTIONS AND DIM'S C & D SEE SUBSEQUENT SHEETS.  
2. PCB THICKNESS: (1.37-1.80)/.054-.071.



RECOMMENDED P.C. BOARD HOLE PATTERN

2	B
1	B
SH.	REV.

FOR PREVIOUS DRAWING ISSUES SEE MRI.

NEW RELEASE ECN 000166 10 SEPTEMBER 1990 RD

DIMENSIONS SHOWN (METRIC) INCH	
UNLESS OTHERWISE SPECIFIED TOLERANCES: ANGULAR ± 1°	
INCH (METRIC)	
3 PLACE ±	----
2 PLACE ±	.004 ± .10
1 PLACE ±	.25
DRAFT WHERE APPLICABLE MUST REMAIN WITHIN DIMENSIONS	
DESIGN DIMENSION (PRIMARY)	□ (MM) □ IN.
EQUIVALENT DIMENSION (SECONDARY)	□ (MM) □ IN.

DRWG BY RD  
CHK'D BY  
APP'D BY  
SCALE 4:1

REVISE ONLY ON CAD SYSTEM

CAD/CAM FILENAME: SDA90627X1 DGN

TITLE: C-GRID III SINGLE ROW KINKED PIN HEADER

MOLEX EUROPE

SHEET NO. DATE: 10F2 90/11/28

PART NO. SEE CHART DWG. NO. SDA-90627 SIZE B

	10	9	8	7	6	5	4	3	2	1																																																																																																																																																																																																													
F	<table border="1" style="width:100%; border-collapse: collapse;"> <thead> <tr> <th style="width: 10%;">CIRCUIT SIZE</th> <th style="width: 15%;">PLATING TYPE A PART NO.</th> <th style="width: 15%;">PLATING TYPE E PART NO.</th> <th style="width: 15%;">PLATING TYPE F PART NO.</th> <th style="width: 45%;">KINKED P1N POSITION</th> </tr> </thead> <tbody> <tr><td>1 X 1</td><td>90627-0121</td><td>90627-0761</td><td>90627-0921</td><td>橫</td></tr> <tr><td>1 X 2</td><td>90628-0121</td><td>90628-0761</td><td>90628-0921</td><td>SEE NOTE 1</td></tr> <tr><td>1 X 3</td><td>90627-0123</td><td>90627-0763</td><td>90627-0923</td><td>橫</td></tr> <tr><td>1 X 4</td><td>↑-0124</td><td>↑-0764</td><td>↑-0924</td><td>橫</td></tr> <tr><td>1 X 5</td><td>-0125</td><td>-0765</td><td>-0925</td><td>橫</td></tr> <tr><td>1 X 6</td><td>-0126</td><td>-0766</td><td>-0926</td><td>橫</td></tr> <tr><td>1 X 7</td><td>-0127</td><td>-0767</td><td>-0927</td><td>橫</td></tr> <tr><td>1 X 8</td><td>-0128</td><td>-0768</td><td>-0928</td><td>橫</td></tr> <tr><td>1 X 9</td><td>-0129</td><td>-0769</td><td>-0929</td><td>橫</td></tr> <tr><td>1 X 10</td><td>-0130</td><td>-0770</td><td>-0930</td><td>橫</td></tr> <tr><td>1 X 11</td><td>-0131</td><td>-0771</td><td>-0931</td><td>1.6 &amp; 11</td></tr> <tr><td>1 X 12</td><td>-0132</td><td>-0772</td><td>-0932</td><td>1.6 &amp; 12</td></tr> <tr><td>1 X 13</td><td>-0133</td><td>-0773</td><td>-0933</td><td>1.7 &amp; 13</td></tr> <tr><td>1 X 14</td><td>-0134</td><td>-0774</td><td>-0934</td><td>1.7 &amp; 14</td></tr> <tr><td>1 X 15</td><td>-0135</td><td>-0775</td><td>-0935</td><td>1.8 &amp; 15</td></tr> <tr><td>1 X 16</td><td>-0136</td><td>-0776</td><td>-0936</td><td>1.8 &amp; 16</td></tr> <tr><td>1 X 17</td><td>-0137</td><td>-0777</td><td>-0937</td><td>1.9 &amp; 17</td></tr> <tr><td>1 X 18</td><td>-0138</td><td>-0778</td><td>-0938</td><td>1.9 &amp; 18</td></tr> <tr><td>1 X 19</td><td>-0139</td><td>-0779</td><td>-0939</td><td>1.10 &amp; 19</td></tr> <tr><td>1 X 20</td><td>-0140</td><td>-0780</td><td>-0940</td><td>1.10 &amp; 20</td></tr> <tr><td>1 X 21</td><td>-0141</td><td>-0781</td><td>-0941</td><td>1.11 &amp; 21</td></tr> <tr><td>1 X 22</td><td>-0142</td><td>-0782</td><td>-0942</td><td>1.11 &amp; 22</td></tr> <tr><td>1 X 23</td><td>-0143</td><td>-0783</td><td>-0943</td><td>1.12 &amp; 23</td></tr> <tr><td>1 X 24</td><td>-0144</td><td>-0784</td><td>-0944</td><td>1.12 &amp; 24</td></tr> <tr><td>1 X 25</td><td>-0145</td><td>-0785</td><td>-0945</td><td>1.13 &amp; 25</td></tr> <tr><td>1 X 26</td><td>-0146</td><td>-0786</td><td>-0946</td><td>1.13 &amp; 26</td></tr> <tr><td>1 X 27</td><td>-0147</td><td>-0787</td><td>-0947</td><td>1.14 &amp; 27</td></tr> <tr><td>1 X 28</td><td>-0148</td><td>-0788</td><td>-0948</td><td>1.14 &amp; 28</td></tr> <tr><td>1 X 29</td><td>-0149</td><td>-0789</td><td>-0949</td><td>1.15 &amp; 29</td></tr> <tr><td>1 X 30</td><td>-0150</td><td>-0790</td><td>-0950</td><td>1.15 &amp; 30</td></tr> <tr><td>1 X 31</td><td>-0151</td><td>-0791</td><td>-0951</td><td>1.16 &amp; 31</td></tr> <tr><td>1 X 32</td><td>-0152</td><td>-0792</td><td>-0952</td><td>1.16 &amp; 32</td></tr> <tr><td>1 X 33</td><td>-0153</td><td>-0793</td><td>-0953</td><td>1.17 &amp; 33</td></tr> <tr><td>1 X 34</td><td>-0154</td><td>-0794</td><td>-0954</td><td>1.17 &amp; 34</td></tr> <tr><td>1 X 35</td><td>-0155</td><td>-0795</td><td>-0955</td><td>1.18 &amp; 35</td></tr> <tr><td>1 X 36</td><td>-0156</td><td>-0796</td><td>-0956</td><td>1.18 &amp; 36</td></tr> <tr><td>1 X 37</td><td>-0157</td><td>-0797</td><td>-0957</td><td>1.19 &amp; 37</td></tr> <tr><td>1 X 38</td><td>-0158</td><td>-0798</td><td>-0958</td><td>1.19 &amp; 38</td></tr> <tr><td>1 X 39</td><td>↓-0159</td><td>↓-0799</td><td>↓-0959</td><td>1.20 &amp; 39</td></tr> <tr><td>1 X 40</td><td>90627-0160</td><td>90627-0800</td><td>90627-0960</td><td>1.20 &amp; 40</td></tr> </tbody> </table>										CIRCUIT SIZE	PLATING TYPE A PART NO.	PLATING TYPE E PART NO.	PLATING TYPE F PART NO.	KINKED P1N POSITION	1 X 1	90627-0121	90627-0761	90627-0921	橫	1 X 2	90628-0121	90628-0761	90628-0921	SEE NOTE 1	1 X 3	90627-0123	90627-0763	90627-0923	橫	1 X 4	↑-0124	↑-0764	↑-0924	橫	1 X 5	-0125	-0765	-0925	橫	1 X 6	-0126	-0766	-0926	橫	1 X 7	-0127	-0767	-0927	橫	1 X 8	-0128	-0768	-0928	橫	1 X 9	-0129	-0769	-0929	橫	1 X 10	-0130	-0770	-0930	橫	1 X 11	-0131	-0771	-0931	1.6 & 11	1 X 12	-0132	-0772	-0932	1.6 & 12	1 X 13	-0133	-0773	-0933	1.7 & 13	1 X 14	-0134	-0774	-0934	1.7 & 14	1 X 15	-0135	-0775	-0935	1.8 & 15	1 X 16	-0136	-0776	-0936	1.8 & 16	1 X 17	-0137	-0777	-0937	1.9 & 17	1 X 18	-0138	-0778	-0938	1.9 & 18	1 X 19	-0139	-0779	-0939	1.10 & 19	1 X 20	-0140	-0780	-0940	1.10 & 20	1 X 21	-0141	-0781	-0941	1.11 & 21	1 X 22	-0142	-0782	-0942	1.11 & 22	1 X 23	-0143	-0783	-0943	1.12 & 23	1 X 24	-0144	-0784	-0944	1.12 & 24	1 X 25	-0145	-0785	-0945	1.13 & 25	1 X 26	-0146	-0786	-0946	1.13 & 26	1 X 27	-0147	-0787	-0947	1.14 & 27	1 X 28	-0148	-0788	-0948	1.14 & 28	1 X 29	-0149	-0789	-0949	1.15 & 29	1 X 30	-0150	-0790	-0950	1.15 & 30	1 X 31	-0151	-0791	-0951	1.16 & 31	1 X 32	-0152	-0792	-0952	1.16 & 32	1 X 33	-0153	-0793	-0953	1.17 & 33	1 X 34	-0154	-0794	-0954	1.17 & 34	1 X 35	-0155	-0795	-0955	1.18 & 35	1 X 36	-0156	-0796	-0956	1.18 & 36	1 X 37	-0157	-0797	-0957	1.19 & 37	1 X 38	-0158	-0798	-0958	1.19 & 38	1 X 39	↓-0159	↓-0799	↓-0959	1.20 & 39	1 X 40	90627-0160	90627-0800	90627-0960	1.20 & 40
CIRCUIT SIZE											PLATING TYPE A PART NO.	PLATING TYPE E PART NO.	PLATING TYPE F PART NO.	KINKED P1N POSITION																																																																																																																																																																																																									
1 X 1											90627-0121	90627-0761	90627-0921	橫																																																																																																																																																																																																									
1 X 2											90628-0121	90628-0761	90628-0921	SEE NOTE 1																																																																																																																																																																																																									
1 X 3											90627-0123	90627-0763	90627-0923	橫																																																																																																																																																																																																									
1 X 4											↑-0124	↑-0764	↑-0924	橫																																																																																																																																																																																																									
1 X 5											-0125	-0765	-0925	橫																																																																																																																																																																																																									
1 X 6											-0126	-0766	-0926	橫																																																																																																																																																																																																									
1 X 7											-0127	-0767	-0927	橫																																																																																																																																																																																																									
1 X 8											-0128	-0768	-0928	橫																																																																																																																																																																																																									
1 X 9											-0129	-0769	-0929	橫																																																																																																																																																																																																									
1 X 10											-0130	-0770	-0930	橫																																																																																																																																																																																																									
1 X 11											-0131	-0771	-0931	1.6 & 11																																																																																																																																																																																																									
1 X 12											-0132	-0772	-0932	1.6 & 12																																																																																																																																																																																																									
1 X 13											-0133	-0773	-0933	1.7 & 13																																																																																																																																																																																																									
1 X 14											-0134	-0774	-0934	1.7 & 14																																																																																																																																																																																																									
1 X 15											-0135	-0775	-0935	1.8 & 15																																																																																																																																																																																																									
1 X 16											-0136	-0776	-0936	1.8 & 16																																																																																																																																																																																																									
1 X 17											-0137	-0777	-0937	1.9 & 17																																																																																																																																																																																																									
1 X 18											-0138	-0778	-0938	1.9 & 18																																																																																																																																																																																																									
1 X 19											-0139	-0779	-0939	1.10 & 19																																																																																																																																																																																																									
1 X 20											-0140	-0780	-0940	1.10 & 20																																																																																																																																																																																																									
1 X 21											-0141	-0781	-0941	1.11 & 21																																																																																																																																																																																																									
1 X 22											-0142	-0782	-0942	1.11 & 22																																																																																																																																																																																																									
1 X 23											-0143	-0783	-0943	1.12 & 23																																																																																																																																																																																																									
1 X 24											-0144	-0784	-0944	1.12 & 24																																																																																																																																																																																																									
1 X 25											-0145	-0785	-0945	1.13 & 25																																																																																																																																																																																																									
1 X 26											-0146	-0786	-0946	1.13 & 26																																																																																																																																																																																																									
1 X 27											-0147	-0787	-0947	1.14 & 27																																																																																																																																																																																																									
1 X 28											-0148	-0788	-0948	1.14 & 28																																																																																																																																																																																																									
1 X 29											-0149	-0789	-0949	1.15 & 29																																																																																																																																																																																																									
1 X 30											-0150	-0790	-0950	1.15 & 30																																																																																																																																																																																																									
1 X 31											-0151	-0791	-0951	1.16 & 31																																																																																																																																																																																																									
1 X 32											-0152	-0792	-0952	1.16 & 32																																																																																																																																																																																																									
1 X 33											-0153	-0793	-0953	1.17 & 33																																																																																																																																																																																																									
1 X 34											-0154	-0794	-0954	1.17 & 34																																																																																																																																																																																																									
1 X 35											-0155	-0795	-0955	1.18 & 35																																																																																																																																																																																																									
1 X 36											-0156	-0796	-0956	1.18 & 36																																																																																																																																																																																																									
1 X 37											-0157	-0797	-0957	1.19 & 37																																																																																																																																																																																																									
1 X 38											-0158	-0798	-0958	1.19 & 38																																																																																																																																																																																																									
1 X 39											↓-0159	↓-0799	↓-0959	1.20 & 39																																																																																																																																																																																																									
1 X 40											90627-0160	90627-0800	90627-0960	1.20 & 40																																																																																																																																																																																																									
E																																																																																																																																																																																																																							
D																																																																																																																																																																																																																							
C																																																																																																																																																																																																																							
B																																																																																																																																																																																																																							
A																																																																																																																																																																																																																							

DIM C  
 (+0.25)  
 (-0.00)  
 (6.75)  
 .266

DIM D  
 (+0.30)  
 (-0.00)  
 (2.90)  
 .114

NOTES:  
 1. SEE SHEET 1 FOR KINK DETAIL.  
 2. FOR PLATING VARIATIONS SEE ENG.STD. SDES-99000-0003.

FOR PREVIOUS DRAWING ISSUES SEE MRI.

B SEE SHEET 1.

DIMENSIONS SHOWN ( METRIC ) INCH	DRWG BY	REVISE ONLY ON CAD SYSTEM		SH. REV.
UNLESS OTHERWISE SPECIFIED TOLERANCES: ANGULAR ± 1°	RD	CAD/CAM FILENAME	THIS DRAWING CONTAINS INFORMATION THAT IS PROPRIETARY TO MOLEX INC. & SHOULD NOT BE USED WITHOUT WRITTEN PERMISSION	
INCH ( METRIC )	CHK'D BY	3 PLACE ± .	TITLE	
2 PLACE ± .	APP'D BY	1 PLACE ±	C-GRID III SINGLE ROW KINKED PIN HEADER	
DRAFT WHERE APPLICABLE MUST REMAIN WITHIN DIMENSIONS	SCALE	MOLEX EUROPE		
DESIGN DIMENSION ( PRIMARY ) <input checked="" type="checkbox"/> IN.		SHEET NO.	DATE	
EQUIVALENT DIMENSION ( SECONDARY ) <input type="checkbox"/> IN.		20F	90/08/11	
		PART NO.	DWG NO.	SIZE
		SEE CHART	SDA-90627	B