

Excellent Integrated System Limited

Stocking Distributor

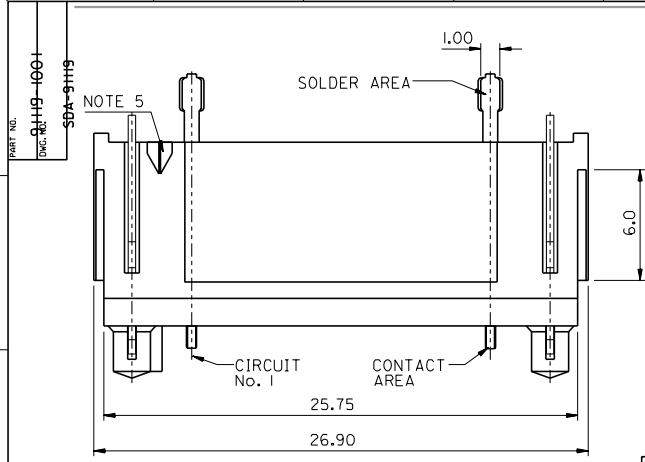
Click to view price, real time Inventory, Delivery & Lifecycle Information:

[Molex Connector Corporation](#)
[0911190002](#)

For any questions, you can email us directly:

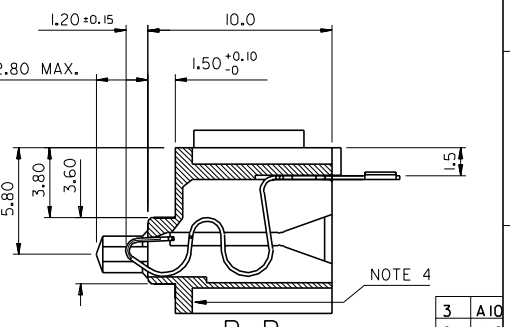
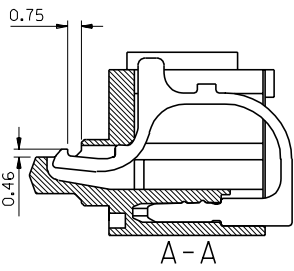
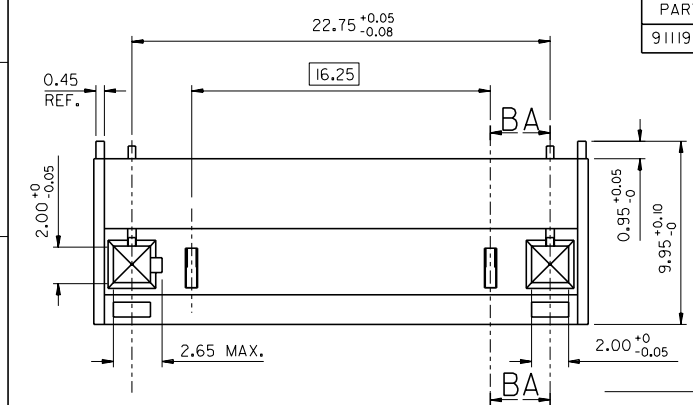
sales@integrated-circuit.com

10 9 8 7 6 5 4 3 2 1



- NOTES:
- MATERIALS: HOUSING: NYLON 4/6 (PA 4/6), 45% GLASS FILL, UL94V-0
COLOUR: BLACK.
TERMINALS: 0.20 REF. THK. PHOSPHOR BRONZE
LATCHES: 0.40 REF. THK. STAINLESS STEEL
PLATING: NICKEL 1.27um MIN. UNDERCOAT OVERALL
0.10um MIN. GOLD FLASH ON 1.0um MIN.
PALLADIUM-NICKEL (80/20) IN CONTACT AREA.
3-5um MIN. TIN-LEAD (90/10) IN SOLDER TAIL AREA.
 - PACKAGING: TRAY PER 99025-0029.
 - SEE PRODUCT SPECIFICATION PS-99020-0054.
 - PART No., 'MXI' AND CAVITY I.D. TO BE 0.1mm MAX. ABOVE THIS SURFACE.
 - SOLDER I.D. RIB RAISED 0.20mm ABOVE FLOOR OF WELL.
WELL TO BE 0.2mm MAX. DEEP.
 - FORCE AT 0.30mm DEFLECTION = 0.35N (MIN.).
FORCE AT 0.80mm DEFLECTION = 1.0N (MAX.).

PART No.	LOADED CIRCUITS
91119-1001	1 & 14



3	A10
2	A10
1	A10
	SH. REV.

FOR PREVIOUS DRAWING ISSUES SEE MRI.

VARIOUS MODS.	REVISIONS
A10 ECN E80116 97/10/20 J D C	LTR

REVISE ONLY ON CAD SYSTEM	
CAD/CAM FILENAME S9118Y1 DCN	THIS DRAWING CONTAINS INFORMATION THAT IS PROPRIETARY TO MOLEX INC. & SHOULD NOT BE USED WITHOUT WRITTEN PERMISSION
MOBILE PHONE CONTACT UNIT FOR WIRE	
MOLEX EUROPE	SHEET NO. DATE 10F3 96/01/23
PART NO. 91119-1001	DWG NO. SDA-91119
	SIZE B

7132-1283 10 9 8 7 6 5 4 3 2 1

