

Excellent Integrated System Limited

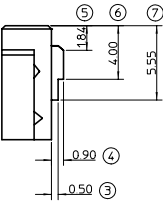
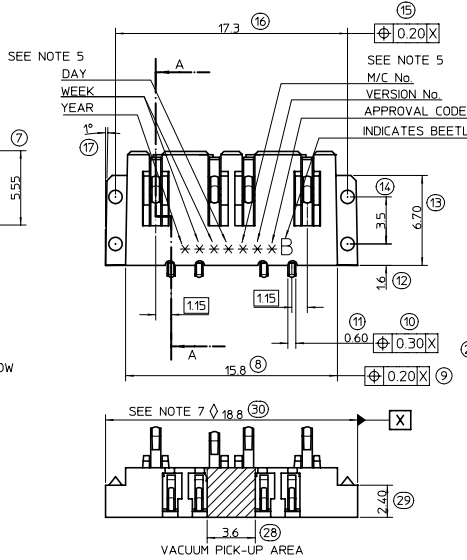
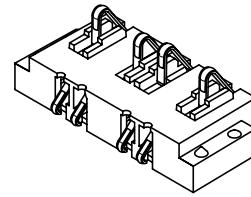
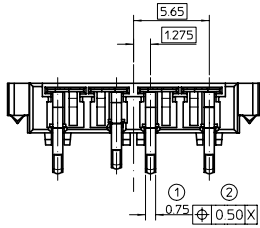
Stocking Distributor

Click to view price, real time Inventory, Delivery & Lifecycle Information:

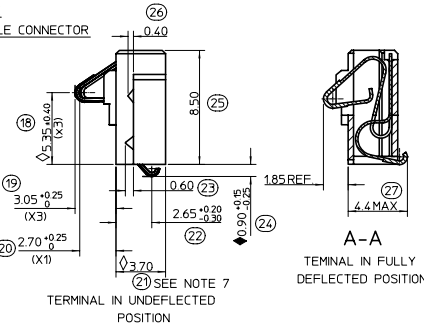
[Molex Connector Corporation](#)
[0913600003](#)

For any questions, you can email us directly:

sales@integrated-circuit.com

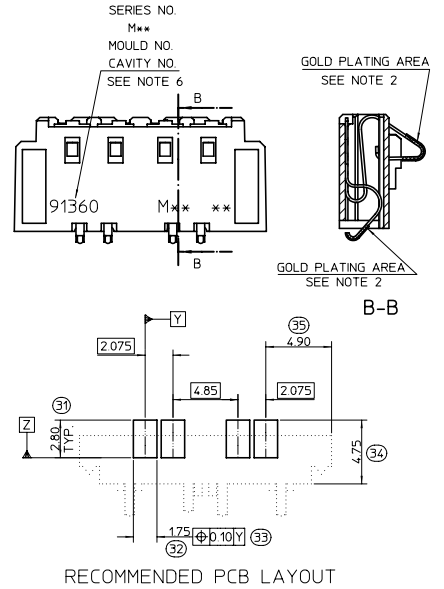


TERMINALS OMITTED FOR CLARITY TO SHOW PLASTIC DIMENSIONS



A-A
TERMINAL IN FULLY DEFLECTED POSITION

VERSION No.	DESCRIPTION
3	MATERIAL CHANGED FROM GREY TO BLACK



- NOTES:
- MATERIALS:**
HOUSING: POLYESTER (PBT), 30% GLASS FILL, UL94 V-0, COLOUR BLACK
CONTACT: PHOSPHOR BRONZE CuSn8 0.15 REF. THICK
 - PLATING:**
2.5µm NICKEL UNDERCOAT ALLOVER. 0.76µm HARD GOLD AT CROWN POINT. GOLD FLASH PRESENT OVER BEADED AREA.
 - PACKAGING:** TAPE AND REEL
 - PART WEIGHT IS 0.66g**
 - DATECODE** CONSISTING OF YEAR, WEEK, DAY, M/C NO., VERSION No., APPROVAL CODING
APPROVAL CODING: 'V' INDICATES PART FROM PRE-APPROVED LINE. 'A' INDICATES PART FROM APPROVED LINE
TO BE HOT STAMPED WITH 1.6mm HIGH TEXT.
 - TEXT** TO BE 10mm HIGH & RECESSED 0.1mm - M** DENOTES MOLEX ENTITY WHERE PART WAS MOULDED: MXI=SHANNON, MSH=SHANGHAI, MX=US
 - DIMENSIONS 21 AND 30** TO BE USED FOR MOULD Cpk STUDIES.
LAST INSPECTION NUMBER USED. (35)

VARIOUS MODES:
E20010530
EKEYLY 0071708

◇ -3
◆ -1

5.1 x x
CTOBIN
MWILHITE
91360-0003