

Excellent Integrated System Limited

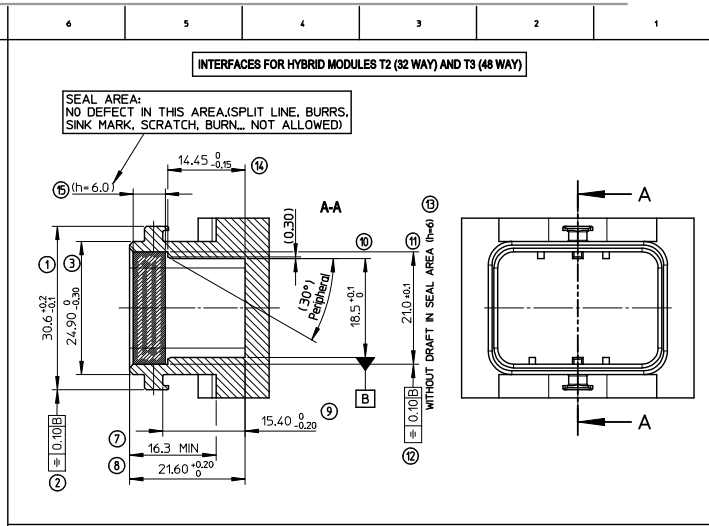
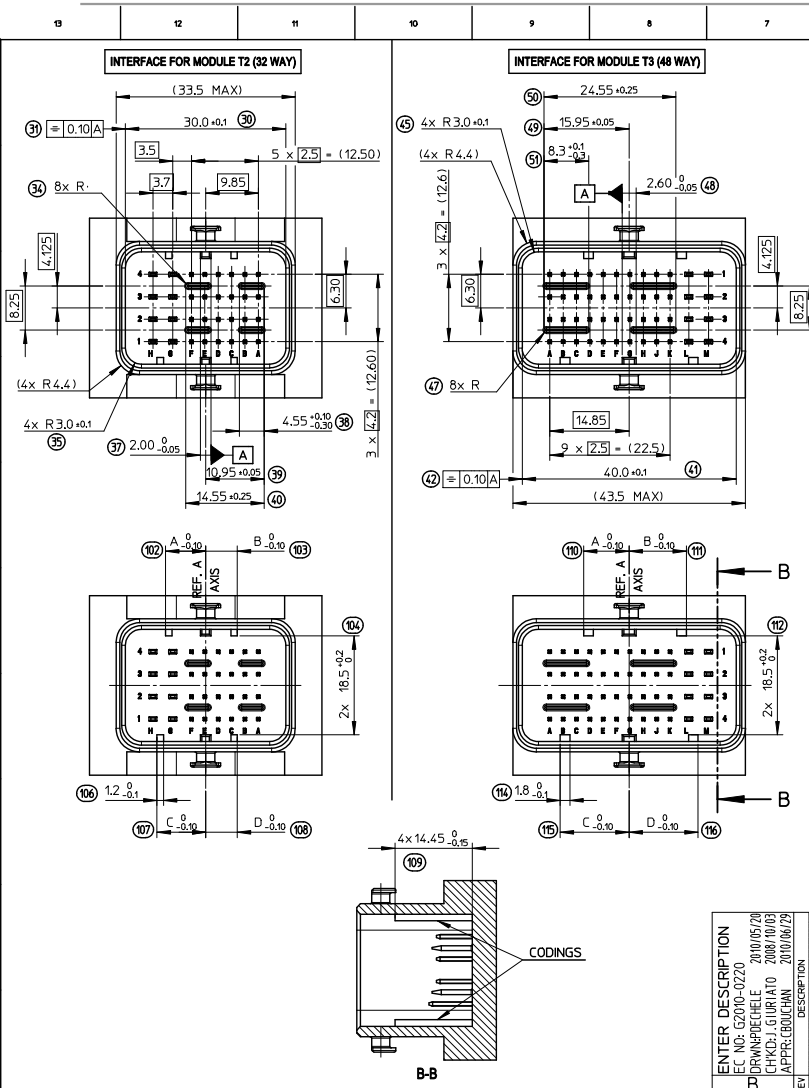
Stocking Distributor

Click to view price, real time Inventory, Delivery & Lifecycle Information:

[Molex Connector Corporation](#)
[0986502004](#)

For any questions, you can email us directly:

sales@integrated-circuit.com



HEADERS CODINGS

(CODING 2 SHOWN)

HEADER'S CODINGS FOR MODULE T2 (32W)					
COLOR	CODING	DIM. A	DIM. B	DIM. C	DIM. D
BLACK	1	9.1	4.3	5.9	4.3
GREY	2	7.5	5.9	9.1	5.9
BROWN	3	5.9	7.5	9.1	9.1
GREEN	4	7.5	9.1	4.3	4.3
BLUE	5	4.3	7.5	5.9	5.9
YELLOW	6	9.1	7.5	4.3	7.5

(CODING 3 SHOWN)

HEADER'S CODINGS FOR MODULE T3 (48W)					
COLOR	CODING	DIM. A	DIM. B	DIM. C	DIM. D
BLACK	1	12.9	6.3	8.5	6.3
GREY	2	10.7	8.5	12.9	8.5
BROWN	3	8.5	10.7	12.9	12.9
GREEN	4	10.7	12.9	6.3	6.3
BLUE	5	6.3	10.7	8.5	8.5
YELLOW	6	12.9	10.7	6.3	10.7

NOTE:

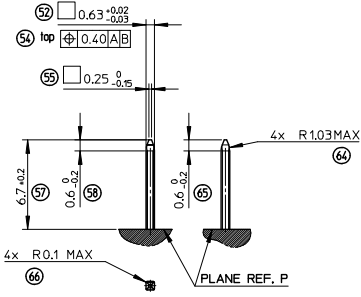
1- INTERFACE DEFINITION BASED ON NFR13-462 STANDARD.

2- HEADER: ELASTICITY MODULUS: 8000mpa min. (INITIAL CONDITION BEFORE AGEING)

ENTER DESCRIPTION EC NO: GZ010-0220 DRAWN: P. CHELE 2010/05/20 CHECKED: J. GIURIATO 2008/10/03 APPROVED: E. BULGHAN 2010/04/29	DESCRIPTION [REDACTED]	GENERAL TOLERANCES (UNLESS SPECIFIED)	DIMENSION STYLE MM ONLY	SCALE 2:1	DESIGN UNITS METRIC	FIRST ANGLE PROJECTION	
		4 PLACES ± --- ± --- 5 PLACES ± --- ± --- 2 PLACES ± 0.10 ± --- 1 PLACE ± 0.10 ± ---	DRAWN BY G. DESBRUERES 2008/10/02	DATE 2008/10/02	TITLE INTERFACES FOR CONNECTOR 32 & 48 CKT CMC	MOLEX INCORPORATED	SHEET NO. 1 OF 3
		ANGULAR ± 2 °	CHECKED BY J. GIURIATO 2008/10/03	DATE 2008/10/03	APPROVED BY O. PLESSIS 2008/10/04	DOCUMENT NO. SD-98644-006	INCORPORATED AND SHOULD NOT BE USED WITHOUT WRITTEN PERMISSION
		DRAFT WHERE APPLICABLE MUST REMAIN WITHIN DIMENSIONS	MATERIAL NO. N/A	DATE 2008/10/04	APPROVED BY O. PLESSIS 2008/10/04	DOCUMENT NO. SD-98644-006	INCORPORATED AND SHOULD NOT BE USED WITHOUT WRITTEN PERMISSION

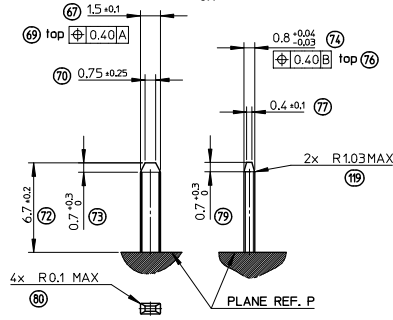
PINS 0.635 DEFINITION

5:1



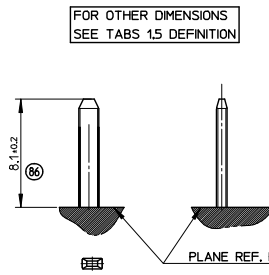
TABS 1.5 DEFINITION

5:1



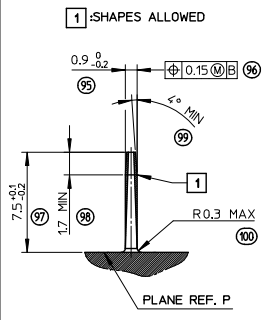
GROUND TABS 1.5 DEFINITION

5:1



PROTECTION WALL DEFINITION

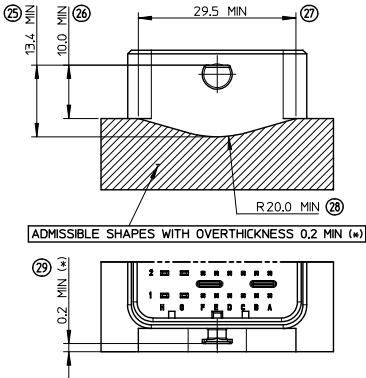
5:1



LOCKING AXIS PROTECTION

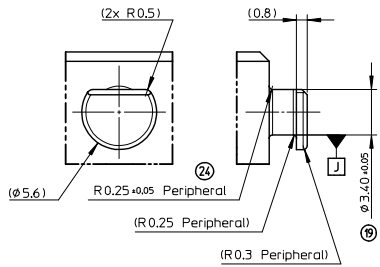
2:1

MANDATORY OVERTHICKNESS: dimension noted (*) IF THE LOCKING AXIS ARE OUT OF EQUIPMENT OVERALL DIMENSIONS.



LOCKING AXIS DEFINITION

5:1



ENTER DESCRIPTION	2010/05/20
EC NO: G2010-0220	
DRW: MPECHELE	2008/10/03
CHKD: J. GIURIATO	
APPR: COULCHAN	2010/06/29
REV	DESCRIPTION

GENERAL TOLERANCES (UNLESS SPECIFIED)	
mm	INCH
4 PLACES ±---	±---
3 PLACES ±---	±---
2 PLACES ±0.10	±---
1 PLACE ±0.10	±---
ANGULAR ± 2 °	

DIMENSION STYLE	
MM ONLY	
DRAWN BY	DATE
G. DESBRUERES	2008/10/02
CHECKED BY	DATE
J. GIURIATO	2008/10/03
APPROVED BY	DATE
O. PLESSIS	2008/10/06
MATERIAL NO.	
N/A	

SCALE	DESIGN UNITS	FIRST ANGLE PROJECTION
1:1	METRIC	
TITLE		
INTERFACES FOR CONNECTOR		
32 & 48 CKT CMC		
GENERIC SALES DRAWING		
MOLEX INCORPORATED		
DOCUMENT NO.	SHEET NO.	
SD-98644-006	2 OF 3	

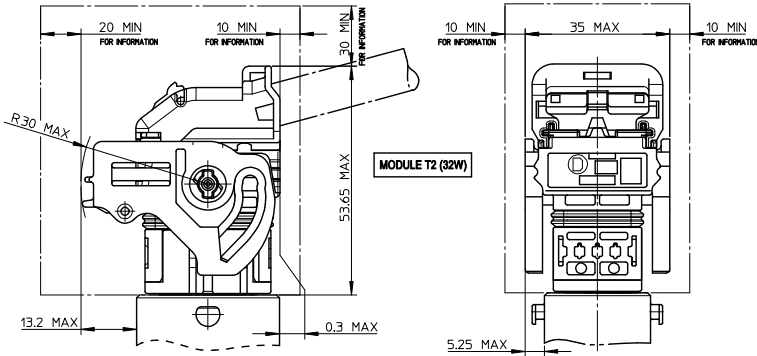
DRAFT WHERE APPLICABLE MUST REMAIN WITHIN DIMENSIONS

THIS DRAWING CONTAINS INFORMATION THAT IS PROPRIETARY TO MOLEX INCORPORATED AND SHOULD NOT BE USED WITHOUT WRITTEN PERMISSION

CONNECTOR ON HEADER - OVERALL DIMENSIONS

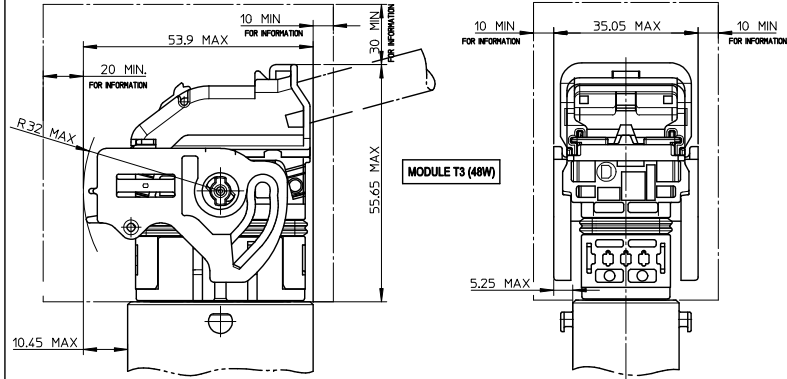
UNLOCKED CONNECTOR - OVERALL DIMENSIONS

LOCKED CONNECTOR - OVERALL DIMENSIONS



UNLOCKED CONNECTOR - OVERALL DIMENSIONS

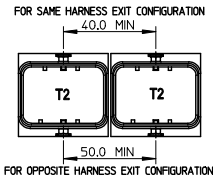
LOCKED CONNECTOR - OVERALL DIMENSIONS



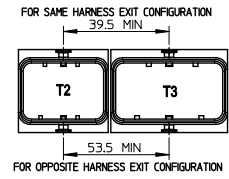
NOTE:
1- T2 = 32 WAY / T3 = 48 WAY

MULTI-HEADERS LAYOUT

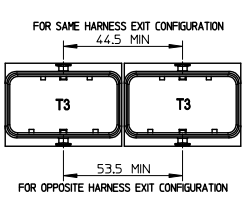
LAYOUT FOR TWO INTERFACES T2 (32W)



LAYOUT FOR TWO INTERFACES T2 (32W) AND T3 (48W)



LAYOUT FOR TWO INTERFACES T3 (48W)



LEGEND:

FREE VOLUME FOR MANUAL LOCKING AND UNLOCKING DIMENSIONS GIVEN FOR INFORMATION ONLY TO BE CONFIRMED BASED UPON VEHICLE CONFIGURATION.

ENTER DESCRIPTION	2010/05/20
EC NO. G2010-0220	
DR: WAPDECHELE	2008/10/03
CHKD: J. GIURIATO	
APPR: BOULICHAN	2010/06/29

GENERAL TOLERANCES (UNLESS SPECIFIED)		
	mm	INCH
4 PLACES	± 0.10	± 0.004
3 PLACES	± 0.15	± 0.006
2 PLACES	± 0.20	± 0.008
1 PLACE	± 0.30	± 0.012
ANGULAR ± 2°		

DRAWN BY	G. DESBRIERES	DATE	2008/10/02
CHECKED BY	J. GIURIATO	DATE	2008/10/03
APPROVED BY	O. PLESSIS	DATE	2008/10/06
MATERIAL NO.	N/A		

SCALE	1:1	DESIGN UNITS	METRIC	FIRST ANGLE PROJECTION
TITLE				
INTERFACES FOR CONNECTOR 32 & 48 CKT CMC				
GENERIC SALES DRAWING				
MOLEX INCORPORATED				

DRAFT WHERE APPLICABLE MUST REMAIN WITHIN DIMENSIONS

SIZE A2 THIS DRAWING CONTAINS INFORMATION THAT IS PROPRIETARY TO MOLEX INCORPORATED AND SHOULD NOT BE USED WITHOUT WRITTEN PERMISSION

DOCUMENT NO.	SD-98644-006	SHEET NO.	3 OF 3
--------------	--------------	-----------	--------