

Excellent Integrated System Limited

Stocking Distributor

Click to view price, real time Inventory, Delivery & Lifecycle Information:

[Comchip Technology](#)

[UF3001-G](#)

For any questions, you can email us directly:

sales@integrated-circuit.com

Ultra Fast Recovery Rectifiers



UF3001-G Thru. UF3008-G

Voltage: 50 to 1000 V

Current: 3.0 A

RoHS Device

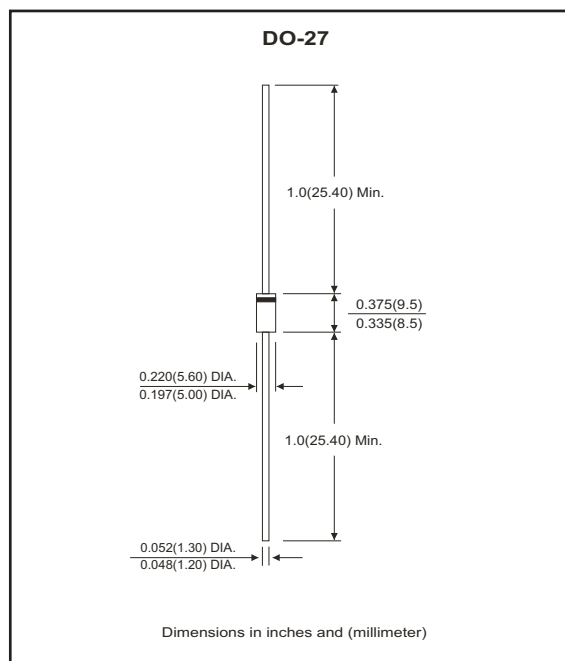


Features

- Low cost construction.
- Ultra fast switching for high efficiency.
- Low reverse leakage current.
- High forward voltage drop.
- High current capability.
- The plastic material carries UL recognition 94V-0

Mechanical data

- Case: JEDEC DO-27 molded plastic .
- Polarity: Color band denotes cathode.
- Lead: Plated axial lead, solderable per MIL-STD-202E, method 208C
- Mounting position: Any
- Weight: 0.04 ounces, 1.1 grams



Electrical Characteristics (at TA=25 °C unless otherwise noted)

Ratings at 25 °C ambient temperature unless otherwise specified.
 Single phase, half wave, 60Hz, resistive or inductive load.
 For capacitive load derate current by 20%.

Parameter	Symbol	UF3001-G	UF3002-G	UF3003-G	UF3004-G	UF3005-G	UF3006-G	UF3007-G	UF3008-G	Unit	
	Marking	UF3001	UF3002	UF3003	UF3004	UF3005	UF3006	UF3007	UF3008		
Maximum repetitive peak reverse voltage	V _{RRM}	50	100	200	300	400	600	800	1000	V	
Maximum RMS voltage	V _{RMS}	35	70	140	210	280	420	560	700	V	
Maximum DC blocking voltage	V _{DC}	50	100	200	300	400	600	800	1000	V	
Maximum average forward rectified current 0.375"(9.5mm) lead length @TA=55	I _(AV)	3.0								A	
Peak forward surge current, 8.3ms single half sine-wave superimposed on rated load (JEDEC method)	I _{FSM}	125								A	
Peak forward voltage at 3.0A DC	V _F	1.0			1.3		1.7			V	
Maximum reverse current at rated DC blocking voltage	TA=25°C	I _R								5.0	µA
	TA=100°C	I _R								100	µA
Maximum reverse recovery time (Note 1)	t _{rr}	50					75			nS	
Typical junction capacitance (Note 2)	C _J	50					30			PF	
Typical thermal resistance (Note 3)	R _{θJA}	20								°C/W	
Operating temperature range	T _J	-55 ~ +125								°C	
Storage temperature range	T _{STG}	-55 ~ +150								°C	

NOTES:

1. Measured with I_F=0.5A, I_R=1.0A, I_{RR}=0.25A
2. Measured at 1.0MHz and applied reverse voltage of 4.0Volts.
3. Thermal resistance junction to ambient.

Ultra Fast Recovery Rectifiers



Rating and Characteristic Curves (UF3001-G Thru. UF3008-G)

Fig.1 Forward Current Derating Curve

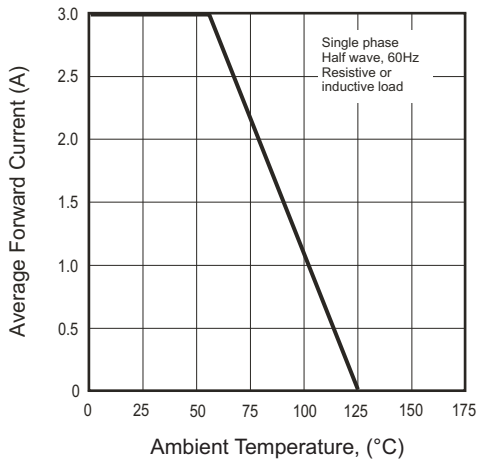


Fig.2 Maximum Non-Repetitive Surge Current

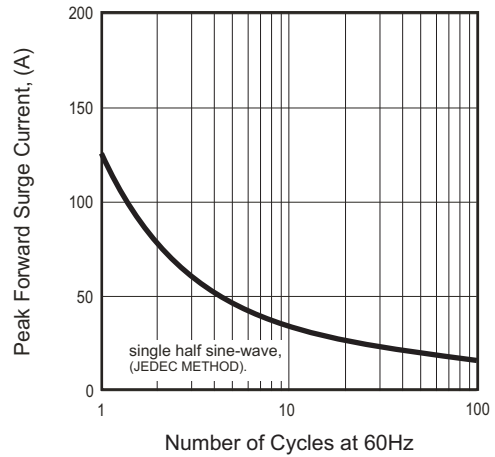


Fig.3 Typical Junction Capacitance

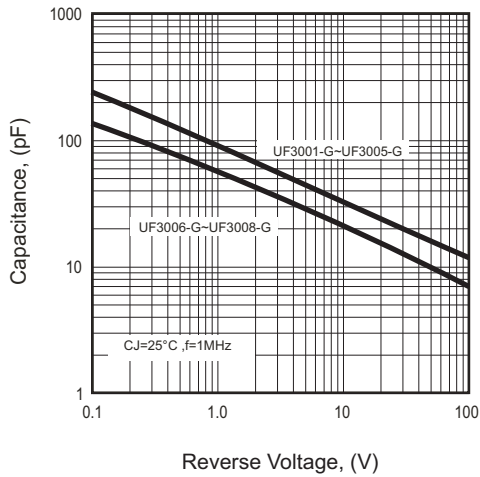
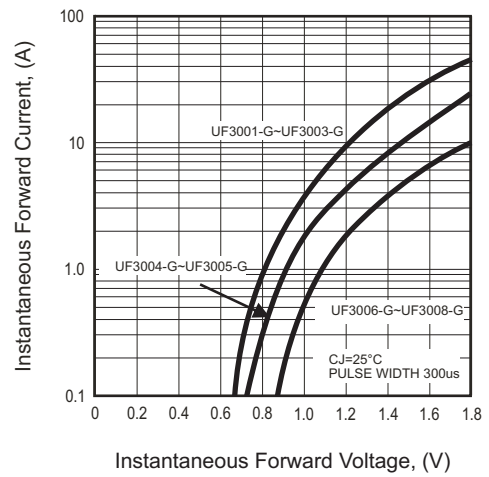


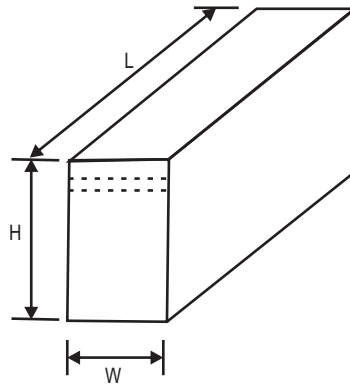
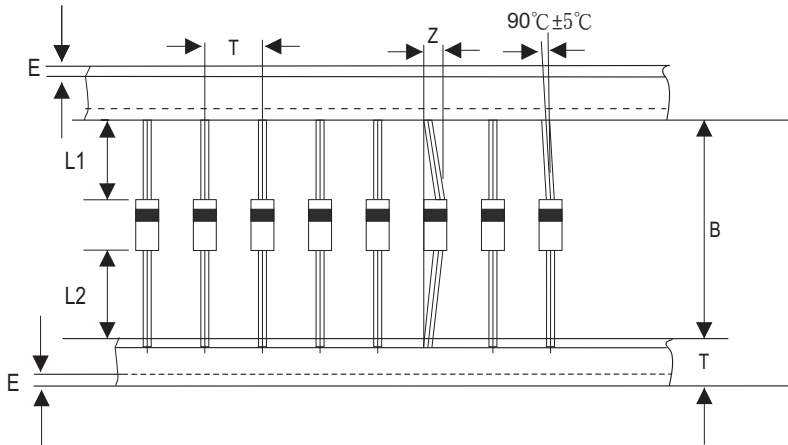
Fig.4 Typical Forward Characteristics



Ultra Fast Recovery Rectifiers



Taping Specification For Axial Lead Diodes



DO-27	SYMBOL	A	B	Z	T	E	L1-L2	L
	(mm)	10.0 ± 0.50	52.4 ± 1.5	1.2 (max)	6.0 ± 0.4	0.8 (max)	1.0 (max)	255.0 ± 5.0
	(inch)	0.394 ± 0.020	2.063 ± 0.059	0.047 (max)	0.236 ± 0.016	0.032 (max)	0.040 (max)	10.039 ± 0.197

DO-27	SYMBOL	W	H				
	(mm)	78.0 ± 5.0	95.0 ± 5.0				
	(inch)	3.071 ± 0.197	3.740 ± 0.197				

Standard Package

Case Type	BOX		
	BOX (EA)	Box / Carton	CARTON (EA)
DO-27	1200	10	12000