

## Excellent Integrated System Limited

Stocking Distributor

Click to view price, real time Inventory, Delivery & Lifecycle Information:

[KEMET](#)  
[R46KN410000P0K](#)

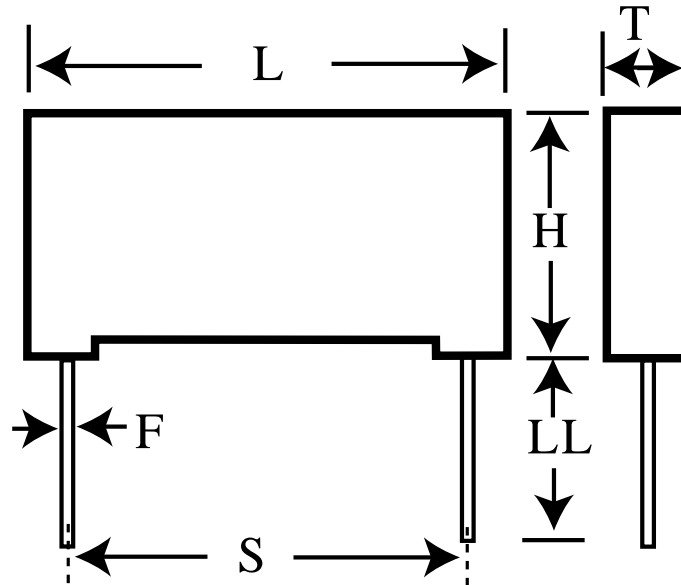
For any questions, you can email us directly:

[sales@integrated-circuit.com](mailto:sales@integrated-circuit.com)

**R46KN410000P0K**

aka 46KN410000P0K

Capacitor, film, 1 uF, +/-10% Tol, -40/+110C, Safety: X2, 275VAC, Lead Spacing=22.5 mm



**Dimensions (mm)**

**Specifications**

ID	Dimension	Tolerance	Manufacturer:	KEMET
L	26.5	+0.3	Brand:	Arcotronics
H	18.5	+0.1	Capacitance:	1 uF
T	10	+0.2	Temperature Range:	-40/+110C
S	22.5	+/-0.4	Rated Temperature:	105C
LL	4	+2	Voltage @ rated temp:	560V
F	0.8	+/-0.05	Voltage AC:	275VAC
			Tolerance:	+/-10%
			Body Type:	Radial Box
			Construction:	Wound
			Application:	Safety: X2
			Dissipation Factor @ 1 kHz:	0.1%
			Insulation Resistance:	30 GOhm
			Maximum dVdT:	200v/us
			UL_1414:	250V
			UL_1283:	310V
			IEC_60384-14:	275V
			CSA_384-14:	275V
			CQC_GB/T 14472:	275V
			Package Kind:	Bulk
			Package Type:	Bag
			Package Quantity:	396