

Excellent Integrated System Limited

Stocking Distributor

Click to view price, real time Inventory, Delivery & Lifecycle Information:

[Comchip Technology](#)
[CDBA5819-G](#)

For any questions, you can email us directly:

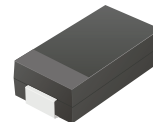
sales@integrated-circuit.com

SMD Schottky Barrier Rectifiers



CDBA5819-G

Reverse Voltage: 40 Volts
Forward Current: 1A
RoHS Device

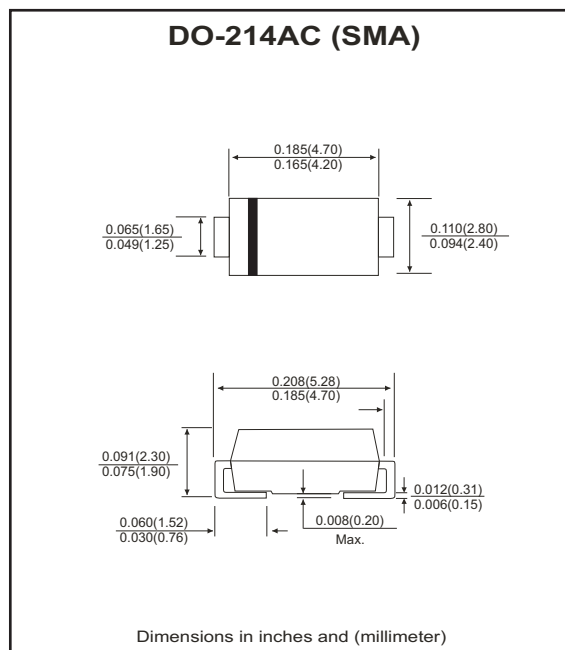


Features

- Ideal for surface mount applications.
- Low power losses, high efficiency.
- High temperature soldering:
260°C/10 seconds at terminals.
- High surge capability.
- Low forward voltage drop.

Mechanical data

- Case: JEDEC DO-214AC, molded plastic.
- Terminals: Solder plated, solderable per,
J-STD-002B and JESD22-B102D.
- Polarity: Laser band denotes cathode end.
- Approx. weight: 0.064 grams



Maximum Ratings and Electrical Characteristics

Ratings at 25°C ambient temperature unless otherwise specified.
 Single phase, half wave, 60Hz, resistive or inductive load.
 For capacitive load, derate current by 20%.

Parameter	Symbol	CDBA5819-G	Unit
Maximum repetitive peak reverse voltage	V_{RRM}	40	V
Maximum RMS voltage	V_{RMS}	28	V
Maximum DC blocking voltage	V_{DC}	40	V
Maximum average forward rectified current	$I_{F(AV)}$	1.0	A
Peak forward surge current, 8.3ms single half sine-wave superimposed on rated load (JEDEC method)	I_{FSM}	40	A
Max. instantaneous forward voltage at 1.0A	V_F	0.55	V
Maximum DC reverse current at Rated DC blocking voltage	I_R	0.5 5	mA
Thermal resistance from junction to Lead (Note 1)	$R_{\theta JA}$	32	°C/W
Operating temperature range	T_J	-65 ~ +125	°C
Storage temperature range	T_{STG}	-65 ~ +125	°C

NOTES:

- Units mounted on P.C.B. 5.0×5.0 mm (0.013 mm thick) land areas.
- Company reserves the right to improve product design, functions and reliability without notice.

SMD Schottky Barrier Rectifiers

RATING AND CHARACTERISTIC CURVES (CDBA5819-G)

Fig.1 - Forward Current derating curve

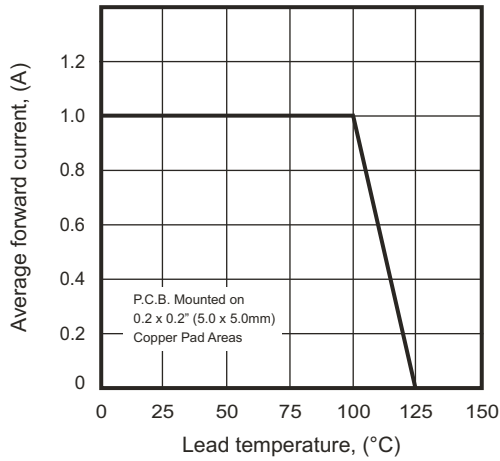


Fig.2 - Maximum Non-repetitive Peak Forward Surge Current

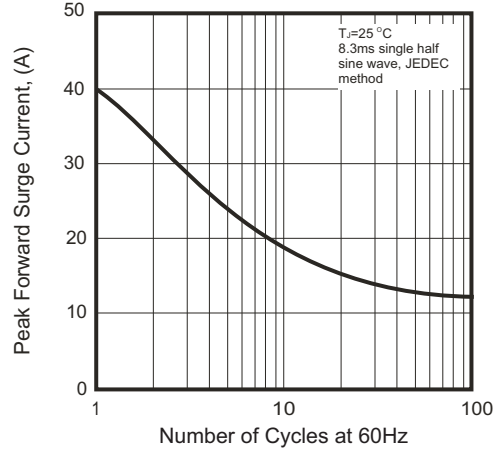


Fig.3 - Typical Instantaneous Forward Characteristics

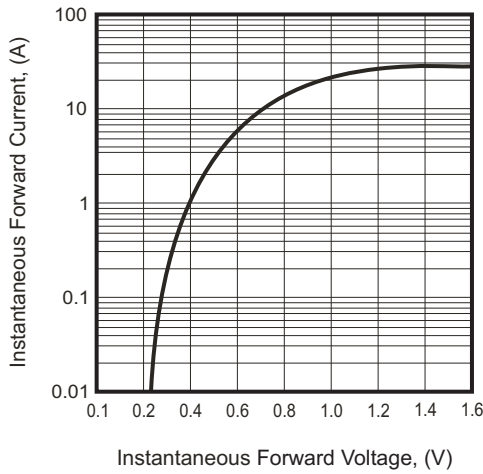
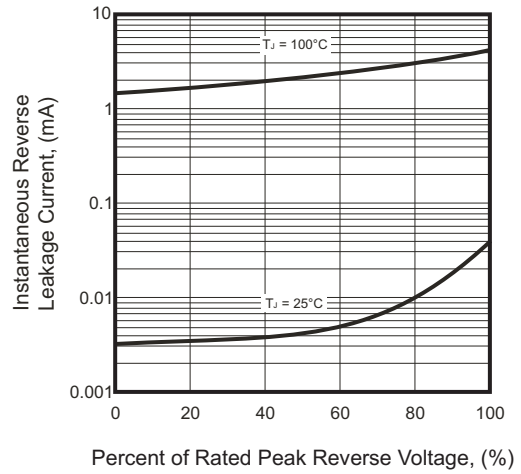


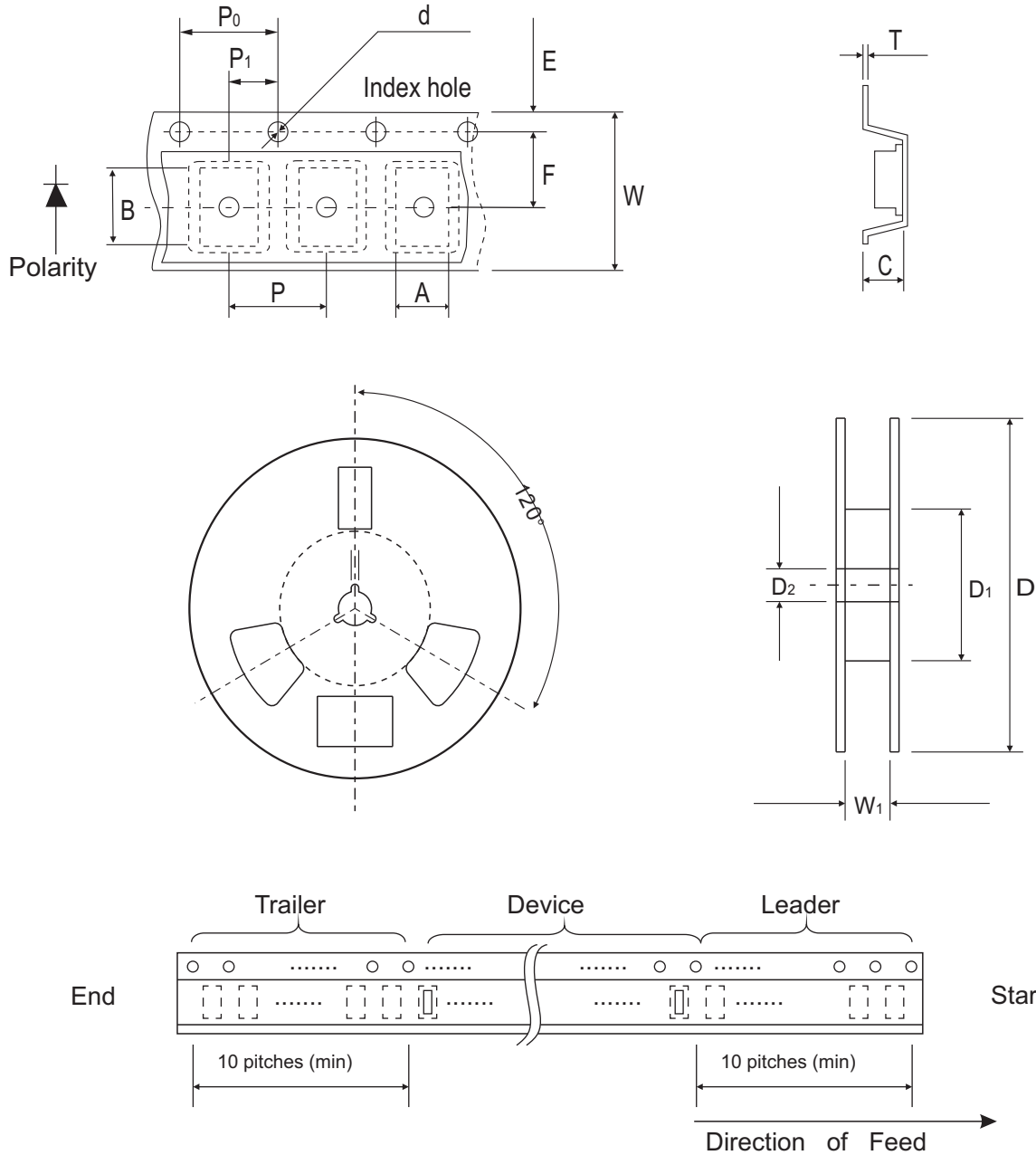
Fig.5 - Typical Reverse Leakage Characteristics



SMD Schottky Barrier Rectifiers



Reel Taping Specification



SMA (DO-214AC)	SYMBOL	A	B	C	d	D	D ₁	D ₂
	(mm)	2.60 ± 0.15	5.18 ± 0.17	2.36 ± 0.10	1.50 ± 0.10	330 ± 1.50	75.0 ± 1.00	13.5 ± 0.50
	(inch)	0.102 ± 0.006	0.204 ± 0.007	0.093 ± 0.004	0.059 ± 0.004	12.992 ± 0.060	2.953 ± 0.040	0.531 ± 0.020

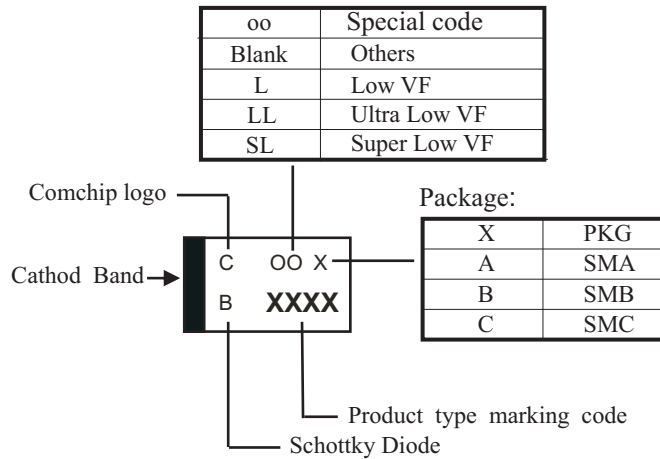
SMA (DO-214AC)	SYMBOL	E	F	P	P ₀	P ₁	W	W ₁
	(mm)	1.75 ± 0.10	5.50 ± 0.05	4.00 ± 0.10	4.00 ± 0.10	2.00 ± 0.05	12.00 ± 0.200	13.5 ± 0.50
	(inch)	0.689 ± 0.004	0.217 ± 0.002	0.157 ± 0.004	0.157 ± 0.004	0.079 ± 0.002	0.472 ± 0.008	0.531 ± 0.020

SMD Schottky Barrier Rectifiers



Marking Code

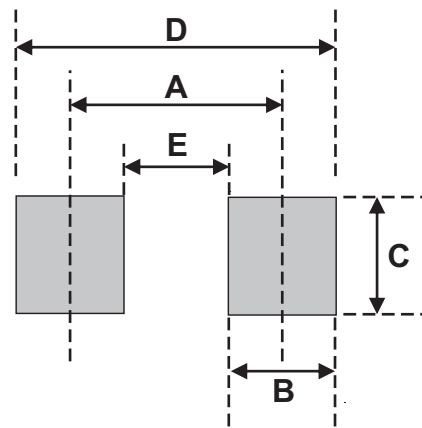
Part Number	Marking Code
CDBA5819-G	5819



xxxx = Product type marking code

Suggested PAD Layout

SIZE	DO-214AC(SMA)	
	(mm)	(inch)
A	3.80	0.150
B	1.60	0.063
C	2.80	0.110
D	5.40	0.213
E	2.20	0.087



Standard Packaging

Case Type	REEL PACK	
	REEL (pcs)	Reel Size (inch)
DO-214AC (SMA)	5,000	13