

Excellent Integrated System Limited

Stocking Distributor

Click to view price, real time Inventory, Delivery & Lifecycle Information:

[Comchip Technology](#)
[CDBV6-00340TI-G](#)

For any questions, you can email us directly:

sales@integrated-circuit.com

SMD Schottky Barrier Diode Arrays

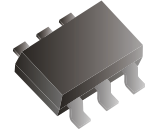


CDBV6-00340TI-G

Forward Current: 30mA

Reverse Voltage: 40V

RoHS Device

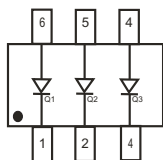
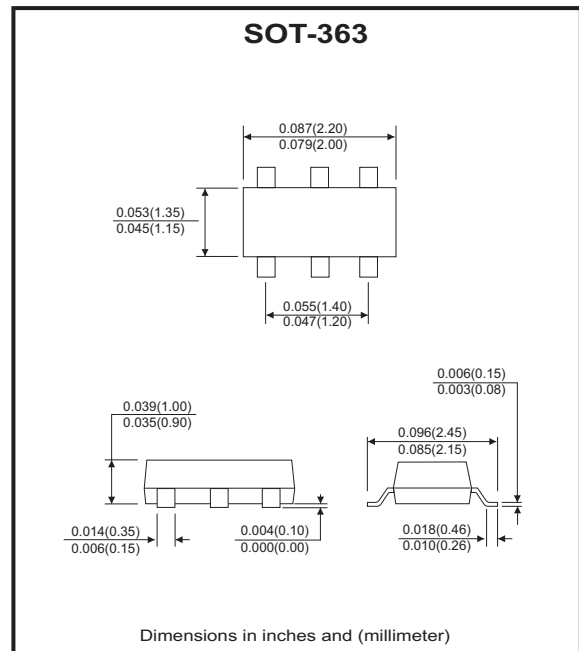


Features

- Low forward voltage drop.
- Fast switching.
- Ultra-small surface mount package.
- PN junction guard ring for transient and ESD protection.
- Available in lead Free version.

Mechanical data

- Case: SOT-363, Molded Plastic
- Case material: UL 94V-0 flammability retardant classification.
- Terminals: Solderable per MIL-STD-202, Method 208
- Marking: Orientation: See diagrams below
- Weight: 0.006 grams (approx.)
- Marking: 731



CDBV6-00340TI-G

*Symmetrical configuration, no orientation indicator.

Maximum Ratings (at Ta=25°C unless otherwise noted)

| Parameter | Symbol | Limits | Unit |
|---|-----------|------------|------|
| Peak repetitive reverse voltage | V_{RM} | 40 | V |
| DC blocking voltage | V_R | 40 | V |
| Forward continuous current | I_F | 30 | mA |
| Forward surge current (Note 1) @t<1.0s | I_{FSM} | 200 | mA |
| Operation and storage temperature range | T_J | 125 | °C |
| Operation and storage temperature range | T_{STG} | -40 ~ +125 | °C |

Electrical Characteristics (at Ta=25°C unless otherwise noted)

| Parameter | Conditions | Symbol | Min | Typ | Max | Unit |
|-------------------------|----------------------|--------|-----|-----|------|------|
| Forward voltage | $I_F=1mA$ | V_F | | | 0.37 | V |
| Reverse leakage current | $V_R=10V$ | I_R | | | 1 | μA |
| Total capacitance | $V_R=1.0V, f=1.0MHz$ | C_T | | 2 | | pF |

Notes1 : 60HZ * 1 Cyc.

SMD Schottky Barrier Diode Arrays



ELECTRICAL CHARACTERISTIC CURVES (CDBV6-00340TI-G)

Fig.1 Forward Characteristics

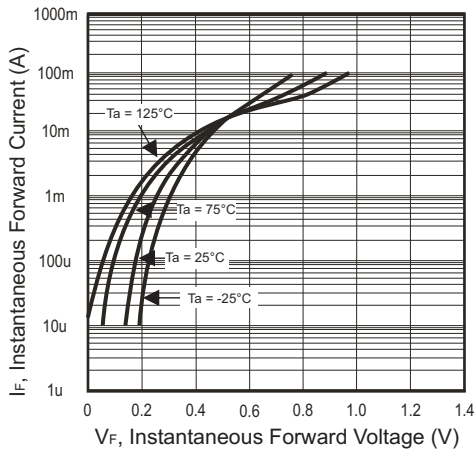


Fig.2 Reverse Characteristics

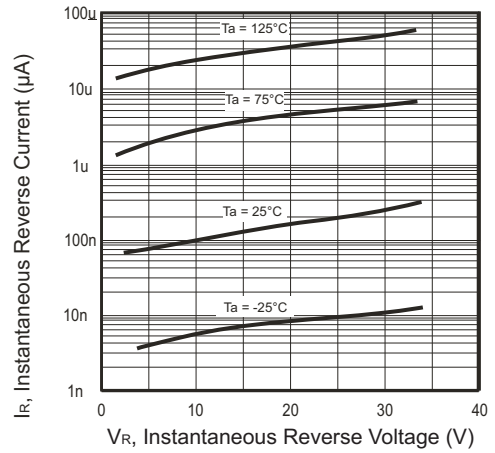
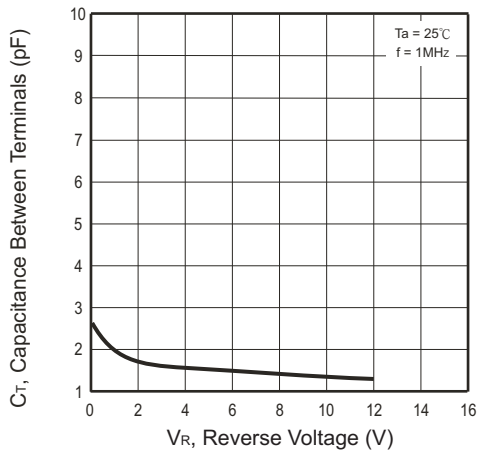


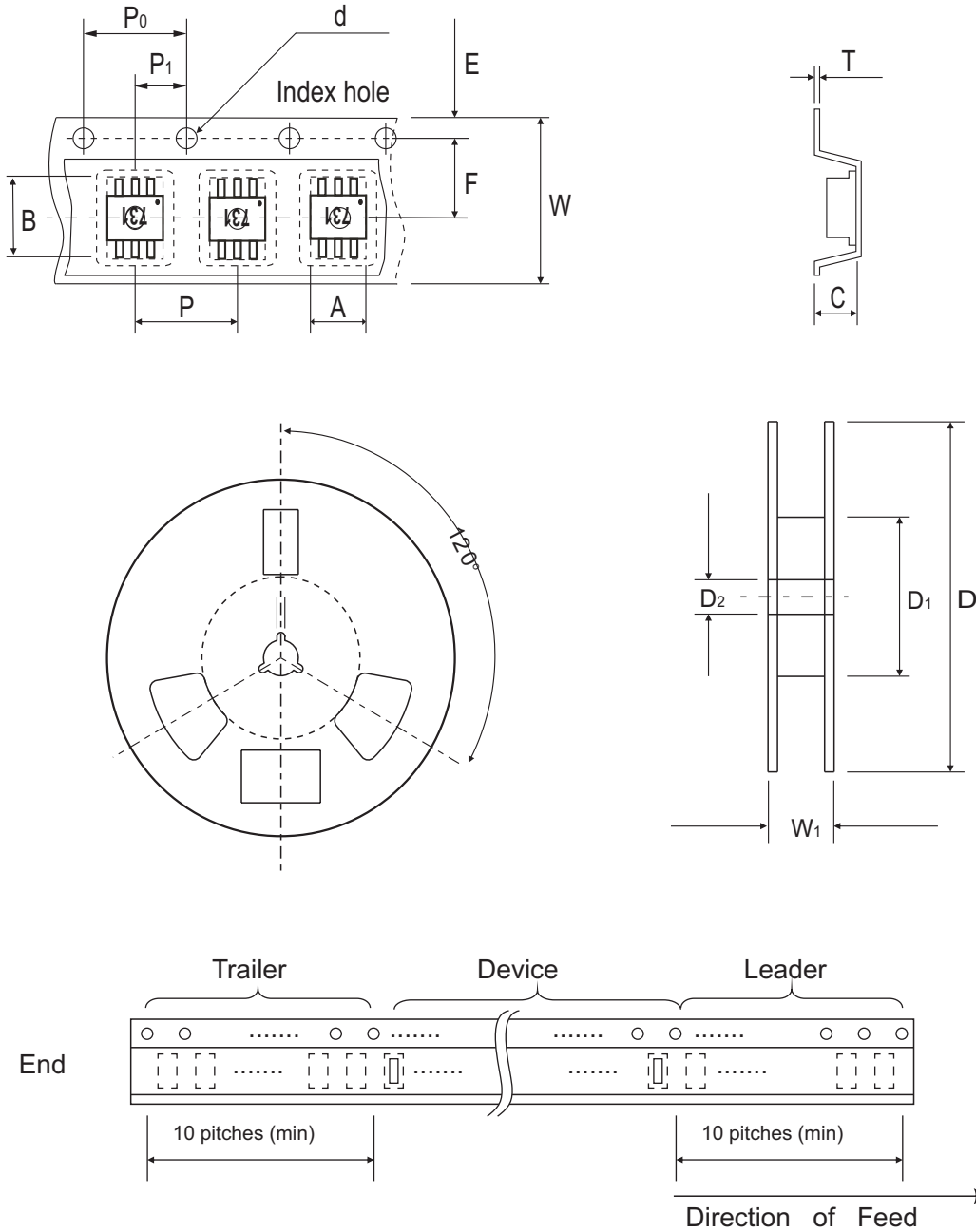
Fig.3 Capacitance Between Terminals Characteristics



SMD Schottky Barrier Diode Arrays



Reel Taping Specification



| SOT-363 | SYMBOL | A | B | C | d | D | D1 | D2 |
|---------|--------|---------------|---------------|---------------|---------------|---------------|---------------|---------------|
| | (mm) | 2.25 ± 0.05 | 2.55 ± 0.05 | 1.20 ± 0.05 | 1.50 ± 0.10 | 178 ± 2 | 50.40 ± 1.00 | 13.00 ± 1.00 |
| | (inch) | 0.089 ± 0.002 | 0.100 ± 0.002 | 0.047 ± 0.002 | 0.059 ± 0.004 | 7.008 ± 0.079 | 0.059 ± 0.004 | 0.512 ± 0.039 |

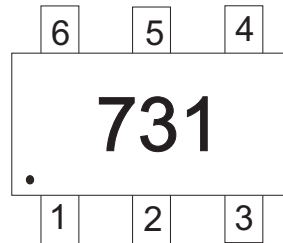
| SOT-363 | SYMBOL | E | F | P | P0 | P1 | W | W1 |
|---------|--------|---------------|---------------|---------------|---------------|---------------|-------------------------|---------------|
| | (mm) | 1.75 ± 0.10 | 3.50 ± 0.10 | 4.00 ± 0.10 | 4.00 ± 0.10 | 2.00 ± 0.10 | 8.00 + 0.30 / - 0.10 | 12.30 ± 1.0 |
| | (inch) | 0.069 ± 0.004 | 0.138 ± 0.004 | 0.157 ± 0.004 | 0.157 ± 0.004 | 0.079 ± 0.004 | 0.315 + 0.012 / - 0.004 | 0.484 ± 0.039 |

SMD Schottky Barrier Diode Arrays



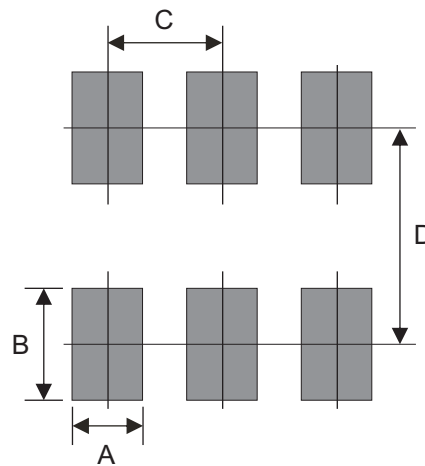
Marking Code

| Part Number | Marking Code |
|-----------------|--------------|
| CDBV6-00340TI-G | 731 |



Suggested PAD Layout

| SIZE | SOT-363 | |
|------|---------|--------|
| | (mm) | (inch) |
| A | 0.40 | 0.016 |
| B | 0.80 | 0.031 |
| C | 0.65 | 0.026 |
| D | 1.94 | 0.076 |



Standard Packaging

| Case Type | REEL PACK | |
|-----------|--------------|------------------|
| | REEL (pcs) | Reel Size (inch) |
| SOT-363 | 3,000 | 7 |