

Excellent Integrated System Limited

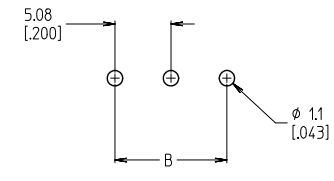
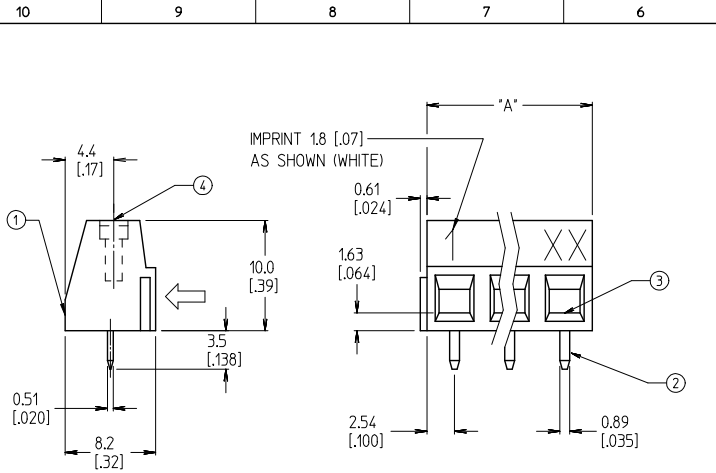
Stocking Distributor

Click to view price, real time Inventory, Delivery & Lifecycle Information:

[Molex Connector Corporation](#)
[0398804307](#)

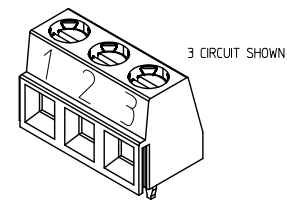
For any questions, you can email us directly:

sales@integrated-circuit.com



- NOTES:
1. MATERIAL: SEE TABLE
 2. FINISHES: SEE TABLE
 3. ELECTRICAL SPECS
VOLTAGE: 300V
CURRENT: 13.5A
 4. UL FILE: E48521
 5. ASSEMBLY IS ROHS COMPLIANT
 6. INCH DIMS ARE SHOWN IN BRACKETS [XXX].

NO. OF CIRCUITS "XX"	MATERIAL NO. 10A PRINTING GREEN	MATERIAL NO. 10A PRINTING BLACK	MATERIAL NO. NO PRINTING (GREEN)	MATERIAL NO. NO PRINTING (BLACK)	DIM. "A"	DIM. "B"
02		398820302	398804302	398800302	10.2 [4.0]	5.08 [2.00]
03		398820303	398804303	398800303	15.2 [6.0]	10.16 [4.00]
04		398820304	398804304	398800304	20.3 [8.0]	15.24 [6.00]
05			398804305	398800305	25.4 [1.00]	20.32 [8.00]
06			398804306	398800306	30.5 [1.20]	25.40 [10.00]
07			398804307	398800307	35.6 [1.40]	30.48 [12.00]
08	398890045		398804308	398800308	40.6 [1.60]	35.56 [14.00]
09			398804309	398800309	45.7 [1.80]	40.64 [16.00]
10			398804310	398800310	50.8 [2.00]	45.72 [18.00]
11			398804311	398800311	55.9 [2.20]	50.80 [2.00]
12			398804312	398800312	61.0 [2.40]	55.88 [2.20]
13			398804313	398800313	66.0 [2.60]	60.96 [2.40]
14			398804314	398800314	71.1 [2.80]	66.04 [2.60]
15			398804315	398800315	76.2 [3.00]	71.12 [2.80]
16			398804316	398800316	81.3 [3.20]	76.20 [3.00]
17			398804317	398800317	86.4 [3.40]	81.28 [3.20]
18			398804318	398800318	91.4 [3.60]	86.36 [3.40]
19			398804319	398800319	96.5 [3.80]	91.44 [3.60]
20			398804320	398800320	101.6 [4.00]	96.52 [3.80]
21			398804321	398800321	106.7 [4.20]	101.60 [4.00]
22			398804322	398800322	111.8 [4.40]	106.68 [4.20]
23			398804323	398800323	116.8 [4.60]	111.76 [4.40]
24			398804324	398800324	121.9 [4.80]	116.84 [4.60]
25			398804325	398800325	127.0 [5.00]	121.92 [4.80]



ITEM	QTY.	DESCRIPTION	MATERIAL	FINISH	P/N WAS 398890028 EC NO: PG2015-0984 2014/11/27 DORWINSTONE CHKOB ARDEN 2014/11/25 APPR: JFURPHY 2015/04/22	QUALITY SYMBOLS ▽=0 ▽=0	GENERAL TOLERANCES (UNLESS SPECIFIED)		DIMENSION STYLE		SCALE	DESIGN UNITS	THIRD ANGLE PROJECTION	
							mm	INCH	MM/IN	DATE	INCH	INCH	INCH	
4	XX	SCREW, M3	COPPER ALLOY	NICKEL PLATED			4 PLACES ± --- ± ---	CLYORK	2010/01/26	5.08/200 EUROSTYLE LOW, SINGLE ROW FIXED BLOCK	MOLEX INCORPORATED	SD-39880-003	SHEET NO. 1 OF 1	
3	XX	CAGE CLAMP	COPPER ALLOY	NICKEL PLATED			3 PLACES ± --- ± .005	CHECKED BY	DATE					
2	XX	TERMINAL, PC	COPPER ALLOY	TIN PLATED			2 PLACES ± 0.13 ± .010	DTITUS	2010/01/26					
1	1	INSULATOR	POLYAMIDE	BLACK			1 PLACE ± 0.3 ± ---	APPROVED BY	DATE					
							ANGULAR ± 2 °		DTITUS	2010/02/01				
							DRAFT WHERE APPLICABLE MUST REMAIN WITHIN DIMENSIONS		MATERIAL NO. SEE CHART		DOCUMENT NO.			
									SIZE B		THIS DRAWING CONTAINS INFORMATION THAT IS PROPRIETARY TO MOLEX INCORPORATED AND SHOULD NOT BE USED WITHOUT WRITTEN PERMISSION			