

## Excellent Integrated System Limited

Stocking Distributor

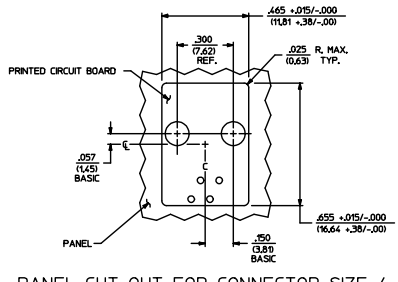
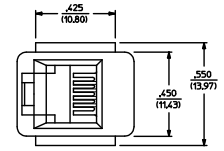
Click to view price, real time Inventory, Delivery & Lifecycle Information:

[Molex Connector Corporation](#)  
[0424108552](#)

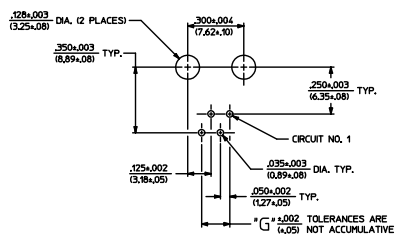
For any questions, you can email us directly:  
[sales@integrated-circuit.com](mailto:sales@integrated-circuit.com)

NOTES:  
 1) MATERIALS: HOUSING PARTS ARE MADE OF POLYESTER, RATED UL 94 V-0, COLOR IS BLACK; TERMINALS ARE .015(0.38) THICK PHOSPHOR BRONZE.  
 2) TERMINAL PLATING OPTIONS PER ES-88-\*\*\*\*:  
 A - SELECT GOLD IN CONTACT AREA: 50 MICRONS MIN.  
 SELECT MATTE TIN IN PC TAIL AREA: 100 MICRONS MIN.  
 WITH OVERALL NICKEL UNDERPLATE: 50 MICRONS MIN.  
 3) THESE MODULAR JACKS MEET THE PERFORMANCE REQUIREMENTS OF MOLEX PRODUCT SPECIFICATION PS-42410.  
 4) CONNECTORS ARE TO BE PACKED IN THERMOFORMED TRAYS, PER PACKAGING SPECIFICATION PK-42410-492.  
 5) ALL JACKS ARE DESIGNED TO BE USED WITH .062(1.57) OR .025(0.63) THICK P.C. BOARDS.  
 6) ALL JACKS CONFORM TO AND ACCEPT PLUGS WHICH CONFORM TO FCC RULES AND REGULATIONS PART 68, SUBPART F, WHEN PLATED WITH 50 MICRONS GOLD.  
 7) ALL JACKS MUST BE CAPABLE OF FITTING INTO MOLEX GAGE G-42410 (CONNECTOR SIZE 4).  
 8) SEE SHEETS 2 & 4 FOR CONNECTOR SIZE 6.  
 9) SEE SHEETS 3 & 4 FOR CONNECTOR SIZE 8.  
 10) SEE SHEET 4 FOR ASSEMBLY ITEM NUMBERS.  
 11) PART CONFORMS TO CLASS 'B' REQUIREMENTS OF COSMETIC SPECIFICATION PS-45499-002.  
 12) ENGRAVED NUMBERS ON HOUSING BODY ARE FOR MOLDING IDENTIFICATION ONLY. THEY ARE NOT INTENDED FOR ASSEMBLY IDENTIFICATION PURPOSES.  
 13) ALL UNTOLERANCED DIMENSIONS ARE SHOWN FOR REFERENCE ONLY.

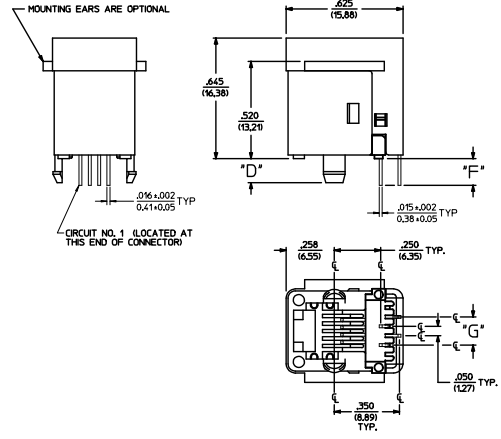
P.C. BOARD THICKNESS	DIM. 'D' (MTG. PEGS)	DIM. 'F' (P.C. TAILS)	CONNECTOR SIZE	CIRCUIT SIZE	DIM. 'G'
0.062"	.128 (3.25)	.120 +.015/-.025 (3.05 +.38/-.63)	4	4	.150 (3.81)
0.125"	.191 (4.85)	.205 +.015/-.025 (5.21 +.38/-.63)	4	2	.090 (2.27)



PANEL CUT-OUT FOR CONNECTOR SIZE 4



P.C. BOARD LAYOUT FOR CONNECTOR SIZE 4  
 VIEWED FROM COMPONENT SIDE



SIZE 4 MODULAR JACK LOADED WITH 4 TERMINALS SHOWN ABOVE  
 (SEE SHEET 4 FOR PART NUMBER AVAILABILITY)

QUALITY SYMBOLS	GENERAL TOLERANCES (UNLESS SPECIFIED)	DIMENSION STYLE		SCALE	DESIGN UNITS	THIRD ANGLE PROJECTION
		IN/MM	INCH			
▽=0	4 PLACES ±.010	IN	INCH	4:1	INCH	ASSEMBLY, VERTICAL MODULAR JACKS
▽=0	3 PLACES ±.010	MM	INCH			
▽=0	2 PLACES ±0.25	IN	INCH			
▽=0	1 PLACE ±	MM	INCH			
▽=0	0 PLACE ±	IN	INCH			

LABEL PCB LAYOUT	QUALITY SYMBOLS	GENERAL TOLERANCES (UNLESS SPECIFIED)	DIMENSION STYLE	SCALE	DESIGN UNITS	THIRD ANGLE PROJECTION
EC NO. UEP205-2536	▽=0	4 PLACES ±.010	IN/MM	4:1	INCH	ASSEMBLY, VERTICAL MODULAR JACKS
DRWNING/DTN 2815/02/14	▽=0	3 PLACES ±.010	IN/MM			
CHK/RELL 2815/02/14	▽=0	2 PLACES ±0.25	IN/MM			
APP/PS/SM 2012/02/14	▽=0	1 PLACE ±	IN/MM			
REV		0 PLACE ±	IN/MM			

DATE	2012/02/14	DRAWN BY	DATE	1990/10/12
DATE	2012/02/14	CHECKED BY	DATE	1990/10/12
DATE	2012/02/14	APPROVED BY	DATE	1990/10/12

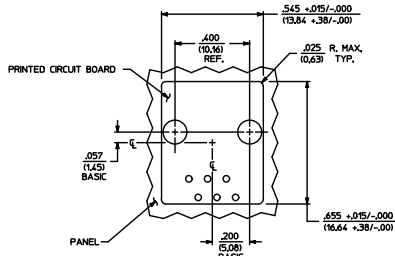
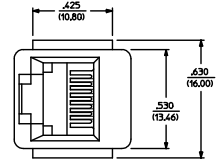
  

ANGULAR ±1/2°	MATERIAL NR.	DOCUMENT NR.
SEE SHEET 4	SDA-42410-****	SHEET NO. 1 OF 4

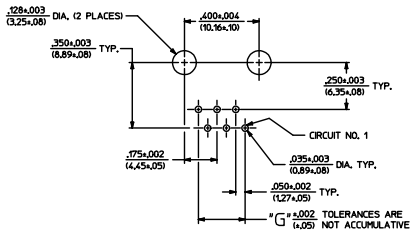
- NOTES:
- MATERIALS: HOUSING PARTS ARE MADE OF POLYESTER, RATED ULL 94 V-0, COLOR IS BLACK, TERMINALS ARE .015/(0.38) THICK PHOSPHOR BRONZE.
  - TERMINAL PLATING OPTIONS PER ES-88-\*\*\*\*:
    - SELECT GOLD IN CONTACT AREA: 50 MICRONS MIN. SELECT MATTE TIN IN PC TAIL AREA: 100 MICRONS MIN. WITH OVERALL NICKEL UNDERPLATE: 50 MICRONS MIN.
    - SELECT GOLD IN CONTACT AREA: 15 MICRONS MIN. SELECT MATTE TIN IN PC TAIL AREA: 100 MICRONS MIN. WITH OVERALL NICKEL UNDERPLATE: 50 MICRONS MIN.
  - THESE MODULAR JACKS MEET THE PERFORMANCE REQUIREMENTS OF MOLEX PRODUCT SPECIFICATION PS-42410.
  - CONNECTORS ARE TO BE PACKED IN THERMOFORMED TRAYS, PER PACKAGING SPECIFICATION PK-42410-49Z.
  - ALL JACKS ARE DESIGNED TO BE USED WITH .062/(1.57) OR .051/(1.31) THICK P.C. BOARDS.
  - ALL JACKS CONFORM TO AND ACCEPT PLUGS WHICH CONFORM TO FCC RULES AND REGULATIONS PART 68, SUBPART F, WHEN PLATED WITH 50 MICRONS GOLD.
  - ALL JACKS MUST BE CAPABLE OF FITTING INTO MOLEX GAGE G-42410 (CONNECTOR SIZE 4).
  - SEE SHEETS 1 & 4 FOR CONNECTOR SIZE 4.
  - SEE SHEETS 3 & 4 FOR CONNECTOR SIZE 8.
  - SEE SHEET 4 FOR ASSEMBLY ITEM NUMBERS.
  - PART CONFORMS TO CLASS "B" REQUIREMENTS OF COSMETIC SPECIFICATION PS-5499-002.
  - ENGRAVED NUMBERS ON HOUSING BODY ARE FOR HOLDING IDENTIFICATION ONLY. THEY ARE NOT INTENDED FOR ASSEMBLY IDENTIFICATION PURPOSES.
  - ALL UNTOLERANCED DIMENSIONS ARE SHOWN FOR REFERENCE ONLY.

P.C. BOARD THICKNESS	DIM. "D" (MTG. PEGS)	DIM. "F" (P.C. TAILS)
0.062/(1.57)	.128 (3.25)	.120 +.015/-.025 (3.05 +.38/- .63)
0.125/(3.18)	.191 (4.85)	.205 +.015/-.025 (5.21 +.38/- .63)

CONNECTOR SIZE	CIRCUIT SIZE	DIM. "G"
6	6	.250 (6.35)
6	4	.150 (3.81)
6	2	.050 (1.27)

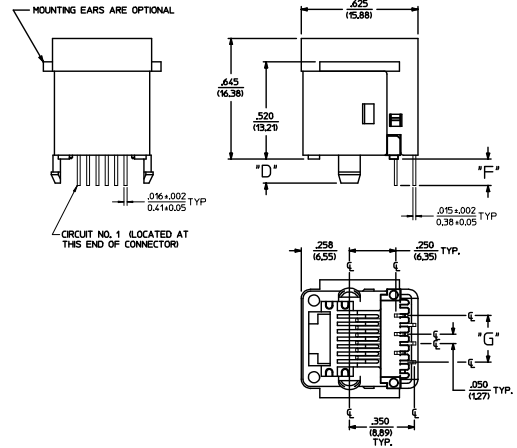


PANEL CUT-OUT FOR CONNECTOR SIZE 6



P.C. BOARD LAYOUT FOR CONNECTOR SIZE 6

VIEWED FROM COMPONENT SIDE



SIZE 6 MODULAR JACK LOADED WITH 6 TERMINALS SHOWN ABOVE

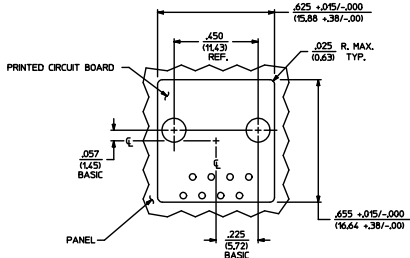
(SEE SHEET 4 FOR PART NUMBER AVAILABILITY)

QUALITY SYMBOLS	GENERAL TOLERANCES (UNLESS SPECIFIED)		DIMENSION STYLE		SCALE	DESIGN UNITS	THIRD ANGLE PROJECTION
	mm	INCH	IN/MM	INCH			
∇=0	4 PLACES	± .010	DRAWN BY	DATE	4:1	INCH	ASSEMBLY, VERTICAL MODULAR JACKS
∇=0	3 PLACES	± .010	DLT	1990/10/12			
∇=0	2 PLACES	± 0.25	CHECKED BY	DATE			
∇=0	1 PLACE	± .010	BAP	1990/10/12			
∇=0	0 PLACE	± .010	APPROVED BY	DATE	molex		SHEET NO. 2 OF 4
ANGULAR ±1/2°		DATE	2012/02/14	DOCUMENT NO. SDA-42410-****			
DRAFT WHERE APPLICABLE MUST REMAIN WITHIN DIMENSIONS							
SIZE D THIS DRAWING CONTAINS INFORMATION THAT IS PROPRIETARY TO MOLEX INCORPORATED AND SHOULD NOT BE USED WITHOUT WRITTEN PERMISSION							

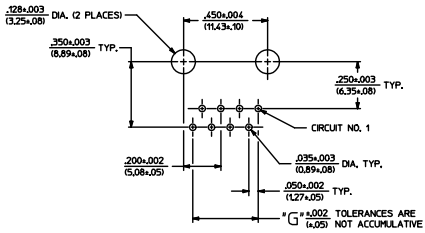
NOTES:  
 1) MATERIALS: HOUSING PARTS ARE MADE OF POLYESTER, RATED UL, 94 V-0, COLOR IS BLACK; TERMINALS ARE .015(0.38) THICK PHOSPHOR BRONZE.  
 2) TERMINAL PLATING OPTIONS PER ES-88-444-:  
 A - SELECT GOLD IN CONTACT AREA; 50 MICRONS MIN. SELECT MATTE TIN IN PC TAIL AREA; 100 MICRONS MIN. WITH OVERALL NICKEL UNDERPLATE; 50 MICRONS MIN.  
 3) THESE MODULAR JACKS MEET THE PERFORMANCE REQUIREMENTS OF MOLEX PRODUCT SPECIFICATION PS-42410.  
 4) CONNECTORS ARE TO BE PACKED IN THERMOFORMED TRAYS, PER PACKAGING SPECIFICATION PK-42410-492.  
 5) ALL JACKS ARE DESIGNED TO BE USED WITH .062(1.57) OR .125(3.18) THICK P.C. BOARDS.  
 6) ALL JACKS CONFORM TO AND ACCEPT PLUGS WHICH CONFORM TO FCC RULES AND REGULATIONS PART 68, SUBPART F, WHEN PLATED WITH 50 MICRONS OF GOLD.  
 7) ALL JACKS MUST BE CAPABLE OF FITTING INTO MOLEX GAGE G-42410 (CONNECTOR SIZE 4).  
 8) SEE SHEETS 1 & 4 FOR CONNECTOR SIZE 4.  
 9) SEE SHEETS 2 & 4 FOR CONNECTOR SIZE 6.  
 10) SEE SHEET 4 FOR ASSEMBLY ITEM NUMBERS.  
 11) PART CONFORMS TO CLASS "B" REQUIREMENTS OF COSMETIC SPECIFICATION PS-45499-002.  
 12) ENGRAVED NUMBERS ON HOUSING BODY ARE FOR MOLDING IDENTIFICATION ONLY. THEY ARE NOT INTENDED FOR ASSEMBLY IDENTIFICATION PURPOSES.  
 13) ALL UNTOLERANCED DIMENSIONS ARE SHOWN FOR REFERENCE ONLY.

P.C. BOARD THICKNESS	DIM. "D" (MTG. PEGS)	DIM. "F" (P.C. TAILS)
.062(1.57)	.128 (3.25)	.120 +.015/-.025 (3.05 +.38/- .63)
.125(3.18)	.191 (4.85)	.205 +.015/-.025 (5.21 +.38/- .63)

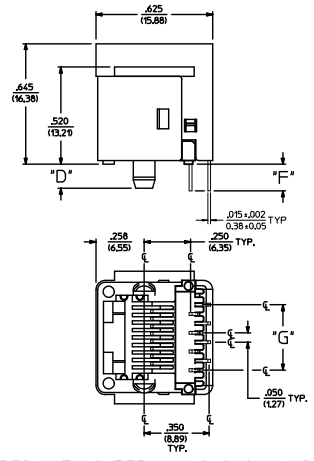
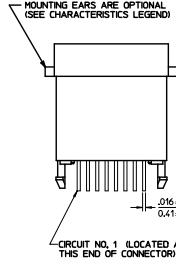
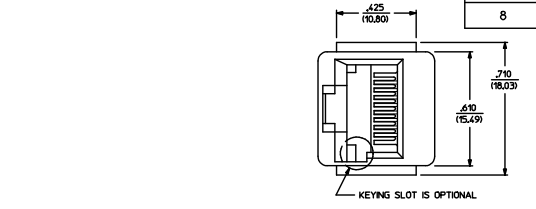
CONNECTOR SIZE	CIRCUIT SIZE	DIM. "G"
8	8	.350 (8.89)
8	6	.250 (6.35)
8	4	.150 (3.81)
8	2	.050 (1.27)



PANEL CUT-OUT FOR CONNECTOR SIZE 8



P.C. BOARD LAYOUT FOR CONNECTOR SIZE 8  
 VIEWED FROM COMPONENT SIDE



SIZE 8 MODULAR JACK LOADED WITH 8 TERMINALS SHOWN ABOVE  
 (SEE SHEET 4 FOR PART NUMBER AVAILABILITY)

QUALITY SYMBOLS	GENERAL TOLERANCES (UNLESS SPECIFIED)		DIMENSION STYLE		SCALE	DESIGN UNITS	THIRD ANGLE PROJECTION
	mm	INCH	IN/MM	INCH			
∇=0	4 PLACES	±.010	DRAWN BY	DATE	4:1	INCH	ASSEMBLY; VERTICAL MODULAR JACKS
∇=0	3 PLACES	±.010	DLT	1990/10/12			
∇=0	2 PLACES	±.025	CHECKED BY	DATE			
∇=0	1 PLACE	±.050	DAP	1990/10/12			
∇=0	0 PLACE	±.100	APPROVED BY	DATE	molex		SHEET NO. 3 OF 4
ANGULAR ±1/2°		±	FSMITH	2012/02/14	DOCUMENT NO. SDA-42410-****		
DRAFT WHERE APPLICABLE MUST REMAIN WITHIN DIMENSIONS							
SEE SHEET 4 FOR PART NUMBER AVAILABILITY							
THIS DRAWING CONTAINS INFORMATION THAT IS PROPRIETARY TO MOLEX INCORPORATED AND SHOULD NOT BE USED WITHOUT WRITTEN PERMISSION							

SIZE 4 VERTICAL MODJACK ASSEMBLIES					
PART CHARACTERISTICS					
ASSEMBLY ITEM NUMBER	EXTERNAL CONNECTOR SIZE	NUMBER OF POSITIONS	P.C. BOARD THICKNESS	MOUNTING EARS OPTION	TERMINAL PLATING OPTION
42410-4168	4 POS. BODY	4	.062(1/57)	YES	A
42410-4170	↓	↓	.062(1/57)	NO	A
42410-4264	↓	↓	.125(3/16)	YES	A
42410-4266	4 POS. BODY	4	.125(3/16)	NO	A
42410-4312	4 POS. BODY	2	.062(1/57)	YES	A
42410-4314	↓	↓	.062(1/57)	NO	A
42410-4408	↓	↓	.125(3/16)	YES	A
42410-4410	4 POS. BODY	2	.125(3/16)	NO	A

SIZE 6 VERTICAL MODJACK ASSEMBLIES					
PART CHARACTERISTICS					
ASSEMBLY ITEM NUMBER	EXTERNAL CONNECTOR SIZE	NUMBER OF POSITIONS	P.C. BOARD THICKNESS	MOUNTING EARS OPTION	TERMINAL PLATING OPTION
42410-6168	6 POS. BODY	6	.062(1/57)	YES	A
42410-6170	↓	↓	.062(1/57)	NO	A
42410-6264	↓	↓	.125(3/16)	YES	A
42410-6266	6 POS. BODY	6	.125(3/16)	NO	A
42410-6312	6 POS. BODY	4	.062(1/57)	YES	A
42410-6314	↓	↓	.062(1/57)	NO	A
42410-6320	↓	↓	.062(1/57)	YES	B
42410-6408	↓	↓	.125(3/16)	YES	A
42410-6410	6 POS. BODY	4	.125(3/16)	NO	A
42410-6456	6 POS. BODY	2	.062(1/57)	YES	A
42410-6458	↓	↓	.062(1/57)	NO	A
42410-6552	↓	↓	.125(3/16)	YES	A
42410-6554	6 POS. BODY	2	.125(3/16)	NO	A

SIZE 8 VERTICAL MODJACK ASSEMBLIES						
PART CHARACTERISTICS						
ASSEMBLY ITEM NUMBER	EXTERNAL CONNECTOR SIZE	NUMBER OF POSITIONS	P.C. BOARD THICKNESS	KEYING OPTION	MOUNTING EARS OPTION	TERMINAL PLATING OPTION
42410-8312	8 POS. BODY	8	.062(1/57)	NO	YES	A
42410-8314	↓	↓	.062(1/57)	NO	NO	A
42410-8360	↓	↓	.062(1/57)	YES	YES	A
42410-8362	↓	↓	.062(1/57)	YES	NO	A
42410-8504	↓	↓	.125(3/16)	NO	YES	A
42410-8506	↓	↓	.125(3/16)	NO	NO	A
42410-8552	↓	↓	.125(3/16)	YES	YES	A
42410-8554	8 POS. BODY	8	.125(3/16)	YES	NO	A
42410-8600	8 POS. BODY	6	.062(1/57)	NO	YES	A
42410-8602	↓	↓	.062(1/57)	NO	NO	A
42410-8648	↓	↓	.062(1/57)	YES	YES	A
42410-8650	↓	↓	.062(1/57)	YES	NO	A
42410-8792	↓	↓	.125(3/16)	NO	YES	A
42410-8794	↓	↓	.125(3/16)	NO	NO	A
42410-8840	↓	↓	.125(3/16)	YES	YES	A
42410-8842	8 POS. BODY	6	.125(3/16)	YES	NO	A
42410-8888	8 POS. BODY	4	.062(1/57)	NO	YES	A
42410-8890	↓	↓	.062(1/57)	NO	NO	A
42410-8936	↓	↓	.062(1/57)	YES	YES	A
42410-8938	↓	↓	.062(1/57)	YES	NO	A
42410-9080	↓	↓	.125(3/16)	NO	YES	A
42410-9082	↓	↓	.125(3/16)	NO	NO	A
42410-9128	↓	↓	.125(3/16)	YES	YES	A
42410-9130	8 POS. BODY	4	.125(3/16)	YES	NO	A
42410-9176	8 POS. BODY	2	.062(1/57)	NO	YES	A
42410-9178	↓	↓	.062(1/57)	NO	NO	A
42410-9224	↓	↓	.062(1/57)	YES	YES	A
42410-9226	↓	↓	.062(1/57)	YES	NO	A
42410-9368	↓	↓	.125(3/16)	NO	YES	A
42410-9370	↓	↓	.125(3/16)	NO	NO	A
42410-9416	↓	↓	.125(3/16)	YES	YES	A
42410-9418	8 POS. BODY	2	.125(3/16)	YES	NO	A

SEE SHEET 1 EC NO. 167205-2536 2015/07/24 ZDR/ANN/07EN CHK/DBELL 2015/07/24 APRES/SM 2015/07/24 REV. 1	QUALITY SYMBOLS ∇=0 ∇=0 ∇=0	GENERAL TOLERANCES (UNLESS SPECIFIED) 4 PLACES +--- - 3 PLACES +--- ±.010 2 PLACES ± 0.25 +--- 1 PLACE +--- - 0 PLACE ±	DIMENSION STYLE IN/MM DRAWN BY: GLT DATE: 1990/10/12 CHECKED BY: BAP DATE: 1990/10/12 APPROVED BY: FSM/TH DATE: 2012/02/14	SCALE 1:1 DESIGN UNITS INCH THIRD ANGLE PROJECTION	TITLE ASSEMBLY, VERTICAL MODULAR JACKS	MATERIAL NO. SEE CHART	DOCUMENT NO. SDA-42410-****	SHEET NO. 4 OF 4
	DRAFT WHERE APPLICABLE MUST REMAIN WITHIN DIMENSIONS							
	THIS DRAWING CONTAINS INFORMATION THAT IS PROPRIETARY TO MOLEX INCORPORATED AND SHOULD NOT BE USED WITHOUT WRITTEN PERMISSION							