

## Excellent Integrated System Limited

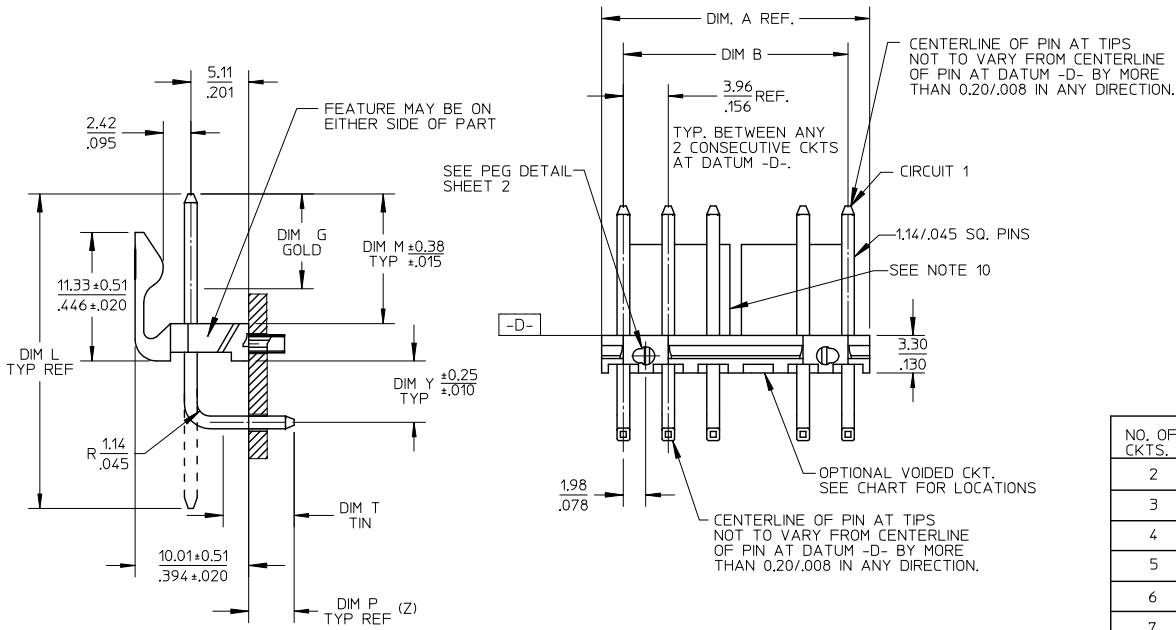
Stocking Distributor

Click to view price, real time Inventory, Delivery & Lifecycle Information:

[Molex Connector Corporation](#)  
[0428920083](#)

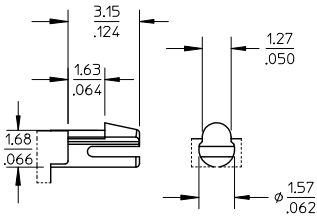
For any questions, you can email us directly:

[sales@integrated-circuit.com](mailto:sales@integrated-circuit.com)

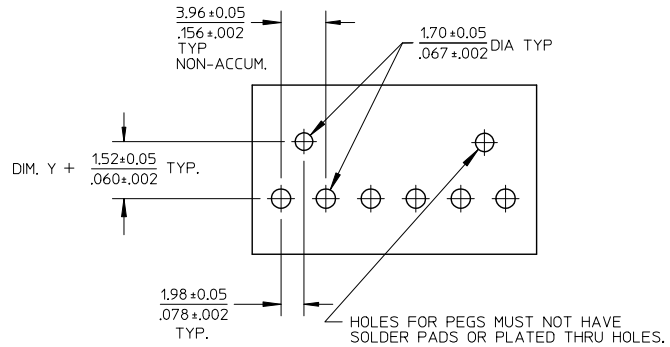


NO. OF CKTS.	DIM. A	DIM. B	SLOT LOC BETWEEN CKTS
2	7.77 .306	3.96±0.05 .156±0.002	NONE
3	11.73 .462	7.92±0.08 .312±0.003	NONE
4	15.70 .618	11.89±0.08 .468±0.003	NONE
5	19.66 .774	15.85±0.10 .624±0.004	NONE
6	23.62 .930	19.81±0.10 .780±0.004	3 & 4
7	27.58 1.086	23.77±0.10 .936±0.004	4 & 5
8	31.55 1.242	27.74±0.13 1.092±0.005	4 & 5
9	35.51 1.398	31.70±0.13 1.248±0.005	5 & 6
10	39.47 1.554	35.66±0.13 1.404±0.005	5 & 6
11	43.43 1.710	39.62±0.15 1.560±0.006	6 & 7
12	47.40 1.866	43.59±0.15 1.716±0.006	4 & 5 8 & 9

DIMENSION M IEC NO: UCP2013-1786 DRWN:MMSTROH 2012/11/05 CHKD:KK IPPER 2012/11/07 APPR:FSM,TH 2012/11/06 H2 REV	QUALITY SYMBOLS ▽=0 ▽=0 ▽=0	GENERAL TOLERANCES (UNLESS SPECIFIED) <table border="1"> <thead> <tr> <th></th> <th>mm</th> <th>INCH</th> </tr> </thead> <tbody> <tr> <td>4 PLACES</td> <td>± ---</td> <td>± ---</td> </tr> <tr> <td>3 PLACES</td> <td>± ---</td> <td>± .010</td> </tr> <tr> <td>2 PLACES</td> <td>± 0.25</td> <td>± .015</td> </tr> <tr> <td>1 PLACE</td> <td>± 0.38</td> <td>± ---</td> </tr> <tr> <td>0 PLACE</td> <td>±</td> <td>±</td> </tr> </tbody> </table>		mm	INCH	4 PLACES	± ---	± ---	3 PLACES	± ---	± .010	2 PLACES	± 0.25	± .015	1 PLACE	± 0.38	± ---	0 PLACE	±	±	DIMENSION STYLE MM/IN DRAWN BY DATE SCHAFFER 12-12-03 CHECKED BY DATE SAMIEC 12-15-03 APPROVED BY DATE MARGULIS 12-19-03	SCALE 2:1 DESIGN UNITS INCH THIRD ANGLE PROJECTION	TITLE FRICTION LOCK HDR. ASSY. .156 BENT SQ PINS W/PEGS RT. ANGLE MOUNT <b>molex</b> DOCUMENT NO. SD-42892-001 SHEET NO. 1 OF *
		mm	INCH																				
	4 PLACES	± ---	± ---																				
	3 PLACES	± ---	± .010																				
2 PLACES	± 0.25	± .015																					
1 PLACE	± 0.38	± ---																					
0 PLACE	±	±																					
DRAFT WHERE APPLICABLE MUST REMAIN WITHIN DIMENSIONS		MATERIAL NO. SEE CHART	THIS DRAWING CONTAINS INFORMATION THAT IS PROPRIETARY TO MOLEX INCORPORATED AND SHOULD NOT BE USED WITHOUT WRITTEN PERMISSION																				
		ANGULAR ±1/2°																					
		DRAFT WHERE APPLICABLE MUST REMAIN WITHIN DIMENSIONS																					



PEG DETAIL



RECOMMENDED PC BOARD HOLE LAYOUT:  
COMPONENT SIDE FOR 1.57/.062 THICK PCB

FOR CORRECT ORIENTATION OF PARTS WITH  
VOIDS, ELIMINATE CORRESPONDING PCB HOLE.

NOTES:

- MATERIAL: HEADER-GLASS FILLED POLYESTER, 94V-0, MOLDED NATURAL WHITE  
PINS: BRASS
- FINISHES: (197) OVERALL REFLOWED MATTE TIN: 0.00152/.000060 MIN.  
OVER 0.00127/.000050 MIN. NICKEL OVERALL.  
(208) SELECT GOLD: 0.00038/.000015  
SELECT TIN: 0.00254/.000100  
OVERALL NICKEL UNDERPLATE: 0.00127/.000050  
(228) SELECT GOLD: 0.00076/.000030  
SELECT TIN: 0.00254/.000100  
OVERALL NICKEL UNDERPLATE: 0.00127/.000050  
(241) SELECT GOLD: 0.00051/.000020 MIN.  
SELECT TIN: 0.00254/.000100 MIN.  
OVERALL NICKEL UNDERPLATE: 0.00127/.000050 MIN.
- PRODUCT SPECIFICATION: SEE PS-08-50.
- PACKAGING INFO: SEE TABLES
- SOLDERABILITY: PER SMES-152
- PIN PUSH OUT FORCE: PRIOR TO SOLDERING, A 3 LB MINIMUM FORCE (IN EITHER DIRECTION) SHALL BE REQUIRED TO PUSH THE PIN OUT OF THE HEADER.  
PARTS ARE STACKABLE END TO END ON (3.96)/.156 CENTERS.
- FOR PART WITHOUT PEGS SEE DWG. NO. SDA-41792.
- THIS PART CONFORMS TO CLASS B REQUIREMENTS OF COSMETIC SPECIFICATION PS-45499-002.
- SLOTS ON BACKWALL ARE BETWEEN CIRCUITS. SEE CHART FOR LOCATION.

SEE SHEET 1 EC NO: UCP2013-1786 DRAWN:MMSTROH 2012/11/05 CHKD:MKIPPER 2012/11/07 APPR:FSMLTH 2012/11/06	DESCRIPTION	QUALITY SYMBOLS	GENERAL TOLERANCES (UNLESS SPECIFIED)		DIMENSION STYLE		SCALE	DESIGN UNITS	THIRD ANGLE PROJECTION	
		▽=0	mm	INCH	MM/IN		2:1	INCH	☉	
		▽=0	4 PLACES ± --- ± ---		DRAWN BY	DATE	TITLE			
		▽=0	3 PLACES ± --- ± .010		SCHAFFER	12-12-03	FRICTION LOCK HDR. ASSY. .156 BENT SQ PINS W/PEGS RT. ANGLE MOUNT			
		2 PLACES ± 0.25 ± .015		CHECKED BY	DATE	<b>molex</b>				
		1 PLACE ± 0.38 ± ---		SAMIEC	12-15-03					
		0 PLACE ± ±		APPROVED BY	DATE	DOCUMENT NO.		SHEET NO.		
				MARGULIS	12-19-03	SD-42892-001		2 OF *		
H2	REV		ANGULAR ±1/2°		MATERIAL NO.					
			DRAFT WHERE APPLICABLE MUST REMAIN WITHIN DIMENSIONS		SEE CHART					
					SIZE	THIS DRAWING CONTAINS INFORMATION THAT IS PROPRIETARY TO MOLEX INCORPORATED AND SHOULD NOT BE USED WITHOUT WRITTEN PERMISSION				
					A					