

Excellent Integrated System Limited

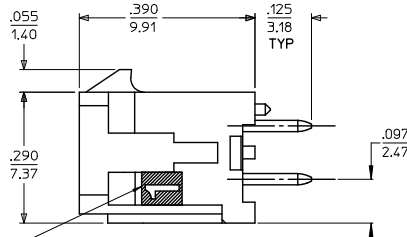
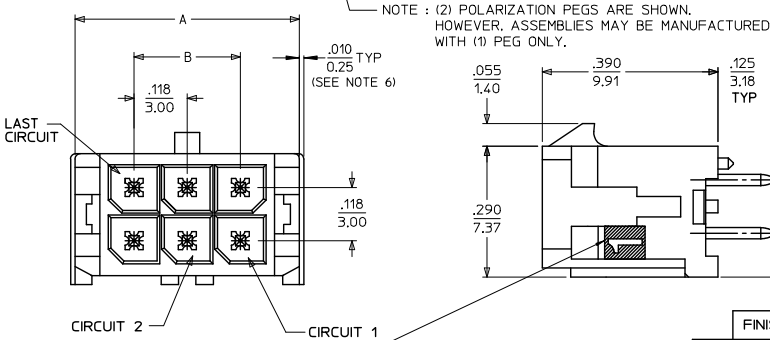
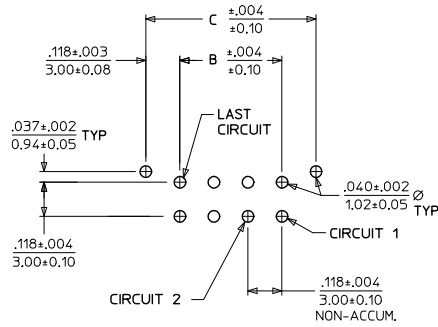
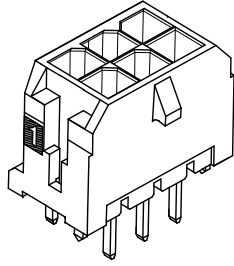
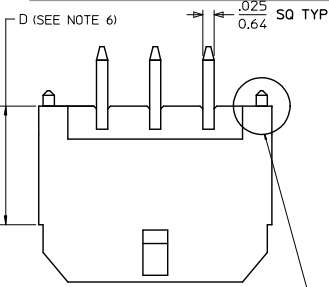
Stocking Distributor

Click to view price, real time Inventory, Delivery & Lifecycle Information:

[Molex Connector Corporation](#)
[0430451428](#)

For any questions, you can email us directly:

sales@integrated-circuit.com



| CKTS | A | B | C |
|------|----------------|----------------|----------------|
| 02 | .262 6.65 | NA | .236 6.00 |
| 04 | .380 9.65 | .118 3.00 | .354 9.00 |
| 06 | .498 12.65 | .236 6.00 | .472 12.00 |
| 08 | .616 15.65 | .354 9.00 | .591 15.00 |
| 10 | .734 18.65 | .472 12.00 | .709 18.00 |
| 12 | .852 21.65 | .591 15.00 | .827 21.00 |
| 14 | .970 24.65 | .709 18.00 | .945 24.00 |
| 16 | 1.088 27.65 | .827 21.00 | 1.063 27.00 |
| 18 | 1.206 30.65 | .945 24.00 | 1.181 30.00 |
| 20 | 1.325 33.65 | 1.063 27.00 | 1.299 33.00 |
| 22 | 1.443 36.65 | 1.181 30.00 | 1.417 36.00 |
| 24 | 1.561 39.65 | 1.299 33.00 | 1.535 39.00 |

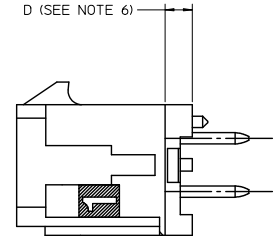
NOTE : (2) POLARIZATION PEGS ARE SHOWN. HOWEVER, ASSEMBLIES MAY BE MANUFACTURED WITH (1) PEG ONLY.

PCB LAYOUT: COMPONENT SIDE
RECOMMEND PCB THICKNESS: .062/157

NOTES:

- HOUSING MATERIAL: GLASS FILLED LIQUID CRYSTAL POLYMER, UL94V-0, COLOR-BLACK
TERMINAL MATERIAL: BRASS ALLOY
- FINISH: A = .000060/(0.00152) MIN. REFLOWED MATTE TIN OVER .000050/(0.00127) MIN. NICKEL PLATE. (FINISH IS BRIGHT IN APPEARANCE, THICKNESS AS APPLIED PRIOR TO REFLOW)
B = .000015/(0.00038) MIN. SELECT GOLD IN CONTACT AREA, .000100/(0.00254) MIN. SELECT MATTE TIN ON SOLDER TAILS, BOTH OVER .000050/(0.00127) MIN. NICKEL PLATE.
C = .000030/(0.00076) MIN. SELECT GOLD IN CONTACT AREA, .000100/(0.00254) MIN. SELECT MATTE TIN ON SOLDER TAILS, BOTH OVER .000050/(0.00127) MIN. NICKEL PLATE.
D = .000100/(0.00254) MIN. MATTE TIN OVER .000050/(0.00127) MIN. NICKEL PLATE.
- PRODUCT SPECIFICATION: PS-43045
- TRAY PACKAGED: SEE MOLEX DRAWING PK-70873-0314
- MATES WITH MICRO FIT (3.0) RECEPTACLE SERIES 43025
- CIRCUIT SIZES 2-6: "D" IS .265/6.74 FOR .010/0.25 STEP
CIRCUIT SIZES 8-24: "D" IS .063/1.60 FOR .010/0.25 STEP.
- THIS PART CONFORMS TO CLASS B REQUIREMENTS OF COSMETIC SPECIFICATION PS-45499-002.

| | FINISH A | FINISH B | FINISH C | FINISH D |
|------|--------------|--------------|--------------|--------------|
| CKTS | MATERIAL NO: | MATERIAL NO: | MATERIAL NO: | MATERIAL NO: |
| 02 | 43045-0227 | 43045-0228 | 43045-0229 | 43045-0298 |
| 04 | 43045-0427 | 43045-0428 | 43045-0429 | 43045-0498 |
| 06 | 43045-0627 | 43045-0628 | 43045-0629 | 43045-0698 |
| 08 | 43045-0827 | 43045-0828 | 43045-0829 | 43045-0898 |
| 10 | 43045-1027 | 43045-1028 | 43045-1029 | 43045-1098 |
| 12 | 43045-1227 | 43045-1228 | 43045-1229 | 43045-1298 |
| 14 | 43045-1427 | 43045-1428 | 43045-1429 | 43045-1498 |
| 16 | 43045-1627 | 43045-1628 | 43045-1629 | 43045-1698 |
| 18 | 43045-1827 | 43045-1828 | 43045-1829 | 43045-1898 |
| 20 | 43045-2027 | 43045-2028 | 43045-2029 | 43045-2098 |
| 22 | 43045-2227 | 43045-2228 | 43045-2229 | 43045-2298 |
| 24 | 43045-2427 | 43045-2428 | 43045-2429 | 43045-2498 |



| | | | | | | | |
|---|--------------------------------------|---------------------------------------|-----------------|--|--------------|------------------------|--|
| REVISE FINISH A EC NO: UCP2016-0464 2015/08/20 DRAWN: JPOX CHKD: SMOSEK APPROV: SMITH 2015/11/19 | QUALITY SYMBOLS ▽=0 ▽=0 ▽=0 | GENERAL TOLERANCES (UNLESS SPECIFIED) | DIMENSION STYLE | SCALE | DESIGN UNITS | THIRD ANGLE PROJECTION | |
| | | mm INCH | IN/MM | --- | METRIC | ⊙ | |
| | | 4 PLACES ± --- ± --- | DRAWN BY DATE | TITLE | | | |
| | | 3 PLACES ± --- ± .010 | CHECKED BY DATE | MICRO FIT (3.0) DUAL ROW VERTICAL THRU HOLE HEADER ASS'Y | | | |
| 2 PLACES ± 0.25 ± .014 | MUELLER 2000/03/15 | molex | | | | | |
| 1 PLACE ± 0.36 ± --- | APPROVED BY DATE | | | | | | |
| 0 PLACE ± ± | EDGELEY 2000/03/15 | MATERIAL NO. | DOCUMENT NO. | SHEET NO. | | | |
| DRAFT WHERE APPLICABLE MUST REMAIN WITHIN DIMENSIONS | | SEE CHART | SD-43045-010 | 1 OF 1 | | | |
| THIS DRAWING CONTAINS INFORMATION THAT IS PROPRIETARY TO MOLEX INCORPORATED AND SHOULD NOT BE USED WITHOUT WRITTEN PERMISSION | | | | | | | |