

Excellent Integrated System Limited

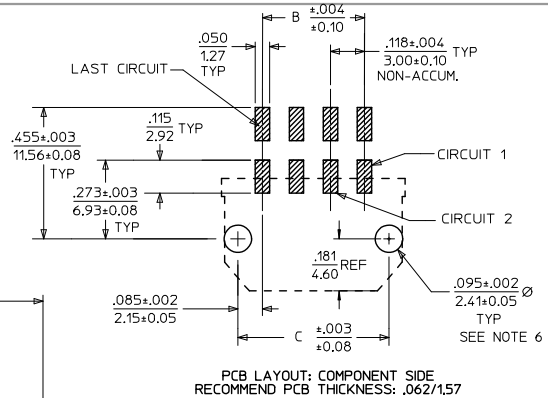
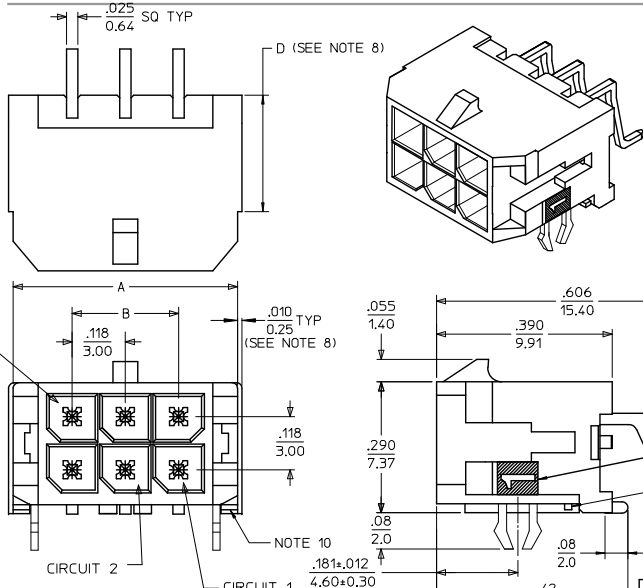
Stocking Distributor

Click to view price, real time Inventory, Delivery & Lifecycle Information:

[Molex Connector Corporation](#)
[0430451807](#)

For any questions, you can email us directly:

sales@integrated-circuit.com

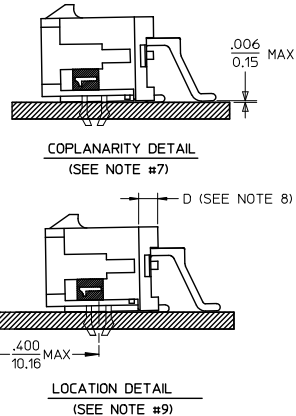


CKTS	A	B	C
02	.262		.169
	6.65	NA	4.30
04	.380	.118	.287
	9.65	3.00	7.30
06	.498	.236	.405
	12.65	6.00	10.30
08	.616	.354	.524
	15.65	9.00	13.30
10	.734	.472	.642
	18.65	12.00	16.30
12	.852	.591	.760
	21.65	15.00	19.30
14	.970	.709	.878
	24.65	18.00	22.30
16	1.088	.827	.996
	27.65	21.00	25.30
18	1.206	.945	1.114
	30.65	24.00	28.30
20	1.325	1.063	1.232
	33.65	27.00	31.30
22	1.443	1.181	1.350
	36.65	30.00	34.30
24	1.561	1.299	1.469
	39.65	33.00	37.30

NOTES:

- HOUSING MATERIAL: GLASS FILLED LIQUID CRYSTAL POLYMER, UL94V-0. COLOR: BLACK
- TERMINAL MATERIAL: BRASS ALLOY
- FINISH: A = .000060/(0.00152) MIN. REFLOWED MATTE TIN OVER .000050/(0.00127) MIN. NICKEL PLATE. (FINISH IS BRIGHT IN APPEARANCE. THICKNESS AS APPLIED PRIOR TO REFLOW).
- B = .000015/(0.00038) MIN. SELECT GOLD IN CONTACT AREA, .000100/(0.00254) MIN. SELECT MATTE TIN ON SOLDER TAILS, BOTH OVER .000050/(0.00127) MIN. NICKEL PLATE.
- C = .000030/(0.00076) MIN. SELECT GOLD IN CONTACT AREA, .000100/(0.00254) MIN. SELECT MATTE TIN ON SOLDER TAILS, BOTH OVER .000050/(0.00127) MIN. NICKEL PLATE.
- D = .000100/(0.00254) MIN. MATTE TIN OVER .000050/(0.00127) MIN. NICKEL PLATE.
- PRODUCT SPECIFICATION: PS-43045
- TAPE AND REEL PACK: SEE MOLEX DRAWING PK-70873-05**
- MATES WITH MICRO FIT (3.0) RECEPTACLE SERIES 43025
- TO MINIMIZE INSERTION FORCE OF MOUNTING CLIPS DURING ROBOTIC PLACEMENT THE HOLE DIAMETER SHOULD BE INCREASED TO .108±.002 / 2.74±0.05 AND THEN EVALUATED PER PLACEMENT EQUIPMENT.
- THE COPLANARITY DIMENSION IS ESTABLISHED BY PLACING THE ASSEMBLY ON A FLAT SURFACE. THE DISTANCE FROM THAT SURFACE TO THE BOTTOM OF ANY TERMINAL MUST NOT EXCEED .006/0.15
- CIRCUIT SIZES 2-6: 'D' IS .265/6.74 FOR .010/0.25 STEP. CIRCUIT SIZES 8-24: 'D' IS .063/1.60 FOR .010/0.25 STEP.
- TO AVOID INTERFERENCE BETWEEN RECEPTACLE AND PCB, HEADER MUST BE PLACED WITHIN .400/(10.16) MAX. FROM EDGE OF PCB, AS SHOWN IN LOCATION DETAIL.
- METAL TAB MAY BE FLUSH WITH PCB.
- THIS PART CONFORMS TO CLASS B REQUIREMENTS OF COSMETIC SPECIFICATION PS-45499-002.

CKTS	MATERIAL NO:	FINISH A	VOID CKT	FINISH B	FINISH C	FINISH D
02	43045-0206			43045-0207	43045-0208	43045-0303
04	43045-0406			43045-0407	43045-0408	43045-0503
06	43045-0606			43045-0607	43045-0608	43045-0703
08	43045-0806			43045-0807	43045-0808	43045-0903
10	43045-1006			43045-1007	43045-1008	43045-1103
12	43045-1206			43045-1207	43045-1208	43045-1303
14	43045-1406			43045-1407	43045-1408	43045-1503
16	43045-1606			43045-1607	43045-1608	43045-1703
18	43045-1806			43045-1807	43045-1808	43045-1903
20	43045-2006			43045-2007	43045-2008	43045-2103
22	43045-2206			43045-2207	43045-2208	43045-2303
24	43045-2406			43045-2407	43045-2408	43045-2503
12	43045-9206		3.4 9.10			
16	43045-9606		4.5 12.13			



REVISE FINISH A REC NO: UCP2016-2797 DRAWN: S/AFTER 2016/01/15 CHK'D: J/DOX 2016/01/15 APPR: S/SMITH 2016/02/26 G5	QUALITY SYMBOLS □=0 ▽=0 ▽=0	GENERAL TOLERANCES (UNLESS SPECIFIED) mm INCH 4 PLACES ±.10 ±.010 3 PLACES ±.25 ±.014 2 PLACES ±.36 ±.014 1 PLACE ±.50 ±.014 0 PLACE ±.75 ±.014	DIMENSION STYLE IN/MM	SCALE ---	DESIGN UNITS METRIC	THIRD ANGLE PROJECTION	TITLE MICRO FIT (3.0) DUAL ROW RIGHT ANGLE SMT HEADER W/CLIPS ASS'Y	MATERIAL NO. SEE CHART	DOCUMENT NO. SD-43045-003	SHEET NO. 1 OF 1
	DRAFT WHERE APPLICABLE MUST REMAIN WITHIN DIMENSIONS									
	ANGLUAR ±1/2°									
	THIS DRAWING CONTAINS INFORMATION THAT IS PROPRIETARY TO MOLEX INCORPORATED AND SHOULD NOT BE USED WITHOUT WRITTEN PERMISSION									
	SIZE C									