

Excellent Integrated System Limited

Stocking Distributor

Click to view price, real time Inventory, Delivery & Lifecycle Information:

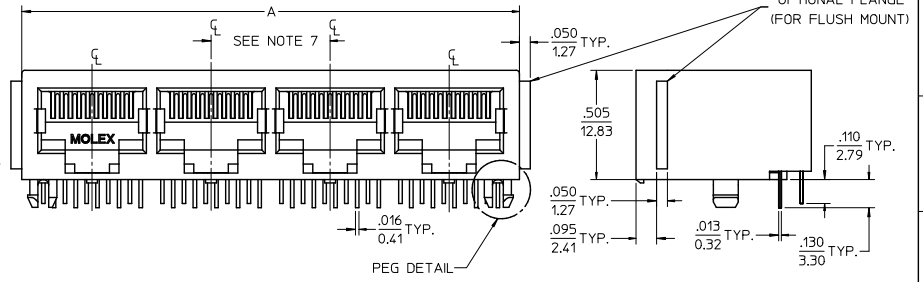
[Molex Connector Corporation](#)
[0432238007](#)

For any questions, you can email us directly:

sales@integrated-circuit.com

NOTES:

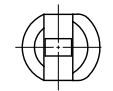
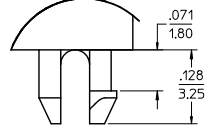
- MATERIAL:**
HOUSING: GLASS FILLED NYLON, UL94V-0, COLOR: BLACK
INSULATOR: GLASS FILLED NYLON, UL94V-0, COLOR: BLACK
TERMINALS: PHOSPHOR BRONZE: .012/ 0.30 THICK
- FINISH:**
TERMINALS:
SELECT GOLD IN CONTACT AREA: 50 MICROINCHES/ 1.27 MICROMETERS MIN.
*SELECT TIN IN PC TAIL AREA: 100 MICROINCHES/ 2.54 MICROMETERS MIN.
WITH OVERALL NICKEL UNDERPLATE: 50 MICROINCHES/ 1.27 MICROMETERS MIN.
*THE PRIMARY SHIPPING CARTON WILL BE LABELED "COMPLIANT TO RoHS DIRECTIVE 2002/95/EC AND ELV ANNEX II OF DIRECTIVE 2000/53/EC".
CARTONS WITHOUT THIS LABEL MAY CONTAIN PRODUCT WITH TIN-LEAD IN THE PC TAIL AREA.
- PRODUCT SPECIFICATION AND PROCESSING PARAMETERS:** PS-43223-001.
- PACKAGING SPECIFICATION:**
UNSHIELDED CONNECTOR ASSEMBLIES PACKAGED IN TRAYS PER MOLEX PACKAGING SPECIFICATION PK-43249-004.
- SEE SHEETS 4-6 FOR P.C. BOARD LAYOUTS.
- SEE SHEET 2 FOR THE SHIELDED JACK ASSEMBLY.
- FOR 6 CIRCUIT JACKS CENTERLINE TO CENTERLINE SPACING IS .448/ 11.38, FOR 8 CIRCUIT JACKS CENTERLINE TO CENTERLINE SPACING IS .550/ 13.97.
- ALL UNTOLERANCED DIMENSIONS ARE SHOWN FOR REFERENCE ONLY.
- THIS PART CONFORMS TO CLASS B REQUIREMENTS OF COSMETIC SPECIFICATION PS-45499-002.



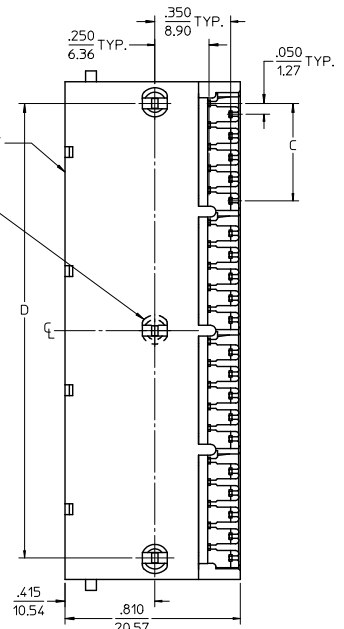
4 PORT 8 LOADED
10 JACK SHOWN

UNSHIELDED GANGED JACK ASSEMBLY
SEE SHEET 3

CENTER PEG
(8 PORT ASSY. ONLY)



SNAP-FIT
PEG DETAIL
SCALE 8:1



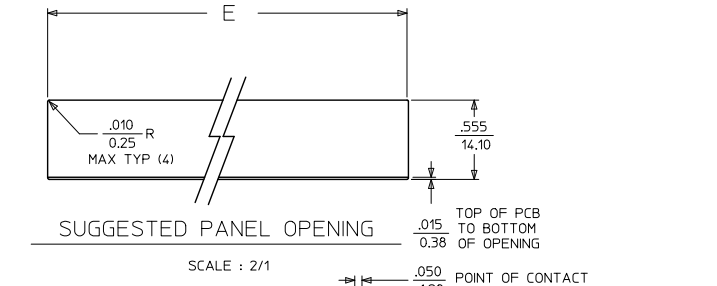
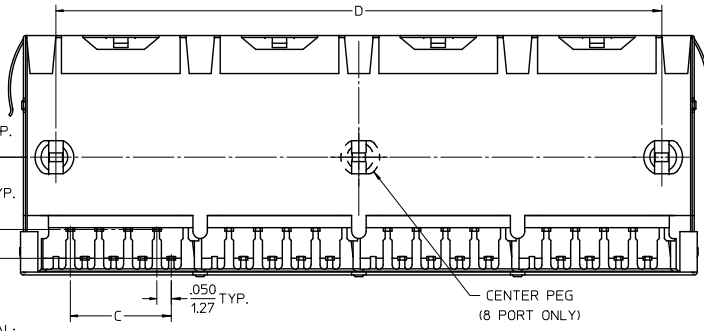
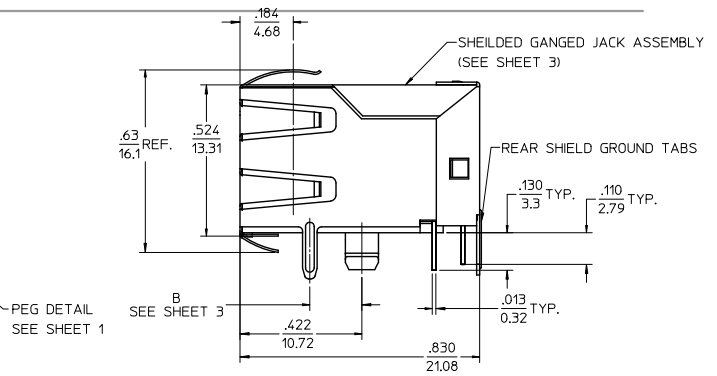
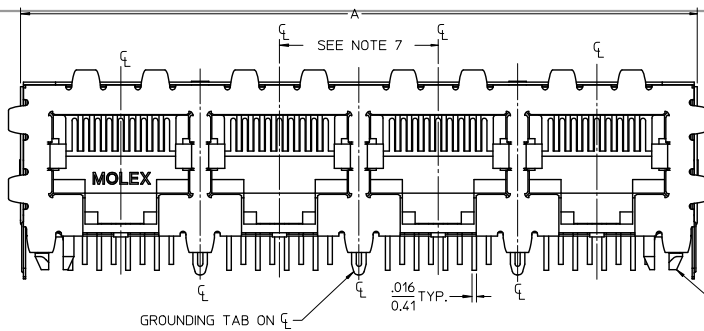
| 6 CIRCUIT HOUSING | | | | |
|-------------------|--------------|------------------|----------------|------------------|
| CIRCUIT SIZE | NO. OF PORTS | DIM. A | DIM. C | DIM. D |
| 6 | 2 | .985 (25.02) | .250 (6.35) | .848 (21.54) |
| 4 | 2 | .985 (25.02) | .150 (3.81) | .848 (21.54) |
| 2 | 2 | .985 (25.02) | .050 (1.27) | .848 (21.54) |
| 6 | 3 | 1.433 (36.40) | .250 (6.35) | 1.296 (32.92) |
| 4 | 3 | 1.433 (36.40) | .150 (3.81) | 1.296 (32.92) |
| 2 | 3 | 1.433 (36.40) | .050 (1.27) | 1.296 (32.92) |
| 6 | 4 | 1.881 (47.78) | .250 (6.35) | 1.744 (44.30) |
| 4 | 4 | 1.881 (47.78) | .150 (3.81) | 1.744 (44.30) |
| 2 | 4 | 1.881 (47.78) | .050 (1.27) | 1.744 (44.30) |
| 6 | 5 | 2.329 (59.16) | .250 (6.35) | 2.192 (55.68) |
| 4 | 5 | 2.329 (59.16) | .150 (3.81) | 2.192 (55.68) |
| 2 | 5 | 2.329 (59.16) | .050 (1.27) | 2.192 (55.68) |
| 6 | 6 | 2.777 (70.54) | .250 (6.35) | 2.640 (67.06) |
| 4 | 6 | 2.777 (70.54) | .150 (3.81) | 2.640 (67.06) |
| 2 | 6 | 2.777 (70.54) | .050 (1.27) | 2.640 (67.06) |
| 6 | 8 | 3.673 (93.29) | .250 (6.35) | 3.536 (89.81) |
| 4 | 8 | 3.673 (93.29) | .150 (3.81) | 3.536 (89.81) |
| 2 | 8 | 3.673 (93.29) | .050 (1.27) | 3.536 (89.81) |

| 8 CIRCUIT HOUSING | | | | |
|-------------------|--------------|-------------------|-----------------|-------------------|
| CIRCUIT SIZE | NO. OF PORTS | DIM. A | DIM. C | DIM. D |
| 10 | 2 | 1.200 (30.48) | .450 (11.43) | 1.000 (25.40) |
| 8 | 2 | 1.200 (30.48) | .350 (8.89) | 1.000 (25.40) |
| 6 | 2 | 1.200 (30.48) | .250 (6.35) | 1.000 (25.40) |
| 10 | 3 | 1.750 (44.45) | .450 (11.43) | 1.550 (39.37) |
| 8 | 3 | 1.750 (44.45) | .350 (8.89) | 1.550 (39.37) |
| 6 | 3 | 1.750 (44.45) | .250 (6.35) | 1.550 (39.37) |
| 4 | 3 | 1.750 (44.45) | .150 (3.81) | 1.550 (39.37) |
| 10 | 4 | 2.300 (58.42) | .450 (11.43) | 2.100 (53.34) |
| 8 | 4 | 2.300 (58.42) | .350 (8.89) | 2.100 (53.34) |
| 4 | 4 | 2.300 (58.42) | .150 (3.81) | 2.100 (53.34) |
| 4 | 5 | 2.850 (72.39) | .150 (3.81) | 2.650 (67.31) |
| 10 | 5 | 2.850 (72.39) | .450 (11.43) | 2.650 (67.31) |
| 8 | 5 | 2.850 (72.39) | .350 (8.89) | 2.650 (67.31) |
| 8 | 5 | 3.400 (86.36) | .450 (11.43) | 3.200 (81.28) |
| 10 | 6 | 3.400 (86.36) | .350 (8.89) | 3.200 (81.28) |
| 8 | 6 | 3.400 (86.36) | .250 (6.35) | 3.200 (81.28) |
| 10 | 8 | 4.500 (114.30) | .450 (11.43) | 4.300 (109.22) |
| 8 | 8 | 4.500 (114.30) | .350 (8.89) | 4.300 (109.22) |

| | | | | | | |
|--|-------------------------------|--|--------------------------|--|---------------------------|------------------------|
| ADD BLOCK TO EC NO: UCP2009-0477 DRWN: J.BELL 2008/09/05 CHKD: J.BELL 2008/09/11 APPR: S.MITH 2008/09/11 K1 | QUALITY SYMBOLS ▽=0 ▽=0 | GENERAL TOLERANCES (UNLESS SPECIFIED) mm INCH 4 PLACES ± --- ± --- 3 PLACES ± --- ± .015 2 PLACES ± 0.38 ± --- 1 PLACE ± --- ± --- ANGULAR ±1/2° | DIMENSION STYLE IN/MM | SCALE 3:1 | DESIGN UNITS INCH | THIRD ANGLE PROJECTION |
| | | DRAWN BY JTR | DATE 1993/10/18 | TITLE LOW PROFILE GANGED, RIGHT ANGLE MODULAR JACK ASSEMBLY | | |
| | | CHECKED BY JTR | DATE 1993/10/18 | MOLEX INCORPORATED | | |
| | | APPROVED BY RAS | DATE 1993/10/18 | MATERIAL NO. SEE SHTS 3 | DOCUMENT NO. SDA-43223 | SHEET NO. 1 OF 6 |

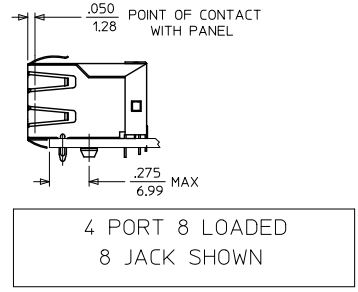
THIS DRAWING CONTAINS INFORMATION THAT IS PROPRIETARY TO MOLEX INCORPORATED AND SHOULD NOT BE USED WITHOUT WRITTEN PERMISSION

13 12 11 10 9 8 7 6 5 4 3 2 1



- NOTES:
- MATERIAL:
 - HOUSING: GLASS FILLED NYLON, UL94V-0, COLOR: BLACK
 - INSULATOR: GLASS FILLED NYLON, UL94V-0, COLOR: BLACK
 - TERMINALS: PHOSPHOR BRONZE: .012/ 0.30 THICK
 - SHIELD: BRASS, FRONT .007/ 0.18 THICK, REAR .010/ 0.25 THICK
 - FINISH:
 - TERMINALS:
 - SELECT GOLD IN CONTACT AREA: 50 MICROINCHES/ 1.27 MICROMETERS MIN.
 - *SELECT TIN IN PC TAIL AREA: 100 MICROINCHES/ 2.54 MICROMETERS MIN., WITH OVERALL NICKEL UNDERPLATE: 50 MICROINCHES/ 1.27 MICROMETERS MIN.
 - SHIELD:
 - *100 MICROINCHES/ 2.54 MICROMETERS NICKEL OVER 50 MICROINCHES/ 1.27 MICROMETERS COPPER UNDERPLATE. PCB GROUND TABS DIPPED IN TIN
 - *THE PRIMARY SHIPPING CARTON WILL BE LABELED "COMPLIANT TO RoHS DIRECTIVE 2002/95/EC AND ELV ANNEX II OF DIRECTIVE 2000/53/EC". CARTONS WITHOUT THIS LABEL MAY CONTAIN PRODUCT WITH TIN-LEAD IN THE PC TAIL AND/OR SHIELD.
 - PRODUCT SPECIFICATION AND PROCESSING PARAMETERS: PS-43223-001.
 - PACKAGING SPECIFICATION:
 - SHIELDED CONNECTOR ASSEMBLIES PACKAGED IN TRAYS PER MOLEX PACKAGING SPECIFICATION PK-44150-004.
 - SEE SHEETS 4-6 FOR P.C. BOARD LAYOUTS.
 - REAR SHIELD IS AVAILABLE WITH (1) CENTERED GROUND TAB ON 4 & 8 PORT VERSIONS.
 - 8 CIRCUIT JACKS CENTERLINE TO CENTERLINE SPACING IS .550/ 13.97.
 - ALL UNTOLERANCED DIMENSIONS ARE SHOWN FOR REFERENCE ONLY.
 - THIS PART CONFORMS TO CLASS B REQUIREMENTS OF COSMETIC SPECIFICATION PS-45499-002.

| HOUSING SIZE | CIRCUIT SIZE | NO. OF PORTS | DIM. A | DIM. C | DIM. D | DIM. E |
|--------------|--------------|--------------|-------------------|----------------|-------------------|-------------------|
| 8 | 8 | 2 | 1.224 (31.09) | .350 (8.89) | 1.000 (25.40) | 1.255 (31.88) |
| 8 | 8 | 4 | 2.324 (59.03) | .350 (8.89) | 2.100 (53.34) | 2.355 (59.82) |
| 8 | 8 | 6 | 3.424 (86.97) | .350 (8.89) | 3.200 (81.28) | 3.455 (87.76) |
| 8 | 8 | 8 | 4.524 (114.91) | .350 (8.89) | 4.300 (109.22) | 4.555 (115.97) |
| 8 | 2 | 8 | 4.524 (114.91) | .050 (1.27) | 4.300 (109.22) | 4.555 (115.97) |



| | | | | | | | | |
|---|-------------------------------|---------------------------------------|--|---|--|---|-------------------|------------------------|
| SEE SHEET 1 EC NO: UCP2009-0477 DRAWN: JELL 2008/09/05 CHKD: JELL 2008/09/11 APPR: SMITH 2008/09/11 K1 | QUALITY SYMBOLS ▽=0 ▽=0 | GENERAL TOLERANCES (UNLESS SPECIFIED) | | DIMENSION STYLE IN/MM | | SCALE 4:1 | DESIGN UNITS INCH | THIRD ANGLE PROJECTION |
| | | 4 PLACES ± --- ± --- | | DRAWN BY JTR DATE 1993/10/18 | | TITLE LOW PROFILE GANGED, RIGHT ANGLE MODULAR JACK ASSEMBLY | | |
| | | 3 PLACES ± --- ± .015 | | CHECKED BY JTR DATE 1993/10/18 | | | | |
| | | 2 PLACES ± 0.38 ± --- | | APPROVED BY RAS DATE 1993/10/18 | | MOLEX INCORPORATED | | |
| 1 PLACE ± --- ± --- | | ANGULAR ± 1/2° | | MATERIAL NO. SEE SHTS 3 | | DOCUMENT NO. SDA-43223 | | SHEET NO. 2 OF 6 |
| DRAFT WHERE APPLICABLE MUST REMAIN WITHIN DIMENSIONS | | | | THIS DRAWING CONTAINS INFORMATION THAT IS PROPRIETARY TO MOLEX INCORPORATED AND SHOULD NOT BE USED WITHOUT WRITTEN PERMISSION | | | | |

13 12 11 10 9 8 7 6 5 4 3 2 1

FLUSH MOUNT (UNSHIELDED)

| ASSEMBLY NUMBER | CONNECTOR SIZE | NUMBER OF CIRCUITS | NUMBER OF PORTS | PACKAGING STYLE | PACKAGING SPECIFICATION |
|-----------------|----------------|--------------------|-----------------|-----------------|-------------------------|
| 43223-6001 | 6 | 6 | 2 | TRAY | PK-43249-004 |
| 43223-6004 | 6 | 6 | 3 | ↑ | ↑ |
| 43223-6007 | 6 | 6 | 4 | ↑ | ↑ |
| 43223-6010 | 6 | 6 | 5 | ↑ | ↑ |
| 43223-6013 | 6 | 6 | 6 | ↑ | ↑ |
| 43223-6019 | 6 | 6 | 8 | ↑ | ↑ |
| 43223-6022 | 6 | 4 | 2 | ↑ | ↑ |
| 43223-6025 | 6 | 4 | 3 | ↑ | ↑ |
| 43223-6028 | 6 | 4 | 4 | ↑ | ↑ |
| 43223-6031 | 6 | 4 | 5 | ↑ | ↑ |
| 43223-6034 | 6 | 4 | 6 | ↑ | ↑ |
| 43223-6040 | 6 | 4 | 8 | ↑ | ↑ |
| 43223-6043 | 6 | 2 | 2 | ↑ | ↑ |
| 43223-6046 | 6 | 2 | 3 | ↑ | ↑ |
| 43223-6049 | 6 | 2 | 4 | ↑ | ↑ |
| 43223-6052 | 6 | 2 | 5 | ↑ | ↑ |
| 43223-6055 | 6 | 2 | 6 | ↑ | ↑ |
| 43223-6058 | 6 | 2 | 8 | TRAY | PK-43249-004 |

FLANGELESS (UNSHIELDED)

| ASSEMBLY NUMBER | CONNECTOR SIZE | NUMBER OF CIRCUITS | NUMBER OF PORTS | PACKAGING STYLE | PACKAGING SPECIFICATION |
|-----------------|----------------|--------------------|-----------------|-----------------|-------------------------|
| 43223-6101 | 6 | 6 | 2 | TRAY | PK-43249-004 |
| 43223-6104 | 6 | 6 | 3 | ↑ | ↑ |
| 43223-6107 | 6 | 6 | 4 | ↑ | ↑ |
| 43223-6110 | 6 | 6 | 5 | ↑ | ↑ |
| 43223-6113 | 6 | 6 | 6 | ↑ | ↑ |
| 43223-6119 | 6 | 6 | 8 | ↑ | ↑ |
| 43223-6122 | 6 | 4 | 2 | ↑ | ↑ |
| 43223-6125 | 6 | 4 | 3 | ↑ | ↑ |
| 43223-6128 | 6 | 4 | 4 | ↑ | ↑ |
| 43223-6131 | 6 | 4 | 5 | ↑ | ↑ |
| 43223-6134 | 6 | 4 | 6 | ↑ | ↑ |
| 43223-6140 | 6 | 4 | 8 | ↑ | ↑ |
| 43223-6143 | 6 | 2 | 2 | ↑ | ↑ |
| 43223-6146 | 6 | 2 | 3 | ↑ | ↑ |
| 43223-6149 | 6 | 2 | 4 | ↑ | ↑ |
| 43223-6152 | 6 | 2 | 5 | ↑ | ↑ |
| 43223-6155 | 6 | 2 | 6 | ↑ | ↑ |
| 43223-6158 | 6 | 2 | 8 | TRAY | PK-43249-004 |

| | | | | | |
|------------|---|----|---|------|--------------|
| 43223-8001 | 8 | 10 | 2 | TRAY | PK-43249-004 |
| 43223-8004 | 8 | 10 | 3 | ↑ | ↑ |
| 43223-8007 | 8 | 10 | 4 | ↑ | ↑ |
| 43223-8010 | 8 | 10 | 5 | ↑ | ↑ |
| 43223-8013 | 8 | 10 | 6 | ↑ | ↑ |
| 43223-8019 | 8 | 10 | 8 | ↑ | ↑ |
| 43223-8022 | 8 | 8 | 2 | ↑ | ↑ |
| 43223-8025 | 8 | 8 | 3 | ↑ | ↑ |
| 43223-8028 | 8 | 8 | 4 | ↑ | ↑ |
| 43223-8031 | 8 | 8 | 5 | ↑ | ↑ |
| 43223-8034 | 8 | 8 | 6 | ↑ | ↑ |
| 43223-8040 | 8 | 8 | 8 | ↑ | ↑ |
| 43223-8041 | 8 | 4 | 5 | ↓ | ↓ |
| 43223-8042 | 8 | 6 | 3 | TRAY | PK-43249-004 |

| | | | | | |
|------------|---|----|---|------|--------------|
| 43223-8101 | 8 | 10 | 2 | TRAY | PK-43249-004 |
| 43223-8104 | 8 | 10 | 3 | ↑ | ↑ |
| 43223-8107 | 8 | 10 | 4 | ↑ | ↑ |
| 43223-8110 | 8 | 10 | 5 | ↑ | ↑ |
| 43223-8113 | 8 | 10 | 6 | ↑ | ↑ |
| 43223-8119 | 8 | 10 | 8 | ↑ | ↑ |
| 43223-8122 | 8 | 8 | 2 | ↑ | ↑ |
| 43223-8131 | 8 | 8 | 3 | ↑ | ↑ |
| 43223-8140 | 8 | 8 | 4 | ↑ | ↑ |
| 43223-8149 | 8 | 8 | 5 | ↑ | ↑ |
| 43223-8158 | 8 | 8 | 6 | ↓ | ↓ |
| 43223-8176 | 8 | 8 | 8 | TRAY | PK-43249-004 |

| | | | | | |
|------------|---|---|---|------|--------------|
| 43223-8191 | 8 | 6 | 2 | TUBE | PK-43249-005 |
| 43223-8192 | 8 | 4 | 4 | TUBE | PK-43249-005 |
| 43223-8193 | 8 | 4 | 3 | TUBE | PK-43249-005 |
| 43223-8195 | 8 | 8 | 2 | TUBE | PK-43249-005 |
| 43223-8196 | 8 | 8 | 3 | TUBE | PK-43249-005 |
| 43223-8197 | 8 | 8 | 4 | TUBE | PK-43249-005 |

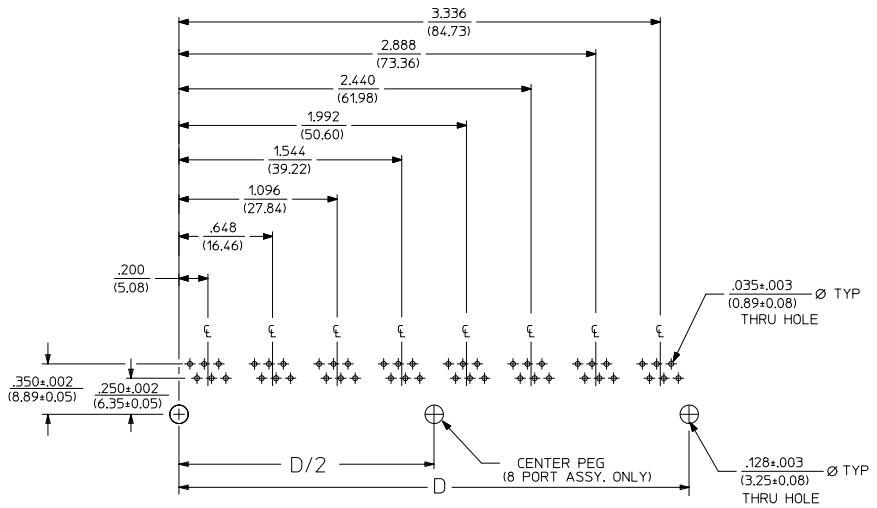
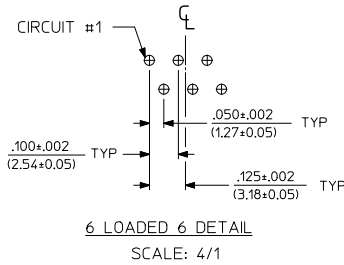
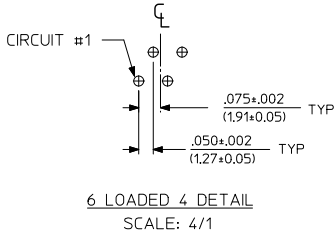
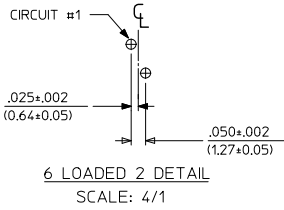
FLANGELESS (SHIELDED)

| ASSEMBLY NUMBER | DIMENSION "B" | CONNECTOR SIZE | NUMBER OF CIRCUITS | NUMBER OF PORTS | NUMBER OF REAR SHIELD GROUND TABS | PACKAGING STYLE | PACKAGING SPECIFICATION |
|-----------------|---------------|----------------|--------------------|-----------------|-----------------------------------|-----------------|-------------------------|
| 43223-8128 | .180 | 8 | 8 | 2 | 1 | TRAY | PK-44150-004 |
| 43223-8146 | .180 | 8 | 8 | 4 | 3 | ↑ | ↑ |
| 43223-8164 | .180 | 8 | 8 | 6 | 5 | ↑ | ↑ |
| 43223-8182 | .180 | 8 | 8 | 8 | 7 | ↑ | ↑ |
| 43223-8185 | .180 | 8 | 8 | 8 | 1 | ↓ | ↓ |
| 43223-8188 | .180 | 8 | 8 | 4 | 1 | ↓ | ↓ |
| 43223-8194 | .180 | 8 | 2 | 8 | 7 | TRAY | PK-44150-004 |

| | | | | | | | |
|------------|------|---|---|---|---|------|--------------|
| 43223-8301 | .145 | 8 | 8 | 2 | 1 | TRAY | PK-44150-004 |
| 43223-8302 | .145 | 8 | 8 | 4 | 3 | ↑ | ↑ |
| 43223-8303 | .145 | 8 | 8 | 6 | 5 | ↑ | ↑ |
| 43223-8304 | .145 | 8 | 8 | 8 | 7 | ↑ | ↑ |
| 43223-8305 | .145 | 8 | 8 | 8 | 1 | ↓ | ↓ |
| 43223-8306 | .145 | 8 | 8 | 4 | 1 | ↓ | ↓ |
| 43223-8307 | .145 | 8 | 2 | 8 | 7 | TRAY | PK-44150-004 |

SNAP FIT PEG VERSIONS

| | | | | | | | |
|---|-------------------------------|---|--|---|--|------------------------|--|
| SEE SHEET 1 EC NO: UCP2009-0477 DRWN: J.BELL 2008/09/11 CHKD: J.BELL 2008/09/11 APPR: S.M.T.H. 2008/09/11 K1 | QUALITY SYMBOLS ▽=0 ▽=0 | GENERAL TOLERANCES (UNLESS SPECIFIED) mm INCH | DIMENSION STYLE IN/MM | SCALE 2:1 | DESIGN UNITS INCH | THIRD ANGLE PROJECTION | |
| | | 4 PLACES ± --- ± --- 3 PLACES ± --- ± .015 2 PLACES ± 0.38 ± --- 1 PLACE ± --- ± --- ANGULAR ± 1/2° | DRAWN BY JTR DATE 1993/10/18 | CHECKED BY JTR DATE 1993/10/18 | TITLE LOW PROFILE GANGED, RIGHT ANGLE MODULAR JACK ASSEMBLY | | |
| | | DRAFT WHERE APPLICABLE MUST REMAIN WITHIN DIMENSIONS | APPROVED BY RAS DATE 1993/10/18 | MATERIAL NO. SEE CHART | DOCUMENT NO. SDA-43223 | SHEET NO. 3 OF 6 | |
| | | THIS DRAWING CONTAINS INFORMATION THAT IS PROPRIETARY TO MOLEX INCORPORATED AND SHOULD NOT BE USED WITHOUT WRITTEN PERMISSION | | | | | |

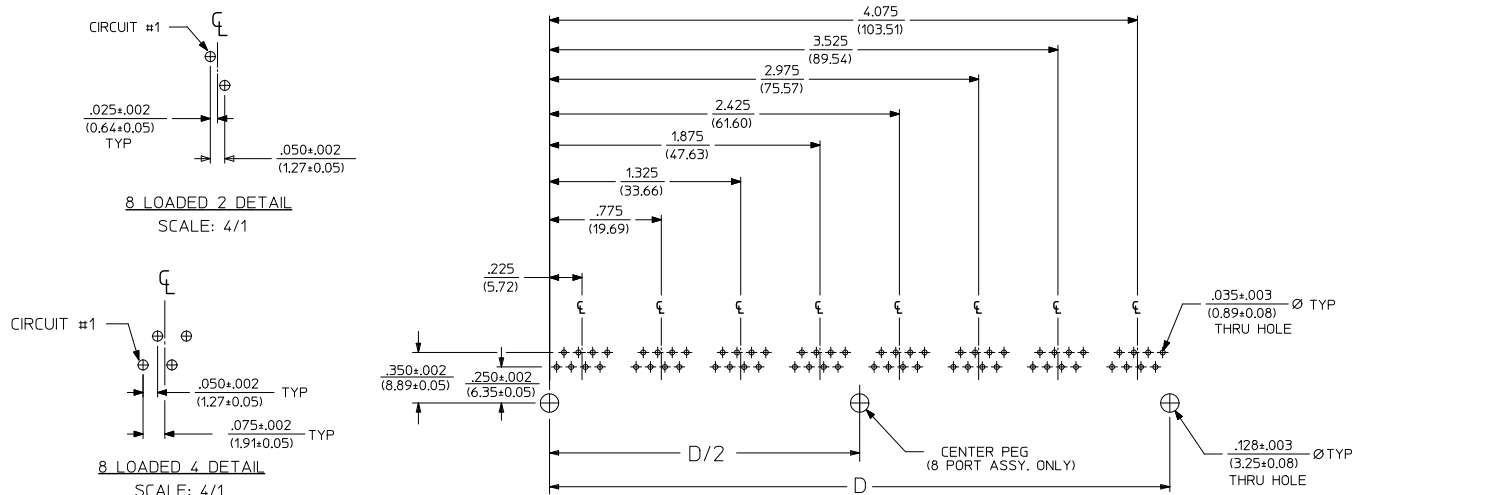


SUGGESTED P.C. BOARD LAYOUT
COMPONENT SIDE OF BOARD
8 PORT, 6 LOADED 6, LAYOUT SHOWN
(SNAP-FIT VERSIONS)

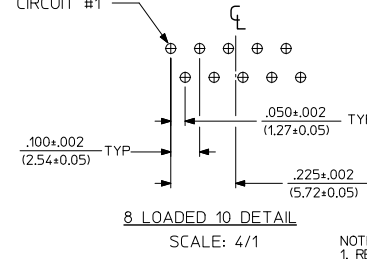
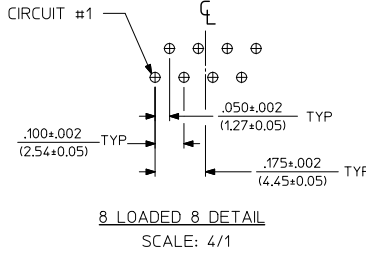
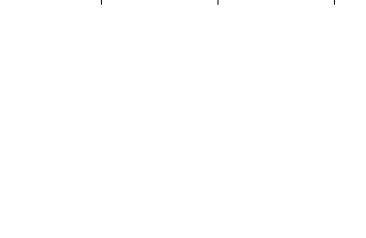
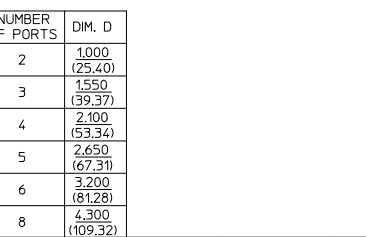
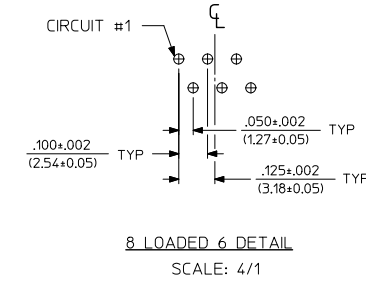
NOTES:
1. RECOMMENDED PCB THICKNESS: .062±.005/(1.57±0.13)

| NUMBER OF PORTS | DIM. D |
|-----------------|---------------|
| 2 | .848 (21.54) |
| 3 | 1.296 (32.92) |
| 4 | 1.744 (44.30) |
| 5 | 2.192 (55.68) |
| 6 | 2.640 (67.06) |
| 8 | 3.536 (89.81) |

| | | | | | | | | | |
|---|-------------------------------|---|-----------------------|-----------------------|-----------------|---|------------------------|------------------------|--|
| SEE SHEET 1 EC NO: UCP2009-0477 DRAWN: J.BELL 2008/09/05 CHKD: J.BELL 2008/09/11 APPROV: M.T.H. 2008/09/11 K1 REV | QUALITY SYMBOLS ▽=0 ▽=0 | GENERAL TOLERANCES (UNLESS SPECIFIED) | | DIMENSION STYLE IN/MM | | SCALE 2:1 | DESIGN UNITS INCH | THIRD ANGLE PROJECTION | |
| | | 4 PLACES ± --- ± --- | 3 PLACES ± --- ± .015 | DRAWN BY JTR | DATE 1993/10/18 | TITLE LOW PROFILE GANGED, RIGHT ANGLE MODULAR JACK ASSEMBLY | | | |
| | | 2 PLACES ± 0.38 ± --- | 1 PLACE ± --- ± --- | CHECKED BY JTR | DATE 1993/10/18 | MOLEX INCORPORATED | | | |
| | | ANGULAR ±1/2° | | APPROVED BY RAS | DATE 1993/10/18 | MATERIAL NO. SEE SHT 3 | DOCUMENT NO. SDA-43223 | SHEET NO. 4 OF 6 | |
| DRAFT WHERE APPLICABLE MUST REMAIN WITHIN DIMENSIONS | | THIS DRAWING CONTAINS INFORMATION THAT IS PROPRIETARY TO MOLEX INCORPORATED AND SHOULD NOT BE USED WITHOUT WRITTEN PERMISSION | | | | | | | |



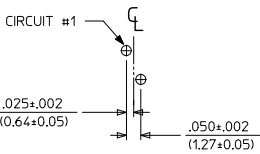
SUGGESTED P.C. BOARD LAYOUT
COMPONENT SIDE OF BOARD
8 PORT, 8 LOADED 8
(SNAP-FIT VERSIONS)



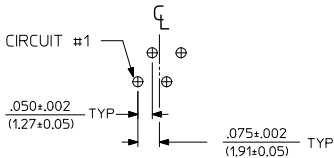
NOTES:
 1. RECOMMENDED PCB THICKNESS: .062±.005(1.57±0.13)

| NUMBER OF PORTS | DIM. D |
|-----------------|----------------|
| 2 | 1.000 (25.40) |
| 3 | 1.550 (39.37) |
| 4 | 2.100 (53.34) |
| 5 | 2.650 (67.31) |
| 6 | 3.200 (81.28) |
| 8 | 4.300 (109.32) |

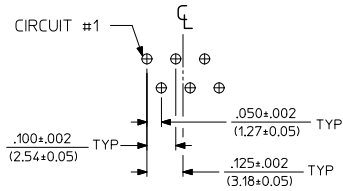
| | | | | | | | |
|---|-------------------------------|---|---|--|--|---|------------------|
| SEE SHEET 1 EC NO: UCP2009-0477 DRWN: J.BELL 2008/09/05 CHKD: J.BELL 2008/09/11 APPR: S.MITH 2008/09/11 K1 | QUALITY SYMBOLS ▽=0 ▽=0 | GENERAL TOLERANCES (UNLESS SPECIFIED) mm INCH 4 PLACES ± --- ± --- 3 PLACES ± --- ± .015 2 PLACES ± 0.38 ± --- 1 PLACE ± --- ± --- ANGULAR ± 1/2° | DIMENSION STYLE IN/MM DRAWN BY JTR DATE 1993/10/18 CHECKED BY JTR DATE 1993/10/18 APPROVED BY RAS DATE 1993/10/18 | SCALE 2:1 DESIGN UNITS INCH THIRD ANGLE PROJECTION | TITLE LOW PROFILE GANGED, RIGHT ANGLE MODULAR JACK ASSEMBLY | MATERIAL NO. SEE SHT 3 DOCUMENT NO. SDA-43223 | SHEET NO. 5 OF 6 |
| | | DRAFT WHERE APPLICABLE MUST REMAIN WITHIN DIMENSIONS | | MOLEX INCORPORATED | | THIS DRAWING CONTAINS INFORMATION THAT IS PROPRIETARY TO MOLEX INCORPORATED AND SHOULD NOT BE USED WITHOUT WRITTEN PERMISSION | |



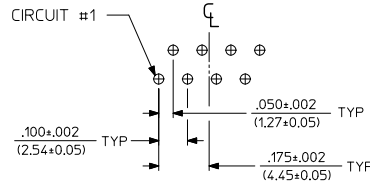
8 LOADED 2 DETAIL
SCALE: 4/1



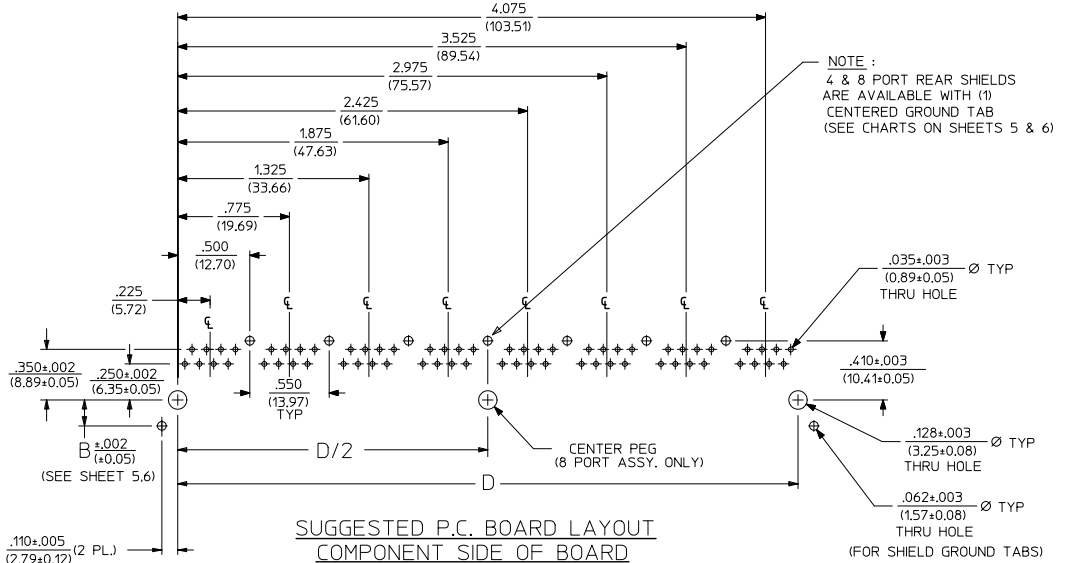
8 LOADED 4 DETAIL
SCALE: 4/1



8 LOADED 6 DETAIL
SCALE: 4/1



8 LOADED 8 DETAIL
SCALE: 4/1



NOTE:
4 & 8 PORT REAR SHIELDS
ARE AVAILABLE WITH (1)
CENTERED GROUND TAB
(SEE CHARTS ON SHEETS 5 & 6)

SUGGESTED P.C. BOARD LAYOUT
COMPONENT SIDE OF BOARD
8 PORT, 8 LOADED 8
(SHIELDED) LAYOUT SHOWN
(SNAP-FIT VERSIONS)

NOTES:
1. RECOMMENDED PCB THICKNESS: .062±.005/(1.57±0.13)

| NUMBER OF PORTS | DIM. D |
|-----------------|----------------|
| 2 | 1.000 (25.40) |
| 4 | 2.100 (53.34) |
| 6 | 3.200 (81.28) |
| 8 | 4.300 (109.32) |

| QUALITY SYMBOLS | GENERAL TOLERANCES (UNLESS SPECIFIED) | | DIMENSION STYLE | | SCALE | DESIGN UNITS | THIRD ANGLE PROJECTION |
|-----------------|--|-------|-----------------|------------|---|--------------|------------------------|
| | mm | INCH | IN/MM | | 2:1 | INCH | |
| ▽=0 | 4 PLACES ±--- | ±--- | DRAWN BY | DATE | LOW PROFILE GANGED, RIGHT ANGLE MODULAR JACK ASSEMBLY MOLEX INCORPORATED | | |
| ▽=0 | 3 PLACES ±--- | ±.015 | JTR | 1993/10/18 | | | |
| | 2 PLACES ±0.38 | ±--- | CHECKED BY | DATE | | | |
| | 1 PLACE ±--- | ±--- | JTR | 1993/10/18 | | | |
| | ANGULAR ±1/2° | | APPROVED BY | DATE | MATERIAL NO. | DOCUMENT NO. | SHEET NO. |
| | DRAFT WHERE APPLICABLE MUST REMAIN WITHIN DIMENSIONS | | RAS | 1993/10/18 | SEE SHT 3 | SDA-43223 | 6 OF 6 |
| | <small>THIS DRAWING CONTAINS INFORMATION THAT IS PROPRIETARY TO MOLEX INCORPORATED AND SHOULD NOT BE USED WITHOUT WRITTEN PERMISSION</small> | | | | | | |