

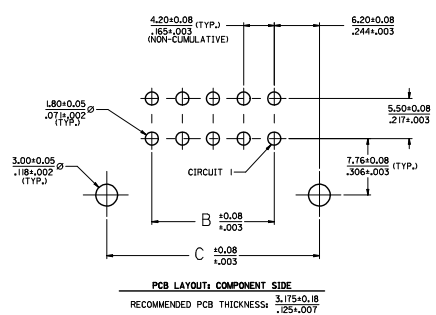
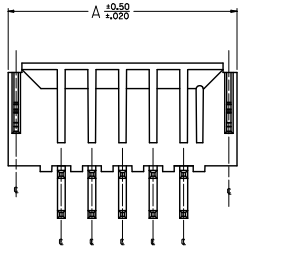
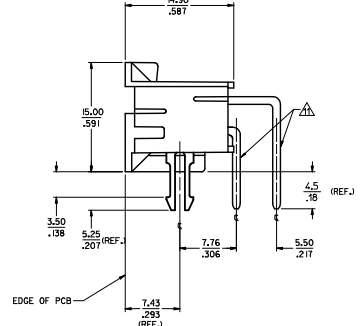
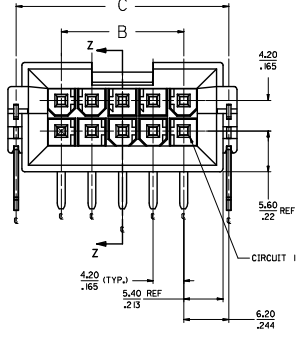
## **Excellent Integrated System Limited**

Stocking Distributor

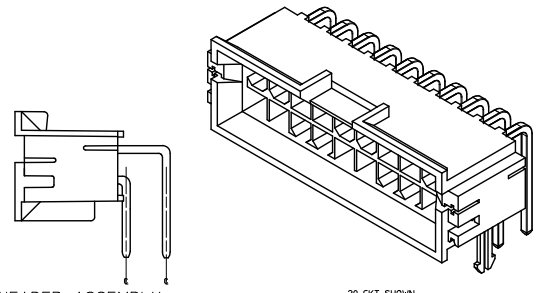
Click to view price, real time Inventory, Delivery & Lifecycle Information:

[Molex Connector Corporation](#)  
[0438100338](#)

For any questions, you can email us directly:  
[sales@integrated-circuit.com](mailto:sales@integrated-circuit.com)



- NOTES
- MATERIALS  
HOUSING: NYLON 4/6 UL 94V-0 GLASS FILLED, COLOR: BLACK  
TERMINAL: BRASS  
BOARD RETENTION CLIP: BRASS
  - FINISHES:  
TERMINAL:  
1-(0.00254)/.000100 MIN. BRIGHT TIN OVER  
(0.00127)/.000050 MIN. NICKEL  
2-(0.00076)/.000030 MIN. SELECT GOLD AND  
(0.00254)/.000100 MIN. SELECT MATTE TIN  
OVER (0.00127)/.000050 MIN. NICKEL OVERALL  
MOUNTING CLIP:  
(0.00254)/.000100 MIN. MATTE TIN OVER  
(0.00127)/.000050 MIN. NICKEL
  - PRODUCT SPECIFICATION: PS-43810-001
  - PACKAGING SPECIFICATION: PK-43810-001
  - PARTS MATES WITH MOLEX REFLECTOR #5557 AND #42474 AND #42385 HEADER
  - PART ALLOWS FOR (1.27)/.050 MAX MIS-ALIGNMENT WITH MATING HOUSINGS IN ANY DIRECTION
  - CONNECTOR ASSEMBLIES ARE NOT TO BE MATED AND UNMATED WHILE CIRCUITS ARE LIVE
  - PARTS ARE NOT DESIGNED FOR CURRENT SHARING
  - DISCOLORATION IN THE BANDOLIER CARRIER AREA OF THE PIN IS INHERENT TO THE PLATING PROCESS AND IS DUE TO THE MASKING EFFECT OF THE CARRIER. THIS DISCOLORATION IS IN A NON-FUNCTIONAL AREA OF THE PIN AND WILL NOT AFFECT THE PERFORMANCE OF THE HEADER ASSEMBLY.
  - PART CONFORMS TO CLASS 'B' REQUIREMENTS OF COSMETIC SPECIFICATION PS-45499-002
  - FORMING MARKS ARE ACCEPTABLE



HEADER ASSEMBLY WITH NO CLIP OPTION

20 CKT SHOWN

CORRECT TAIL LENGTH EC NO. IEP206-0526 DRAWN/MONT CHKD/BELL APPROVED DATE 2015/08/07 2015/08/07	QUALITY SYMBOLS ∇=0 ∇=0 ∇=0	GENERAL TOLERANCES (UNLESS SPECIFIED)		DIMENSION STYLE		SCALE	DESIGN UNITS	THIRD ANGLE	
		mm	INCH	MM/IN	DATE	4:1	METRIC	PROJECTION	
	4 PLACES ±---		±.010	DRAWN BY	01-06-97				
	3 PLACES ±---		±.014	CHECKED BY	DATE				
	2 PLACES ±0.25		±---	BANDURA	03-26-97				
	1 PLACE ±0.35		±---	APPROVED BY	DATE				
	ANGULAR ±1/2°		±---	FSMITH	2012/10/11/13				
	DRAFT WHERE APPLICABLE MUST REMAIN WITHIN DIMENSIONS			MATERIAL NO.	DOCUMENT NO.				
				SEE CHART	SD-43810-051				
				THIS DRAWING CONTAINS INFORMATION THAT IS PROPRIETARY TO MOLEX INCORPORATED AND SHOULD NOT BE USED WITHOUT WRITTEN PERMISSION					

MATERIAL NO.	CIRCUIT SIZE	CLIP OPTION	DIM. A1	DIM. B1	DIM. C1	FINISH	MATERIAL NO.	CIRCUIT SIZE	CLIP OPTION	DIM. A1	DIM. B1	DIM. C1	FINISH
438 IO-0089	4	YES	18.81 .740	4.20 .165	16.60 .653	I	438 IO-0331	4	NO	18.81 .740	4.20 .165	16.60 .653	I
438 IO-0090	6	YES	23.01 .906	8.40 .331	20.80 .819	I	438 IO-0332	6	NO	23.01 .906	8.40 .331	20.80 .819	I
438 IO-0091	8	YES	27.21 1.071	12.60 .496	25.00 .984	I	438 IO-0333	8	NO	27.21 1.071	12.60 .496	25.00 .984	I
438 IO-0092	10	YES	31.41 1.237	16.80 .661	29.20 1.150	I	438 IO-0334	10	NO	31.41 1.237	16.80 .661	29.20 1.150	I
438 IO-0093	12	YES	35.61 1.402	21.00 .828	33.40 1.315	I	438 IO-0335	12	NO	35.61 1.402	21.00 .828	33.40 1.315	I
438 IO-0094	14	YES	39.81 1.567	25.20 .992	37.60 1.480	I	438 IO-0336	14	NO	39.81 1.567	25.20 .992	37.60 1.480	I
438 IO-0095	16	YES	44.01 1.733	29.40 1.157	41.80 1.646	I	438 IO-0337	16	NO	44.01 1.733	29.40 1.157	41.80 1.646	I
438 IO-0096	18	YES	48.21 1.898	33.60 1.323	46.00 1.811	I	438 IO-0338	18	NO	48.21 1.898	33.60 1.323	46.00 1.811	I
438 IO-0097	20	YES	52.41 2.063	37.80 1.488	50.20 1.976	I	438 IO-0339	20	NO	52.41 2.063	37.80 1.488	50.20 1.976	I
438 IO-0098	22	YES	56.61 2.229	42.00 1.654	54.40 2.142	I	438 IO-0340	22	NO	56.61 2.229	42.00 1.654	54.40 2.142	I
438 IO-0099	24	YES	60.81 2.394	46.20 1.819	58.60 2.307	I	438 IO-0341	24	NO	60.81 2.394	46.20 1.819	58.60 2.307	I
438 IO-0100	4	YES	18.81 .740	4.20 .165	16.60 .653	2	438 IO-0342	4	NO	18.81 .740	4.20 .165	16.60 .653	2
438 IO-0101	6	YES	23.01 .906	8.40 .331	20.80 .819	2	438 IO-0343	6	NO	23.01 .906	8.40 .331	20.80 .819	2
438 IO-0102	8	YES	27.21 1.071	12.60 .496	25.00 .984	2	438 IO-0344	8	NO	27.21 1.071	12.60 .496	25.00 .984	2
438 IO-0103	10	YES	31.41 1.237	16.80 .661	29.20 1.150	2	438 IO-0345	10	NO	31.41 1.237	16.80 .661	29.20 1.150	2
438 IO-0104	12	YES	35.61 1.402	21.00 .828	33.40 1.315	2	438 IO-0346	12	NO	35.61 1.402	21.00 .828	33.40 1.315	2
438 IO-0105	14	YES	39.81 1.567	25.20 .992	37.60 1.480	2	438 IO-0347	14	NO	39.81 1.567	25.20 .992	37.60 1.480	2
438 IO-0106	16	YES	44.01 1.733	29.40 1.157	41.80 1.646	2	438 IO-0348	16	NO	44.01 1.733	29.40 1.157	41.80 1.646	2
438 IO-0107	18	YES	48.21 1.898	33.60 1.323	46.00 1.811	2	438 IO-0349	18	NO	48.21 1.898	33.60 1.323	46.00 1.811	2
438 IO-0108	20	YES	52.41 2.063	37.80 1.488	50.20 1.976	2	438 IO-0350	20	NO	52.41 2.063	37.80 1.488	50.20 1.976	2
438 IO-0109	22	YES	56.61 2.229	42.00 1.654	54.40 2.142	2	438 IO-0351	22	NO	56.61 2.229	42.00 1.654	54.40 2.142	2
438 IO-0110	24	YES	60.81 2.394	46.20 1.819	58.60 2.307	2	438 IO-0352	24	NO	60.81 2.394	46.20 1.819	58.60 2.307	2

N\* NOT TOOLED

SEE SHEET 1 EC NO. 0438100338 DRAWN: MONTI CHECKED: BELL APPROVED: [Signature] DATE: 2015/08/07 DATE: 2015/08/07 DATE: 2015/07/12	QUALITY SYMBOLS ∇=0 ∇=0 ∇=0	GENERAL TOLERANCES (UNLESS SPECIFIED) 4 PLACES ±.005 3 PLACES ±.010 2 PLACES ±.025 1 PLACE ±.035 ANGULAR ±1/2°	DIMENSION STYLE MM/IN DRAWN BY: MAN.PAZ DATE: 01-06-97 CHECKED BY: BANDURA DATE: 03-26-97 APPROVED BY: FSM.IH DATE: 2012/01/19	SCALE 1:1	DESIGN UNITS METRIC	THIRD ANGLE PROJECTION	TITLE MINI-FIT JR BM RIGHT ANGLE HEADER ASM FOR 3.175/1.125 THK PCB	MATERIAL NO. SEE CHART	DOCUMENT NO. SD-43810-051	SHEET NO. 2 OF 2
	DRAFT WHERE APPLICABLE MUST REMAIN WITHIN DIMENSIONS									
	THIS DRAWING CONTAINS INFORMATION THAT IS PROPRIETARY TO MOLEX INCORPORATED AND SHOULD NOT BE USED WITHOUT WRITTEN PERMISSION									
	MOLEX MOLEX INCORPORATED									